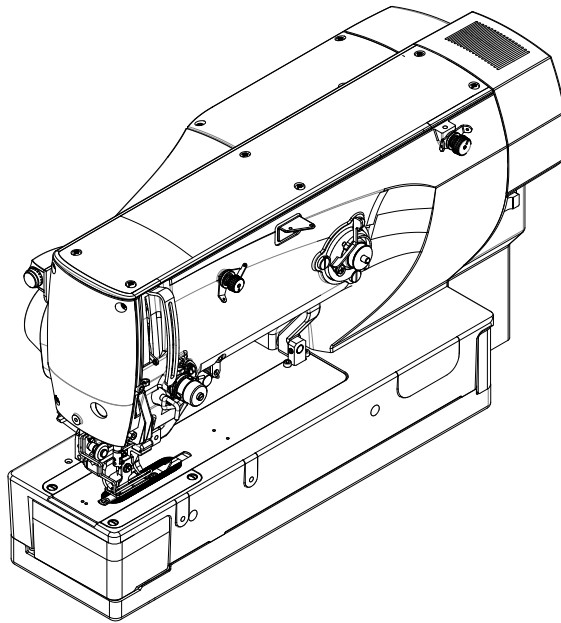

在使用机器之前请阅读本零件手册。
请将本零件手册放在便于查阅的地方保管。
Please read this parts book before using the machine.
Please keep this parts book within easy reach for quick reference.

高速电子平扣眼锁眼缝纫机 Compuer-controlled,High-speed,Lockstitch Buttonling Machine



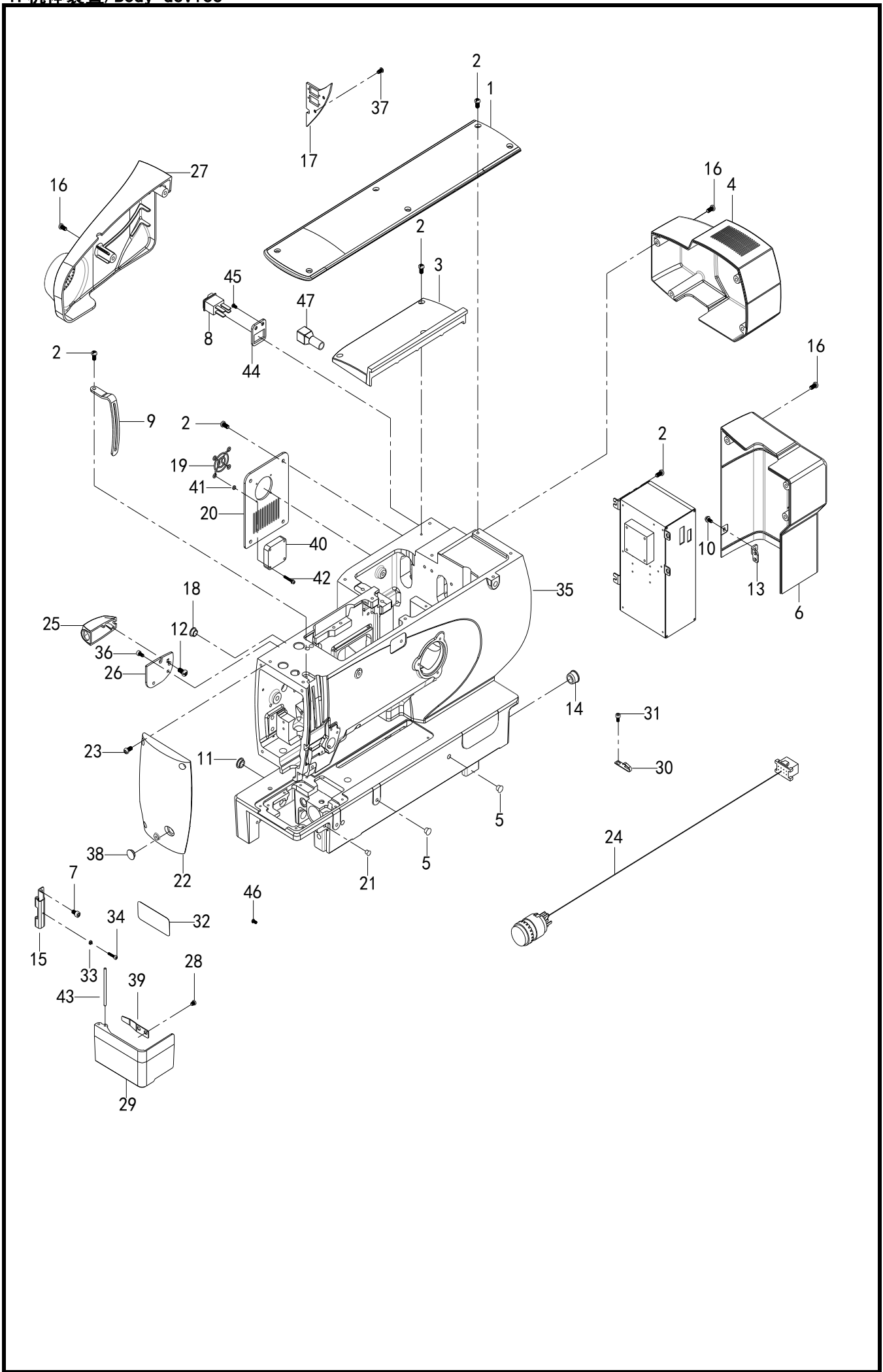
目 录

1 机体装置	1
2 穿线装置	3
3 上轴装置	5
4 下轴装置	7
5 压脚、送料装置	9
6 针杆摇动装置	13
7 上剪线装置	15
8 下剪线装置	19
9 切刀装置	23
10 电控箱装置	25
11 操作屏装置	27
12 附件	29
13 线架装置装置	31
14 特殊类型装置	33

CONTENTS

1 Body device.....	1
2 Threading device.....	3
3 Upper shaft device.....	5
4 Lower shaft device.....	7
5 Presser foot, feeding device.....	9
6 Needle bar rocking device.....	13
7 Upper trimming device.....	15
8 Lower thread trimming device.....	19
9 Cutter device.....	23
10 Electric control box device.....	25
11 Operation screen device.....	27
12 Appendix.....	29
13 Wire rack device parts.....	31
14 Special type parts.....	33

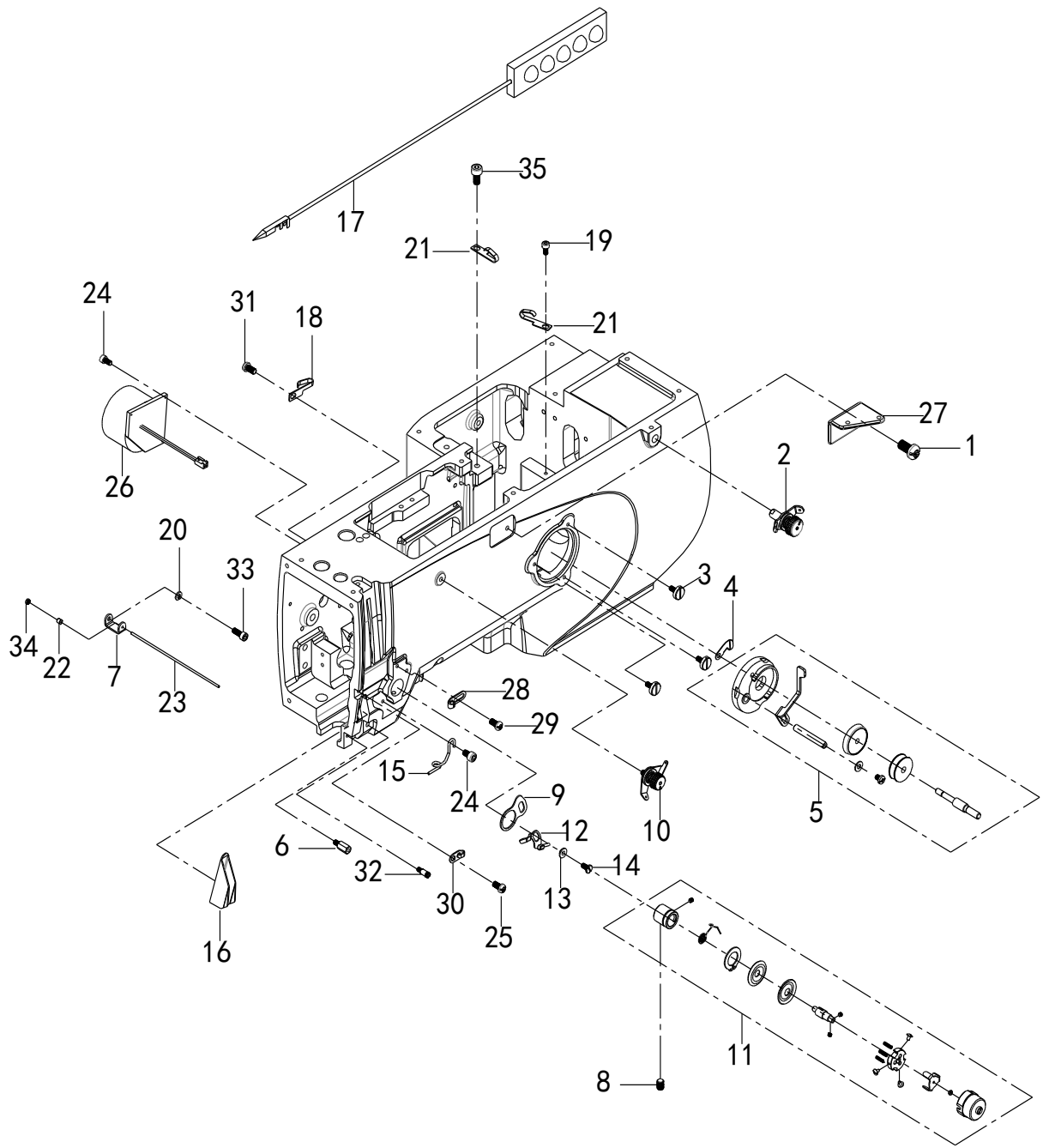
1. 机体装置/Body device



1. 机体装置/Body device

NO	零部件号	数量	零部件名称	NAME OF PARTS	老助记码
1	10706630	1	上盖A	COVER A	
2	01405100	18	十字盘头螺钉M5X10	CROSS PAN HEAD SCREW M5X10	
3	10706640	1	上盖B	COVER B	
4	10712090	1	后罩A	COVER AFTER A	
5	13100660	2	橡皮塞8	RUBBER PLUG 8	
6	10712070	1	后罩B	ELECTRIC CONTROL HOUSINGS	
7	01205060	2	内六角螺栓（镀镍）M5X6	HEXAGON SOCKET BOLT (NICKEL PLATED) M5X6	
8	10386570	1	船型开关/R9D8KKET00F10（540）	SHIP SWITCH /R9D8KKET00F10（540）	
9	10707260	1	挑线杆防护罩	POLE GUARD	
10	01504105	1	十字盘头螺钉（带垫圈）M4X10DA	CROSS PAN HEAD SCREW (WITH WASHER)M4X10DA	
11	13100360	1	橡皮塞15.5	RUBBER PLUG 15.5	
12	10742180	2	十字沉头自攻螺钉ST3X10	CROSS COUNTERSUNK HEAD TAPPING SCREWS ST3X10	
13	10707270	1	罩壳支架	COVER BRACKET	
14	13100680	1	橡皮塞17	RUBBER PLUG 17	
15	13100200	1	防护板固定板	GUARD PLATE FIXED PLATE	
16	00705125	9	十字盘头螺钉M5X12		
17	10692550	1	后盖板	HOUGAIBAN	
18	13100300	2	橡皮塞10.5	RUBBER PLUG 10.5	
19	13100840	1	风扇防护网	FAN SHIELD	
20	10692540	1	侧盖板	THE SIDE COVER	
21	13100240	1	橡皮塞5.5	RUBBER PLUG 5.5	
22	10706670	1	前板面	FRONT PANEL	
23	01405100	3	十字盘头螺钉M5X10	CROSS PAN HEAD SCREW M5X10	
24	10750700	1	急停开关线	EMERGENCY STOP SWITCH LINE	
25	10814820	1	急停护罩	SCRAM HOUSINGS	
26	10707290	1	急停罩壳安装板	EMERGENCY STOP HOUSING MOUNTING PLATE	
27	10814810	1	侧护罩	THE SIDE COVER	
28	01404051	1	一十字螺钉（黑色）SM4.34X5	ONE CROSS SCREW (BLACK) SM4.34X5	
29	13100160	1	旋梭防护板	SHUTTLE GUARD PLATE	
30	13100140	1	油管固定架	TUBING BRACKET	
31	01204085	1	内六角螺栓M4X8	HEXAGON SOCKET BOLT M4X8	
32	13100180	1	穿线标签	THREADING LABEL	
33	00403250	1	螺母M3	NUT M3	
34	01203140	1	内六角螺栓（镀镍）M3X14	HEXAGON SOCKET BOLT (NICKEL PLATED) M3X14	
35	10708040	1	1790新款机壳	1790 NEW CASE	
36	01204085	2	内六角螺栓M4X8	HEXAGON SOCKET BOLT M4X8	
37	01204080	2	内六角平圆头螺钉M4X8	HEXAGON SOCKET FLAT ROUND HEAD SCREWS M4X8	
38	13100340	1	橡皮塞12.5	RUBBER PLUG 12.5	
39	13100190	1	弹簧片	LEAF SPRING	
40	10772820	1	风扇	FAN	
41	02000081	4	螺母（镀镍）M3	NUT (NICKEL PLATED) M3	
42	01203140	4	内六角螺栓（镀镍）M3X14	HEXAGON SOCKET BOLT (NICKEL PLATED) M3X14	
43	13100170	1	防护板固定板轴	GUARD PLATE FIXED PLATE SHAFT	
44	10794850	1	开关安装板	SWITCH MOUNTING PLATE	
45	01104080	2	一字沉头螺钉M4X8.7	FLAT COUNTERSUNK HEAD SCREW M4X8.7	
46	02000045	1	一字针杆连接螺钉（黑色）	HEAD BAR CONNECTION SCREW (BLACK)	
47	10809980	1	橡胶护套	RUBBER SHEATH	

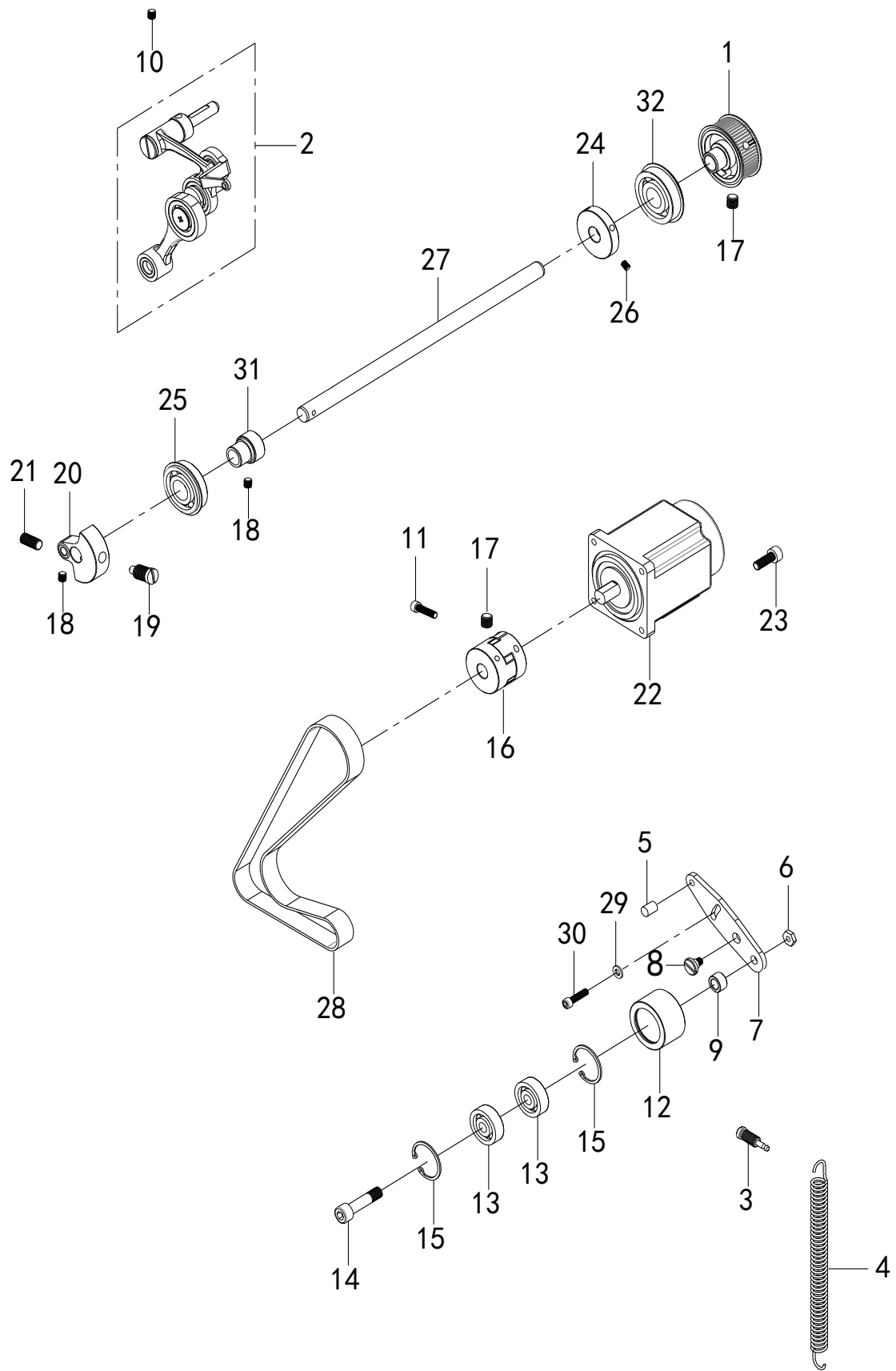
2. 穿线装置/Threading device



2. 穿线装置/Threading device

NO	零部件号	数量	零部件名称	NAME OF PARTS	老助记码
1	01405100	1	十字盘头螺钉M5X10	PHILLIPS PAN HEAD SCREW M5X10	
2	10707390	1	小夹线器	SMALL THREAD CLAMP	
3	02000043	3	一字平头螺钉M4X10	SLOTTED FLAT HEAD SCREW M4X10	
4	10707380	1	切线刀	THREAD CUTTER	
5	13100920	1	绕线器组件	1790DS WINDER	
6	13104070	1	定位螺钉M4	SET SCREW M4	
7	10668890	1	拉杆支架	TIE ROD BRACKET	
8	00806060	1	内紧定螺钉M6X6	SET SCREW M6X6	
9	15202450	1	导板	GUIDES	
10	13100420	1	张力控制组件	TENSION CONTROL COMPONENTS	
11	10669240	1	紧线器组件	TIGHTER ASSEMBLY	
12	10772580	1	断线感应器	DISCONNECTION SENSOR	
13	15204180	1	尼龙垫片	NYLON GASKET	
14	01904085	1	一字平头螺钉M4X8	SLOTTED FLAT HEAD SCREW M4X8	
15	13100700	1	过线钩	THREAD HOOK	
16	13100970	1	导线槽	WIRE TROUGH	
17	10752070	1	LED灯	LED LIGHTS	
18	13100830	1	铁线夹	IRON CLAMP	
19	01204060	2	内六角螺栓M4X6	HEXAGON SOCKET BOLT M4X6	
20	00604001	1	弹簧垫圈4	SPRING WASHER 4	
21	13100140	2	油管固定架	TUBING HOLDER	
22	10669210	1	卡圈	COLLAR	
23	10668880	1	拉杆	TIE ROD	
24	01205080	3	内六角螺栓M5X8	HEXAGON SOCKET BOLT M5X8	
25	00705080	1	十字盘头螺钉M5X8	PHILLIPS PAN HEAD SCREW M5X8	
26	10772870	1	夹线电磁铁	CLAMPING SOLENOID	
27	10101940	1	过线导向	THREAD GUIDE	
28	13100720	1	过线导向A	THREAD GUIDE A	
29	00705080	1	十字盘头螺钉M5X8	PHILLIPS PAN HEAD SCREW M5X8	
30	13100710	1	过线导向B	THREAD GUIDE B	
31	00705080	1	十字盘头螺钉M5X8	PHILLIPS PAN HEAD SCREW M5X8	
32	13104280	1	缓线钩定位螺钉(镀镍)	SLOW WIRE HOOK POSITIONING SCREW	
33	01304071	1	外六角螺栓M4X7	HEXAGON BOLT M4X7	
34	10001002	1	螺母M2	NUT M2	
35	01206100	1	内六角螺栓M6X10	HEXAGON SOCKET BOLT M6X10	

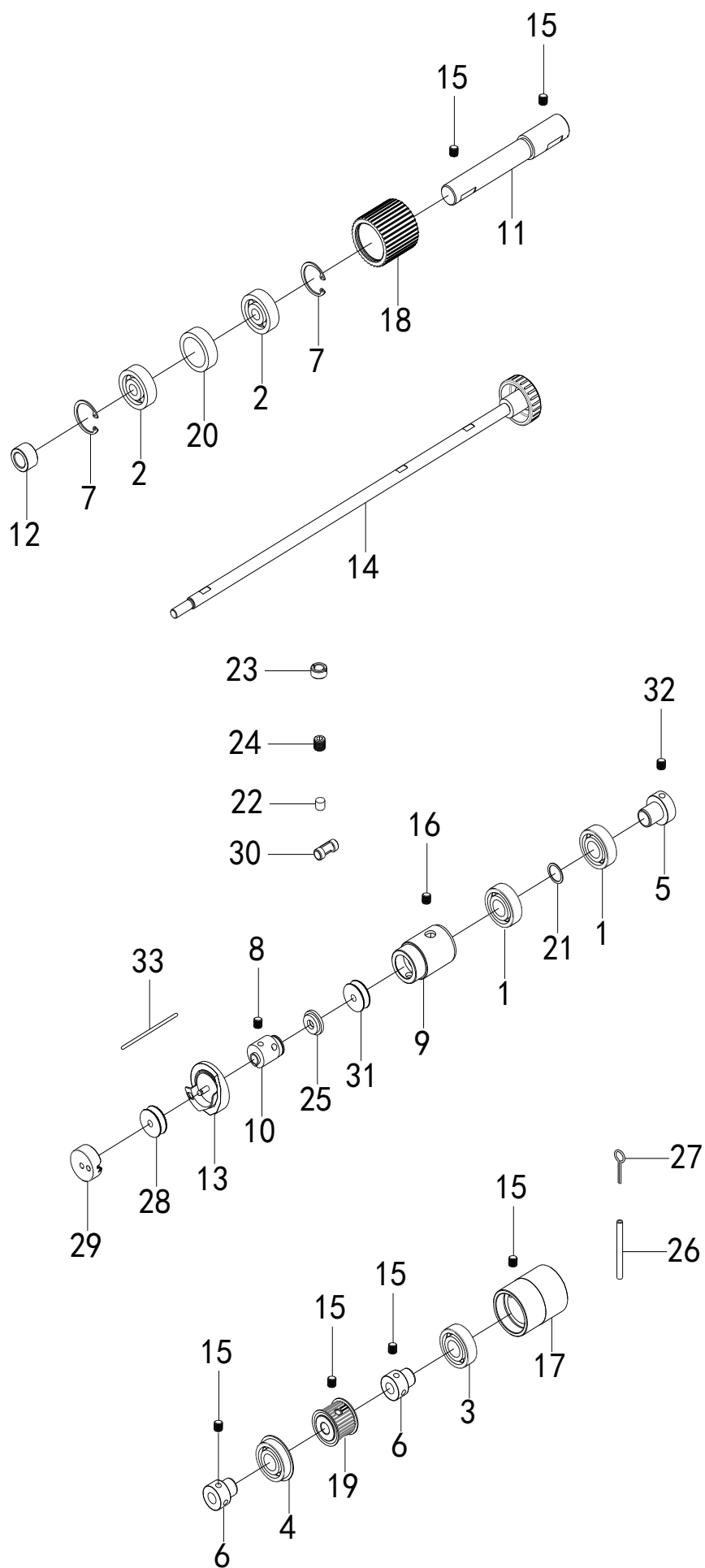
3. 上轴装置/Upper shaft device



3. 上轴装置/Upper shaft device

NO	零部件号	数量	零部件名称	NAME OF PARTS	老助记码
1	13101080	1	上同步轮组件	UPPER SYNCHRONIZATION WHEEL ASSEMBLY	
2	10669140	1	挑线组件	THREAD TAKE-UP ASSEMBLY	
3	13104300	1	挂簧螺钉黑色	HANGING SPRING SCREW BLACK	
4	13101180	1	调整弹簧	ADJUSTING SPRING	
5	13101170	1	挂簧销	HANGING BOLT	
6	00410081	1	螺母黑色M10	NUT BLACK M10	
7	13101140	1	张力轮安装板	TENSION WHEEL MOUNTING PLATE	
8	13104290	1	轴位螺钉外六角	AXIAL SCREW OUTER HEXAGON	
9	13101160	1	垫圈	WASHER	
10	00806060	2	内紧定螺钉M6X6	SET SCREW M6X6	
11	01206251	1	内六角螺栓（黑色）M6X25	HEXAGON SOCKET HEAD BOLT (BLACK) M6X25	
12	13101150	1	张力轮	TENSION WHEEL	
13	00163000	2	轴承6300	BEARING 6300	
14	01210420	1	内六角螺栓M10X42.5	HEXAGON SOCKET BOLT M10X42.5	
15	00203370	2	孔用挡圈C35	RETAINING RING FOR HOLE C35	
16	13101030	1	联轴器	COUPLING	
17	00806081	4	内紧定螺钉M6X8	SET SCREW M6X8	
18	00806060	4	内紧定螺钉M6X6	SET SCREW M6X6	
19	02000189	1	一字螺钉黑色	SLOTTED SCREW BLACK	
20	13101010	1	针杆曲柄	NEEDLE BAR CRANK	
21	00808161	1	内紧定螺钉M8X16	INTERNAL SET SCREW M8X16	
22	10741260	1	主轴电机	SPINDLE MOTOR	
23	01205201	4	内六角螺栓M5X20	HEXAGON SOCKET BOLT M5X20	
24	13101000	1	绕线轮	REEL	
25	00162040	1	轴承套6204	BEARING SLEEVE 6204	
26	00805081	2	内紧定螺钉M5X8	SET SCREW M5X8	
27	13101060	1	上轴	UPPER AXIS	
28	13101130	1	同步带810-3GT-20	SYNCHRONOUS BELT 810-3GT-20	
29	00506161	1	平垫圈6.7×17.6×2	FLAT WASHER 6.7×17.6×2	
30	01306141	1	外六角螺栓M6X16	HEXAGON BOLT M6X16	
31	13100990	1	轴承固定套	BEARING FIXING SLEEVE	
32	00163041	1	轴承6304DU	BEARING 6304DU	

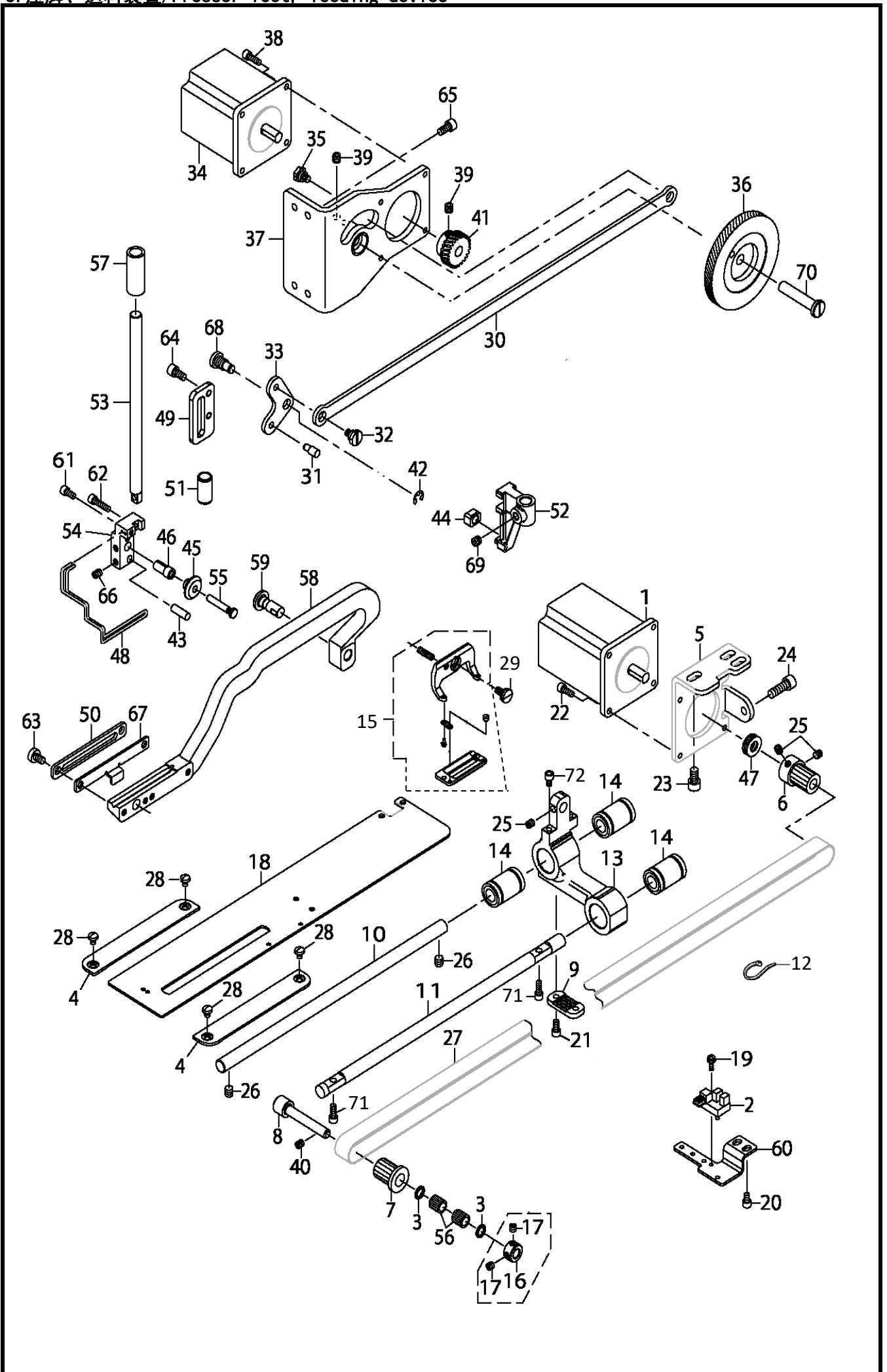
4. 下轴装置/Lower shaft device



4. 下轴装置/Lower shaft device

NO	零部件号	数量	零部件名称	NAME OF PARTS	老助记码
1	00106901	2	轴承690	BEARING 690	
2	00160001	2	轴承6000V	BEARING 6000V	
3	00162020	1	轴承6202	BEARING 6202	
4	02000135	1	轴承6202DDUNR	BEARING 6202DDUNR	
5	13101200	1	轴承固定套	BEARING FIXING SLEEVE	
6	13101210	2	轴承固定套	BEARING FIXING SLEEVE	
7	00203270	2	孔用挡圈C27	CIRCLIP FOR HOLE C27	
8	00806401	4	内紧定螺钉SM6. 35X40	INTERNAL SET SCREW SM6. 35X40	
9	13101230	1	下轴前轴套	LOWER AXLE FRONT BUSHING	
10	13101240	1	旋梭连接套组件	ROTARY HOOK CONNECTING SLEEVE ASSEMBLY	
11	13101250	1	中同步带轮轴	MIDDLE SYNCHRONOUS BELT WHEEL SHAFT	
12	13101160	1	垫圈	WASHER	
13	13101280	1	旋梭(1790K)	ROTARY SHUTTLE (1790K)	
13	13101260	1	旋梭(1790S)	ROTARY SHUTTLE (1790S)	
14	13101270	1	手轮组件	HANDWHEEL ASSEMBLY	
15	00806060	9	内紧定螺钉M6X6	SET SCREW M6X6	
16	00806060	1	内紧定螺钉M6X6	SET SCREW M6X6	
17	13101290	1	下轴后轴套	LOWER AXLE REAR BUSHING	
18	13101300	1	中同步带轮	MIDDLE TIMING BELT WHEEL	
19	13101310	1	下同步带轮组件	LOWER SYNCHRONOUS PULLEY ASSEMBLY	
20	13101320	1	衬套	BUSHING	
21	00520010	1	垫圈黑色	WASHER BLACK	
22	13101330	1	调整杆	ADJUSTMENT LEVER	
23	02000082	1	调整螺母黑色	ADJUSTING NUT BLACK	
24	02000190	1	旋梭流量调节螺钉黑色	ROTARY HOOK FLOW ADJUSTMENT SCREW	
25	13101340	1	油毡	LINOLEUM	
26	13101350	0.25	油管3X250 (单位: m)	TUBING 3X250 (UNIT: M)	
27	13101360	1	油线	OIL LINE	
28	13101370	1	梭芯	BOBBIN	
29	13101380	1	梭壳	BOBBIN CASE	
30	13101390	1	油量控制架	FUEL CONTROL FRAME	
31	13101400	1	油毡	LINOLEUM	
32	00805050	2	内紧定螺钉M5X5	SET SCREW M5X5	
33	13101360	1	油线	OIL LINE	

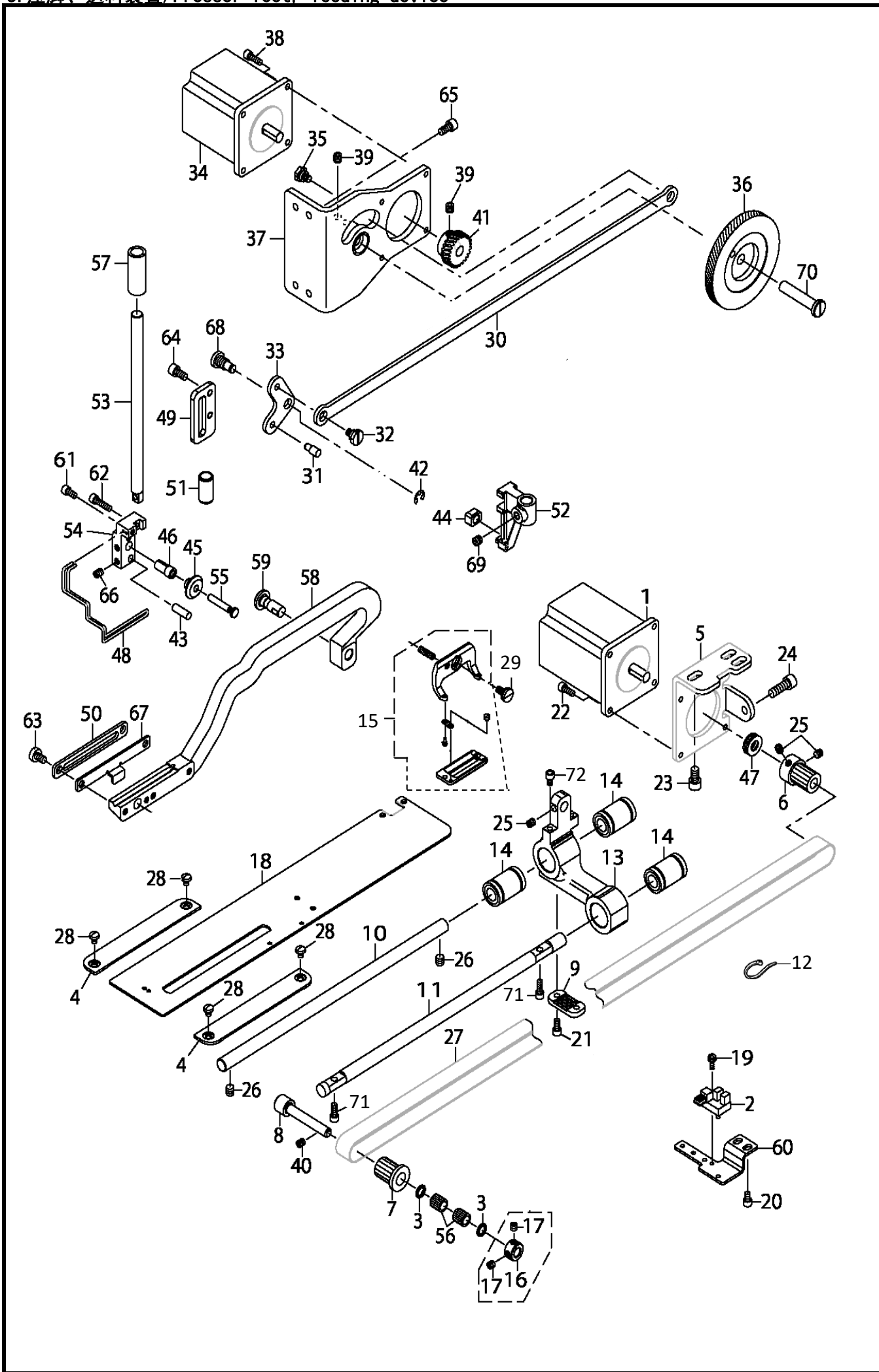
5. 压脚、送料装置/Presser foot, feeding device



5. 压脚、送料装置/Presser foot, feeding device

NO	零部件号	数量	零部件名称	NAME OF PARTS	老助记码
1	10736730	1	送布电机	FEEDING MOTOR	
2	10772620	1	送布感应器	FEED SENSOR	
3	13101430	2	封油垫片	SEALING GASKET	
4	13101440	2	固定板	FIXED PLATE	
5	13101450	1	送料步进电机固定架	FEEDING STEPPER MOTOR FIXING FRAME	
6	13101460	1	送料前同步带轮组件	SYNCHRONOUS BELT WHEEL BEFORE FEEDING	
7	13101470	1	送料前同步带轮组件	SYNCHRONOUS BELT WHEEL BEFORE FEEDING	
8	13101480	1	送料前同步轮轴	SYNCHRONOUS AXLE BEFORE FEEDING	
9	13101490	1	固定板	FIXED PLATE	
10	13101500	1	支架轴	BRACKET SHAFT	
11	13101510	1	送布支架导向轴	FEEDING BRACKET GUIDE SHAFT	
12	16300810	2	扎带3X100	CABLE TIE 3X100	
13	13101520	1	送布支架	FEEDING BRACKET	
14	02000129	3	轴向轴承10	AXIAL BEARING 10	
15	13101880	1	压脚组件1790K	PRESSER FOOT ASSEMBLY 1790K	
15	13101900	1	压脚组件1790S	PRESSER FOOT ASSEMBLY 1790S	
16	13101530	1	挡圈	RETAINING RING	
17	00805050	2	内紧定螺钉M5X5	SET SCREW M5X5	
18	13101540	1	送料板	FEEDING PLATE	
19	01503080	1	十字盘头螺钉M3X8DA	PHILLIPS PAN HEAD SCREW M3X8DA	
20	01204060	2	内六角螺栓M4X6	HEXAGON SOCKET BOLT M4X6	
21	02000018	2	内六角螺栓M4X8	HEXAGON SOCKET BOLT M4X8	
22	01204101	4	内六角螺栓M4X12	HEXAGON SOCKET BOLT M4X12	
23	01206100	3	内六角螺栓M6X10	HEXAGON SOCKET BOLT M6X10	
24	01206185	1	内六角螺栓M6X18	HEXAGON SOCKET BOLT M6X18	
25	00805050	3	内紧定螺钉M5X5	SET SCREW M5X5	
26	00806060	2	内紧定螺钉M6X6	SET SCREW M6X6	
27	13101550	1	同步带708-3GT-15	SYNCHRONOUS BELT 708-3GT-15	
28	01904050	4	一字平头螺栓M4X5	FLAT HEAD BOLT M4X5	
29	13104110	1	一字压脚螺钉(镀镍)	SLOTTED PRESSER FOOT SCREW	
30	13101640	1	压脚升降拉杆	PRESSER FOOT LIFTING ROD	
31	13101850	1	连接销	CONNECTING PIN	
32	13104080	1	压脚升降摆动板螺钉外六角黑色	PRESSER FOOT LIFTING PLATE SCREW	
33	13101620	1	压脚升降摆动板	PRESSER FOOT LIFTING SWING PLATE	
34	10736660	1	压脚电机	PRESSER FOOT MOTOR	
35	13104080	1	压脚升降摆动板螺钉外六角黑色	PRESSER FOOT LIFTING PLATE SCREW	
36	13101660	1	压脚升降持齿A组件	PRESSER FOOT LIFTING AND HOLDING TOOTH	
37	13101670	1	压脚电机安装板组件	PRESSER FOOT MOTOR MOUNTING PLATE	
38	01204121	4	内六角螺栓M4X12	HEXAGON SOCKET BOLT M4X12	
39	00806050	4	内紧定螺钉M6X5	SET SCREW M6X5	
40	00805050	1	内紧定螺钉M5X5	SET SCREW M5X5	
41	13101590	1	压脚升降齿轮S	PRESSER FOOT LIFTING GEAR S	
42	00201050	1	挡圈 E5	RETAINING RING E5	
43	13101680	1	压脚支架固定轴	PRESSER FOOT HOLDER FIXED SHAFT	
44	13101580	1	压脚导向连接块	PRESSER FOOT GUIDE CONNECTING BLOCK	
45	13101690	1	滑轮	PULLEY	
46	13101700	1	衬套	BUSHING	
47	00108050	1	送布马达轴承	FEED MOTOR BEARING	
48	13101720	1	防护簧	PROTECTIVE SPRING	
49	13101740	1	压脚杆滑槽	PRESSER FOOT BAR CHUTE	
50	13101750	1	压脚前后送料导向板	FEEDING GUIDE PLATE PRESSER FOOT	
51	13101760	1	压脚杆套	PRESSER FOOT BAR SET	
52	13101780	1	压脚杆升降支架	PRESSER FOOT BAR LIFTING BRACKET	
53	13101790	1	压脚轴	PRESSER FOOT SHAFT	
54	13101800	1	滑轮支架	PULLEY BRACKET	
55	13101810	1	滑轮轴	PULLEY SHAFT	
56	00107091	2	滚针轴承	NEEDLE BEARING	
57	13104390	1	压脚杆轴套	PRESSER FOOT SHAFT SLEEVE	
58	13101830	1	压脚支架	PRESSER FOOT HOLDER	
59	13101840	1	曲柄轴	CRANKSHAFT	

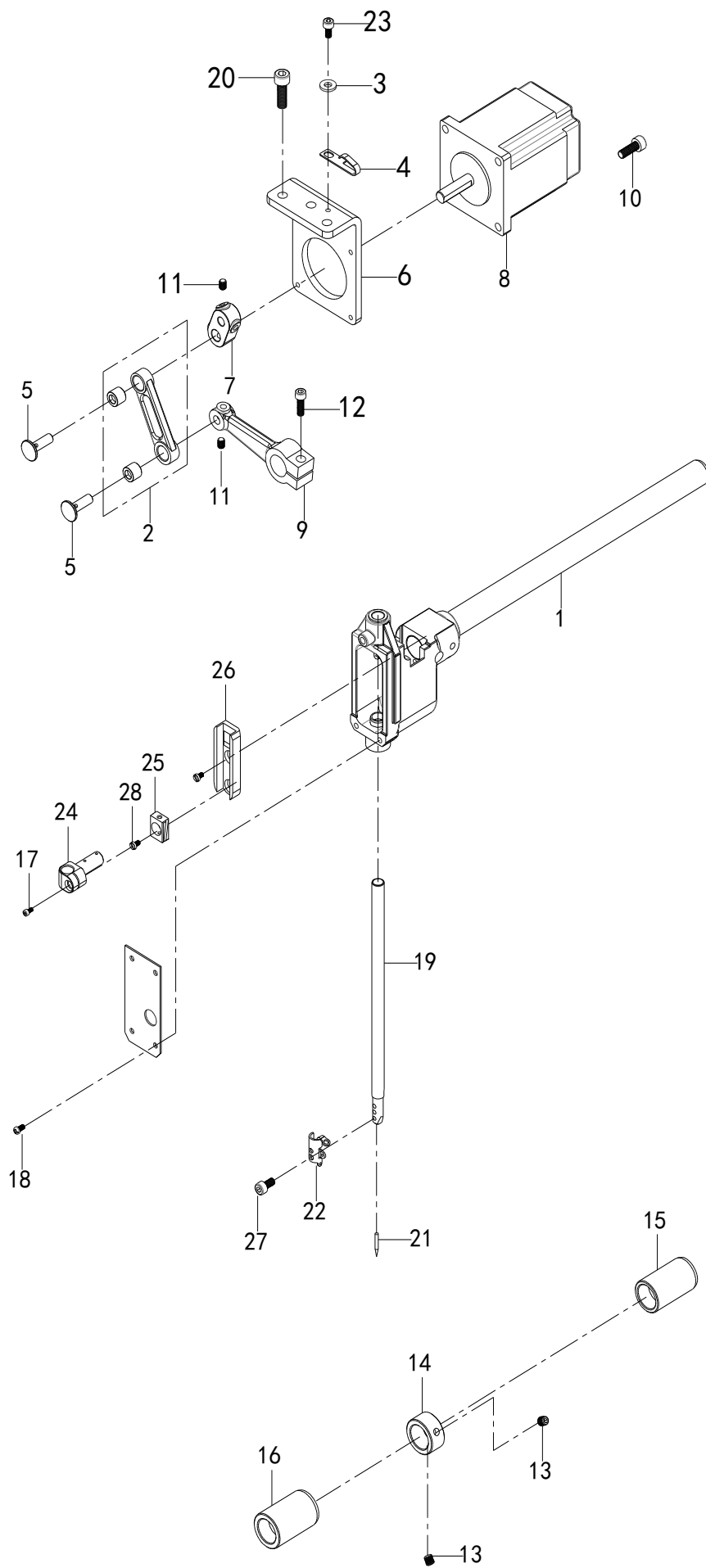
5. 压脚、送料装置/Presser foot, feeding device



5. 压脚、送料装置/Presser foot, feeding device

NO	零部件号	数量	零部件名称	NAME OF PARTS	老助记码
60	13101910	1	传感器定位板	SENSOR POSITIONING BOARD	
61	01204085	1	内六角螺栓M4X8	HEXAGON SOCKET BOLT M4X8	
62	01204165	1	内六角螺栓M4X16	HEXAGON SOCKET BOLT M4X16	
63	02000044	2	一字螺钉M5X8	SLOTTED SCREW M5X8	
64	01205101	2	内六角螺栓M5X10	HEXAGON SOCKET BOLT M5X10	
65	01205121	4	内六角螺栓M5X12	HEXAGON SOCKET BOLT M5X12	
66	00805061	2	内紧定螺钉M5X6	SET SCREW M5X6	
67	13101870	1	剪线板	TRIMMING BOARD	
68	13104090	1	压脚升降摆动板螺钉外六角黑色	PRESSER FOOT LIFTING SWING PLATE SCREW	
69	00806060	1	内紧定螺钉M6X6	SET SCREW M6X6	
70	13101600	1	齿轮轴	GEAR SHAFT	
71	01204121	2	内六角螺栓M4X12	HEXAGON SOCKET BOLT M4X12	
72	01204085	2	内六角螺栓M4X8	HEXAGON SOCKET BOLT M4X8	

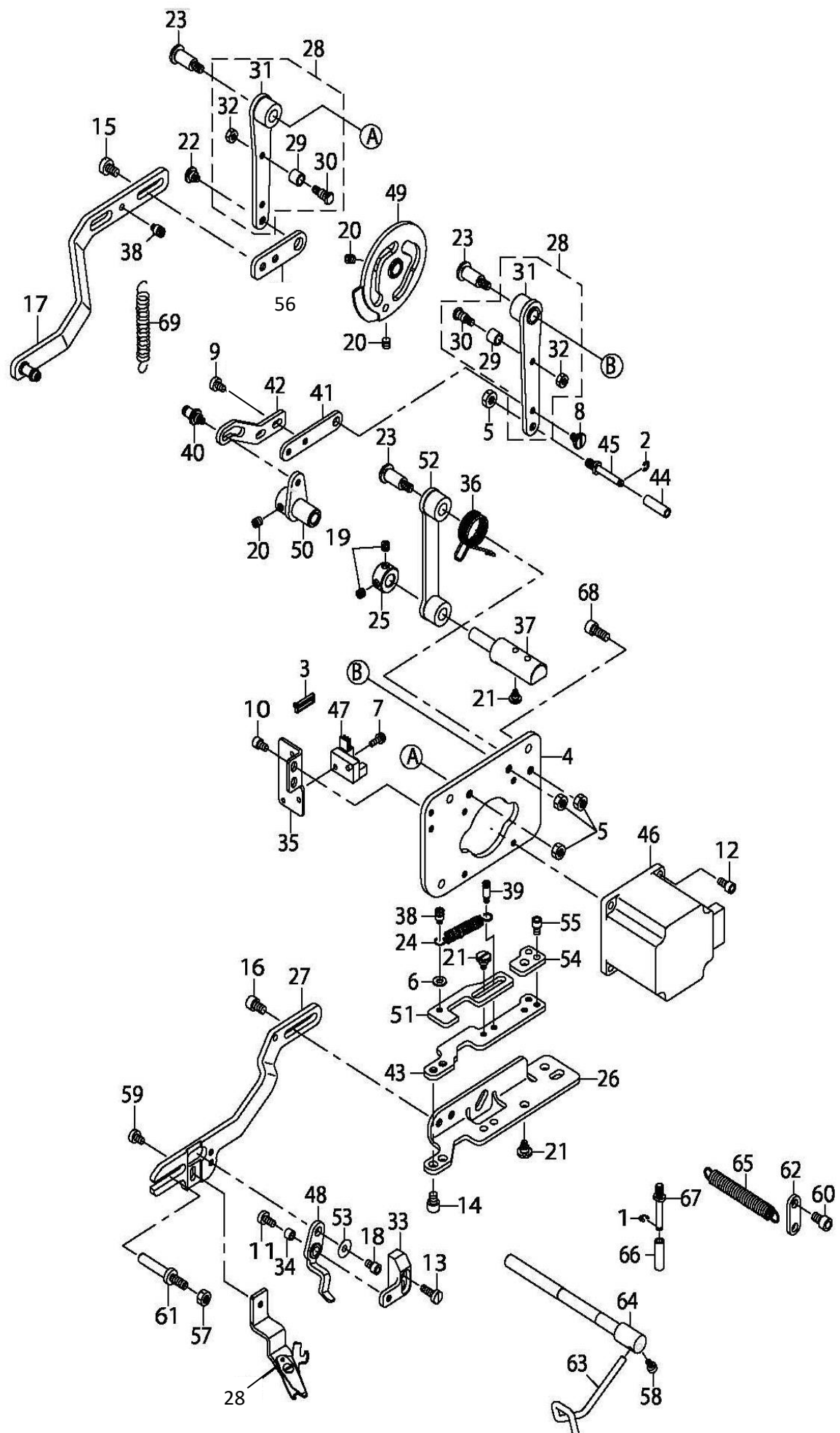
6. 针杆摇动装置/Needle bar rocking device



6. 针杆摇动装置/Needle bar rocking device

NO	零部件号	数量	零部件名称	NAME OF PARTS	老助记码
1	10666080	1	针杆制动架	1790 CRANK	
2	13101920	1	摆轴连杆组件	PENDULUM SHAFT CONNECTING ROD ASSEMBLY	
3	00504020	1	垫圈4	WASHER 4	
4	13100140	1	油管固定架	TUBING HOLDER	
5	13101930	2	连接轴A	CONNECTING SHAFT A	
6	13101970	1	电机安装板	MOTOR MOUNTING PLATE	
7	13101990	1	电机连接曲柄	MOTOR CONNECTION CRANK	
8	10736630	1	针摆电机	NEEDLE PENDULUM MOTOR	
9	13101950	1	针杆摆动曲柄	NEEDLE BAR SWING CRANK	
10	01204121	4	内六角螺栓 (黑色) M4X12	HEXAGON SOCKET HEAD BOLT (BLACK) M4X12	
11	00805050	6	内紧定螺钉M5X5	SET SCREW M5X5	
12	01206185	1	内六角螺栓 M6X18	HEXAGON SOCKET HEAD BOLT M6X18	
13	00805050	2	内紧定螺钉M5X5	SET SCREW M5X5	
14	13102170	1	摆轴挡圈	PENDULUM SHAFT RETAINING RING	
15	13102120	1	摆轴前套	PENDULUM SHAFT FRONT SLEEVE	
16	13102130	1	摆轴后套	SWING SHAFT BACK SLEEVE	
17	01204085	1	内六角螺栓M4X8	HEXAGON SOCKET BOLT M4X8	
18	02000037	4	十字盘头螺钉M4X10	PHILLIPS PAN HEAD SCREW M4X10	
19	10598130	1	针杆	NEEDLE BAR	
20	01206120	3	内六角螺栓M6X12	HEXAGON SOCKET BOLT M6X12	
21	10780500	1	机针DPX5 (11#)	MACHINE NEEDLE DPX5 11#	
22	13102160	1	面线导线器	UPPER THREAD GUIDE	
23	01204060	1	内六角螺栓M4X6	HEXAGON SOCKET BOLT M4X6	
24	10666070	1	针杆抱箍	NEEDLE BAR HOOP	
25	10666060	1	针杆滑块	NEEDLE BAR SLIDER	
26	10666050	1	滑块导向	SLIDER GUIDE	
27	02000046	1	一字螺钉M3X5	SLOTTED SCREW M3X5	
28	02000044	2	一字平头螺钉M5X8	SLOTTED FLAT HEAD SCREW M5X8	

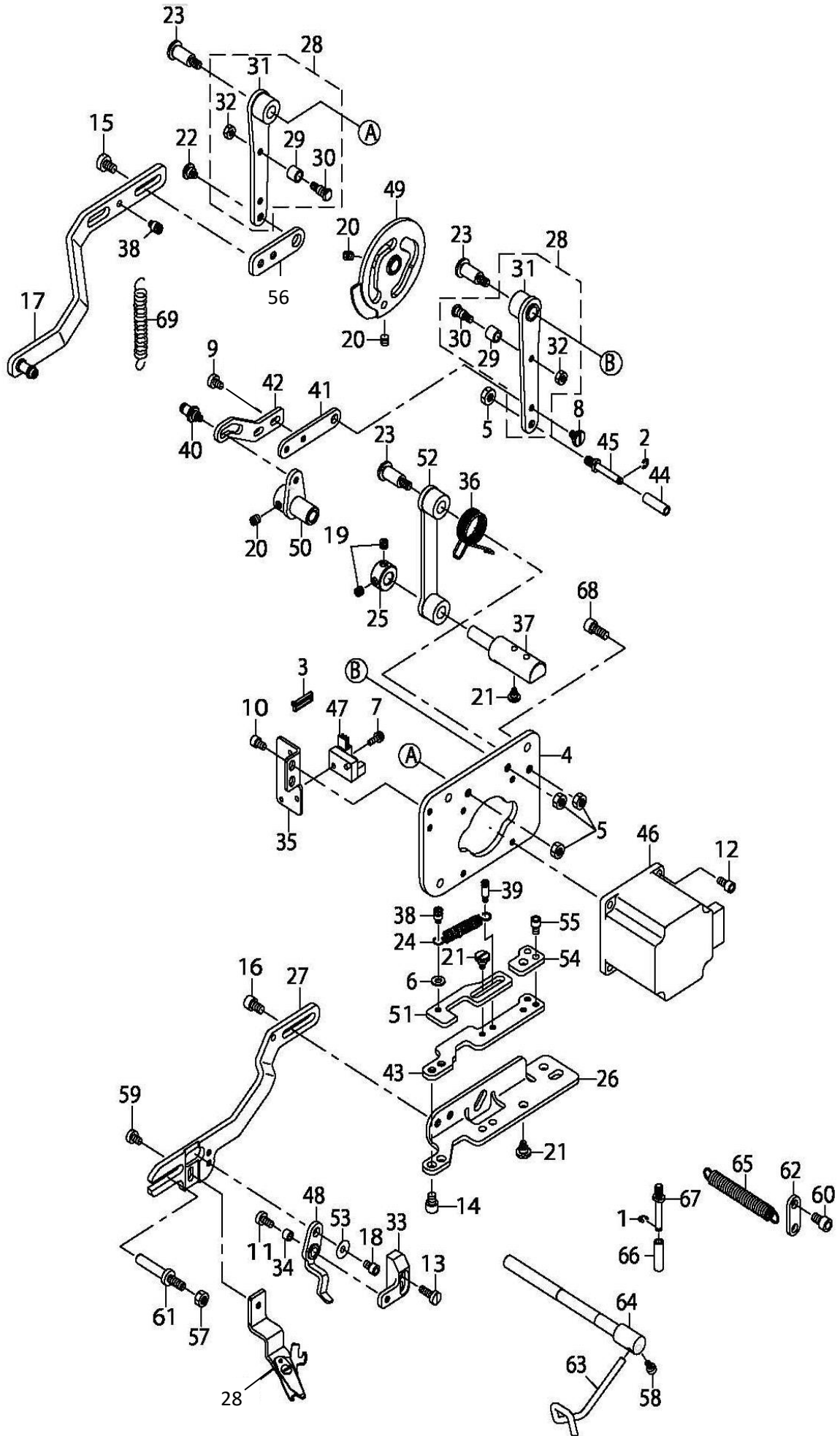
7. 上剪线装置/Upper trimming device



7. 上剪线装置/Upper trimming device

NO	零部件号	数量	零部件名称	NAME OF PARTS	老助记码
1	00201030	1	挡圈 E3	RETAINING RING E3	
2	00201030	1	挡圈 E3	RETAINING RING E3	
3	16300810	1	扎带3X100	CABLE TIE 3X100	
4	13102260	1	剪线电机安装板	THREAD TRIMMING MOTOR MOUNTING PLATE	
5	00405380	4	螺母M5	NUT M5	
6	00504020	1	垫圈4	WASHER 4	
7	01503105	1	十字螺钉M3X10	PHILLIPS SCREW M3X10	
8	13104180	1	一字固定板连接螺钉	SLOTTED FIXING PLATE CONNECTING SCREW	
9	01204060	2	内六角螺栓M4X6	HEXAGON SOCKET BOLT M4X6	
10	01204060	2	内六角螺栓M4X6	HEXAGON SOCKET BOLT M4X6	
11	01904085	1	一字平头螺钉M4X8	SLOTTED FLAT HEAD SCREW M4X8	
12	02000018	4	内六角螺栓M4X8	HEXAGON SOCKET BOLT M4X8	
13	02000048	2	一字螺钉M4X12	SLOTTED SCREW M4X12	
14	01205060	2	内六角螺栓M5X6	HEXAGON SOCKET BOLT M5X6	
15	02000044	2	一字螺钉M5X8	SLOTTED SCREW M5X8	
16	01205080	2	内六角螺栓M5X8	HEXAGON SOCKET BOLT M5X8	
17	13102190	1	开剪连杆组件	CUTTING CONNECTING ROD ASSEMBLY	
18	02000018	1	内六角螺栓M4X8	HEXAGON SOCKET BOLT M4X8	
19	00805041	2	内紧定螺钉(黑色)M5X4	SET SCREW (BLACK) M5X4	
20	00805041	4	内紧定螺钉M5X4	SET SCREW M5X4	
21	13104130	4	一字剪线导向调节板螺钉黑色	GUIDE ADJUSTMENT PLATE SCREW	
22	13104140	1	一字剪线连接板螺钉黑色	CONNECTION PLATE SCREW	
23	13104150	3	轴位螺钉黑色	AXIAL SCREW BLACK	
24	13102200	1	导向板弹簧	GUIDE PLATE SPRING	
25	13102210	1	剪线支架连接销挡圈	CONNECTING PIN RETAINING RING	
26	13102230	1	剪线支架	TRIMMING BRACKET	
27	13102240	1	剪刀架	SCISSORS RACK	
28	13102580	1	上剪线刀组件	UPPER THREAD TRIMMER ASSEMBLY	
29	13102270	2	滚柱	ROLLER	
30	13104160	2	滚子连接螺钉	ROLLER CONNECTION SCREW	
31	13102490	2	缓线钩导向曲柄组件	SLOW WIRE HOOK GUIDE CRANK ASSEMBLY	
32	00404031	2	螺母黑色M4	NUT BLACK M4	
33	13102310	1	开剪驱动板安装座	DRIVE PLATE MOUNTING SEAT	
34	13102320	1	连接滚子	CONNECTING ROLLER	
35	13102330	1	传感器安装板	SENSOR MOUNTING PLATE	
36	13102340	1	扭簧	TORSION SPRING	
37	13102350	1	剪线支架连接轴	THREAD TRIMMING BRACKET CONNECTING SHAFT	
38	13104170	2	一字平头轴位螺钉	SLOTTED FLAT HEAD SHAFT SCREW	
39	13104280	1	缓线钩定位螺钉	THREAD HOOK POSITIONING SCREW	
40	13102360	1	缓线连接销	SLOW LINE CONNECTING PIN	
41	13102380	1	缓线钩连接板	SLOW WIRE HOOK CONNECTING PLATE	
42	13102390	1	缓线钩驱动板	SLOW WIRE HOOK DRIVE PLATE	
43	13102400	1	剪刀进退固定板	SCISSORS ADVANCE AND RETREAT FIXED PLATE	
44	13102410	1	滚柱	ROLLER	
45	13102420	1	滚轴	ROLLER	
46	10736740	1	剪线电机	THREAD TRIMMING MOTOR	
47	10772590	1	上剪感应器	UPPER SHEAR SENSOR	
48	13102450	1	开剪驱动板组件	CUTTING DRIVE PLATE ASSEMBLY	
49	13102470	1	剪线凸轮组件	THREAD TRIMMING CAM ASSEMBLY	
50	13102480	1	缓线钩连接曲柄组件	SLOW WIRE HOOK CONNECTING CRANK ASSEMBLY	
51	13102280	1	剪线进退导向板	GUIDE PLATE	
52	13102500	1	剪线连接曲柄组件	THREAD TRIMMING CONNECTING CRANK	
53	00504101	1	垫圈黑色4.3×12×1	WASHER BLACK 4.3×12×1	
54	13102510	1	限位板	LIMIT PLATE	
55	01204060	2	内六角螺栓M4X6	HEXAGON SOCKET BOLT M4X6	
56	13102300	1	剪线连接板	TRIMMING CONNECTION BOARD	
57	00405380	1	螺母M5	NUT M5	
58	01204060	1	内六角螺栓M4X6	HEXAGON SOCKET BOLT M4X6	
59	02000047	1	一字螺钉M4X6	SLOTTED SCREW M4X6	
60	01205080	1	内六角螺栓M5X8	HEXAGON SOCKET BOLT M5X8	

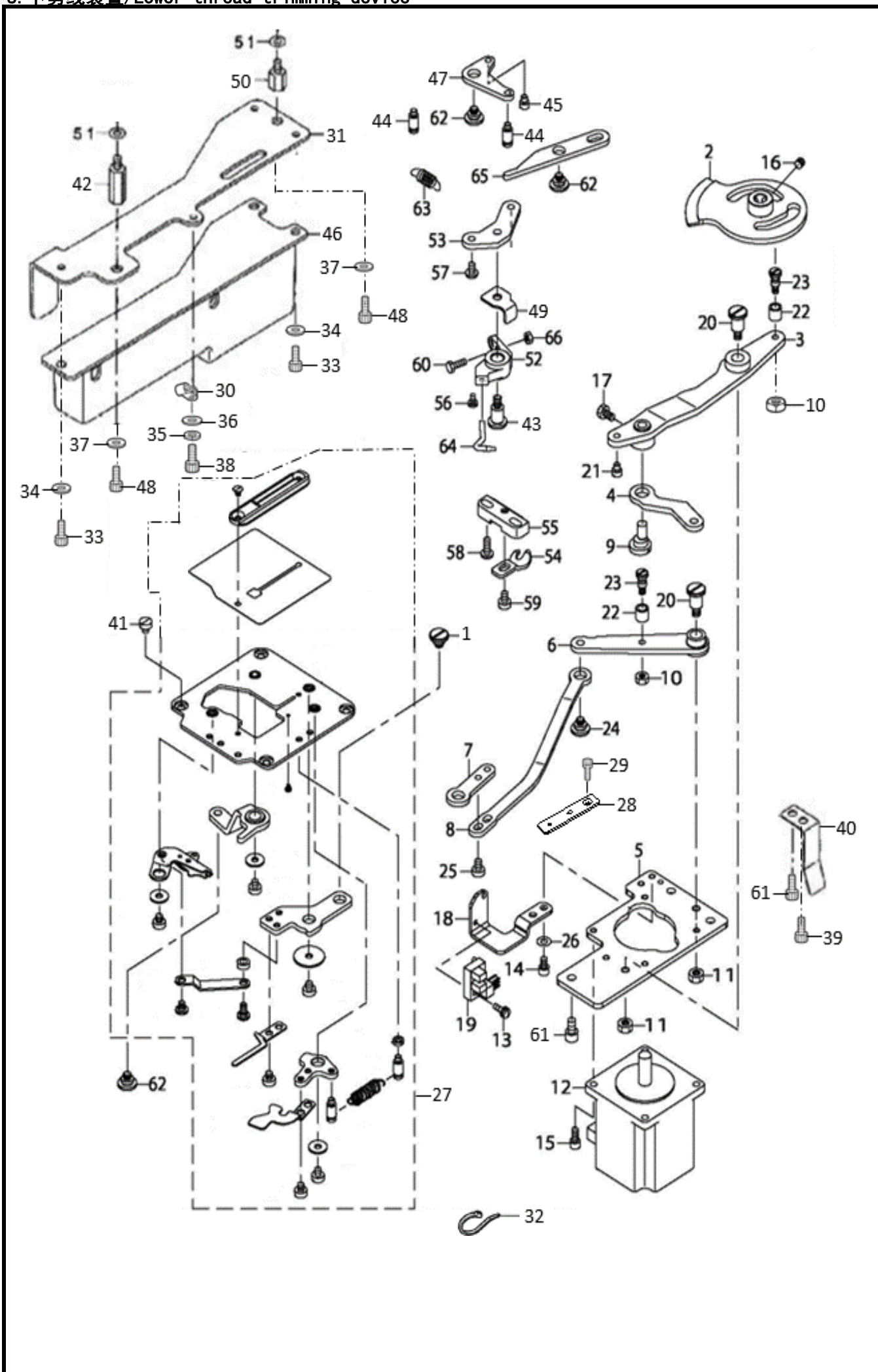
7. 上剪线装置/Upper trimming device



7. 上剪线装置/Upper trimming device

NO	零部件号	数量	零部件名称	NAME OF PARTS	老助记码
61	13102520	1	压脚导向轴	PRESSER FOOT GUIDE SHAFT	
62	13102530	1	连接板	CONNECTING PLATE	
63	13102540	1	缓线钩	SLOW WIRE HOOK	
64	13102550	1	缓线钩轴	SLOW THREAD HOOK SHAFT	
65	13102560	1	弹簧	SPRING	
66	13102410	1	滚柱	ROLLER	
67	13102420	1	滚轴	ROLLER	
68	01205121	3	内六角螺栓M5X12	HEXAGON SOCKET BOLT M5X12	
69	13102570	1	缓线钩复位弹簧	SLOW WIRE HOOK RETURN SPRING	

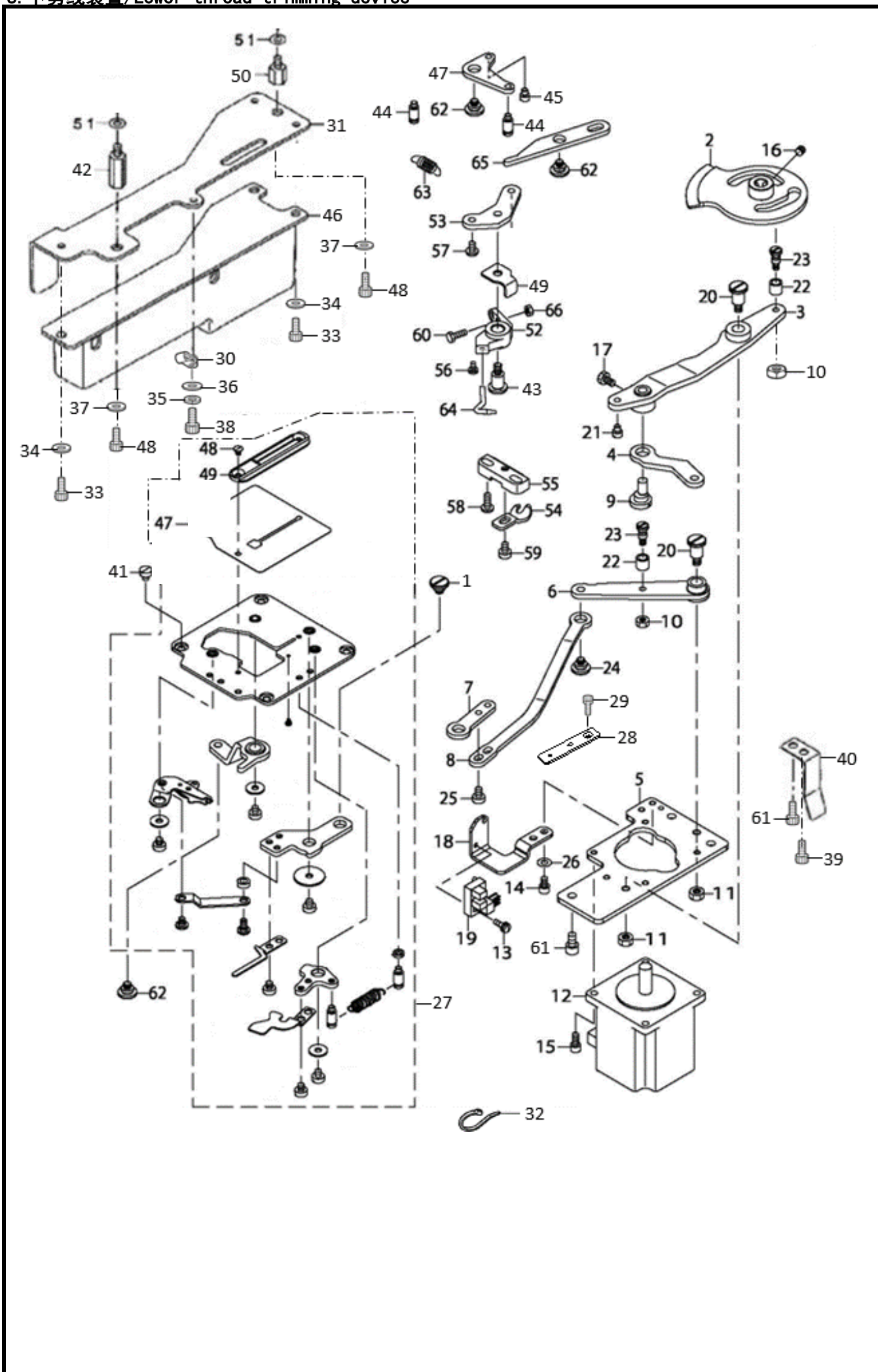
8. 下剪线装置/Lower thread trimming device



8. 下剪线装置/Lower thread trimming device

NO	零部件号	数量	零部件名称	NAME OF PARTS	老助记码
1	13104080	1	压脚升降摆动板螺钉外六角黑色	PRESSER FOOT LIFTING SWING PLATE SCREW	
2	13102590	1	剪底线线凸轮组件	BOBBIN THREAD TRIMMING CAM ASSEMBLY	
3	13102600	1	剪底线连杆组件	BOTTOM THREAD CONNECTING ROD ASSEMBLY	
4	13102610	1	剪底线连杆	CUT THE BOTTOM LINE CONNECTING ROD	
5	13102620	1	底线电机安装板	BOTTOM THREAD MOTOR MOUNTING PLATE	
6	13102630	1	剪底结导向曲柄组件	SHEAR BOTTOM KNOT GUIDE CRANK ASSEMBLY	
7	13102640	1	剪刀调节板	SCISSORS ADJUSTMENT PLATE	
8	13102650	1	剪底线导向曲柄连杆	GUIDE CRANK CONNECTING ROD	
9	13102660	1	偏心轴销	ECCENTRIC PIN	
10	00404031	2	螺母黑色M4	NUT BLACK M4	
11	00405380	2	螺母M5	NUT M5	
12	10736750	1	下剪线电机	BOTTOM TRIMMING MOTOR	
13	01503100	1	十字盘头带垫片螺钉M3X10DB	CROSS PAN HEAD SCREW WITH WASHER M3X10	
14	01204060	2	内六角螺栓M4X6	HEXAGON SOCKET BOLT M4X6	
15	02000018	4	内六角螺栓M4X8	HEXAGON SOCKET BOLT M4X8	
16	00805041	2	内紧定螺钉M5X4	SET SCREW M5X4	
17	01304071	1	外六角螺栓M4X7	HEXAGON BOLT M4X7	
18	13102690	1	传感器安装板	SENSOR MOUNTING PLATE	
19	10772600	1	下剪感应器	DOWN CUT SENSOR	
20	13104190	2	轴位螺钉黑色	AXIAL SCREW BLACK	
21	13102700	1	止动销	STOP PIN	
22	13102270	2	滚柱	ROLLER	
23	13104160	2	滚子连接螺钉	ROLLER CONNECTION SCREW	
24	13104200	1	轴位螺钉黑色	AXIAL SCREW BLACK	
25	02000047	2	一字螺钉M4X6	SLOTTED SCREW M4X6	
26	00504020	2	垫圈4	WASHER 4	
27	13102730	1	针板组件(1790K)	NEEDLE PLATE ASSEMBLY (1790K)	
27	13102740	1	针板组件(1790S)	NEEDLE PLATE ASSEMBLY (1790S)	
28	13102870	1	转接板	ADAPTER BOARD	
29	02000002	1	十字沉头螺钉M3X5	CROSS COUNTERSUNK HEAD SCREW M3X5	
30	10103120	1	线夹(3/16)	WIRE CLAMP (3/16)	
31	13102820	1	油盒安装板	OIL TANK MOUNTING PLATE	
32	16300810	1	扎带3X100(黑色)	CABLE TIE 3X100 (BLACK)	
33	01204060	3	内六角螺栓(镀镍)M4X6	HEXAGON SOCKET HEAD BOLT M4X6	
34	00504030	3	平垫圈S4	FLAT WASHER S4	
35	00604000	1	弹簧垫圈2-4	SPRING WASHER 2-4	
36	00504010	1	平垫圈M4	FLAT WASHER M4	
37	00504030	2	平垫圈S4	FLAT WASHER S4	
38	01204085	1	内六角螺栓M4X8	HEXAGON SOCKET BOLT M4X8	
39	01403030	1	一十字螺钉M3X3	ONE PHILLIPS SCREW M3X3	
40	13102800	1	安全开关板	SAFETY SWITCH BOARD	
41	02000050	4	一字螺钉(黑色)M4X4	SLOTTED SCREW (BLACK) M4X4	
42	13104210	1	加长螺钉外六角	EXTENSION SCREW OUTER HEXAGON	
43	13104190	1	轴位螺钉黑色	AXIAL SCREW BLACK	
44	13104280	2	缓线钩定位螺钉	THREAD HOOK POSITIONING SCREW	
45	13102700	1	止动销	STOP PIN	
46	13102810	1	油盒组件	OIL BOX ASSEMBLY	
47	13102860	1	下档线传动板	DOWNSHIFT TRANSMISSION BOARD	
48	01204085	1	内六角螺栓M4X8	HEXAGON SOCKET BOLT M4X8	
49	13102830	1	止动板	STOP PLATE	
50	13104220	1	加长螺钉	EXTENSION SCREW	
51	00504030	2	平垫圈S4	FLAT WASHER S4	
52	13102750	1	下档线器座	DOWNSHIFTER SEAT	
53	13102760	1	下挡线器连接板	LOWER WIRE STOPPER CONNECTING PLATE	
54	13102770	1	旋梭定位钩	ROTARY HOOK POSITIONING HOOK	
55	13102780	1	定位钩安装板	POSITIONING HOOK MOUNTING PLATE	
56	01403040	1	一十字螺钉M3X4	ONE PHILLIPS SCREW M3X4	
57	01204060	1	内六角螺栓M4X6	HEXAGON SOCKET BOLT M4X6	
58	02000049	2	一字螺钉M4X10	SLOTTED SCREW M4X10	
59	02000047	1	一字螺钉M4X6	SLOTTED SCREW M4X6	

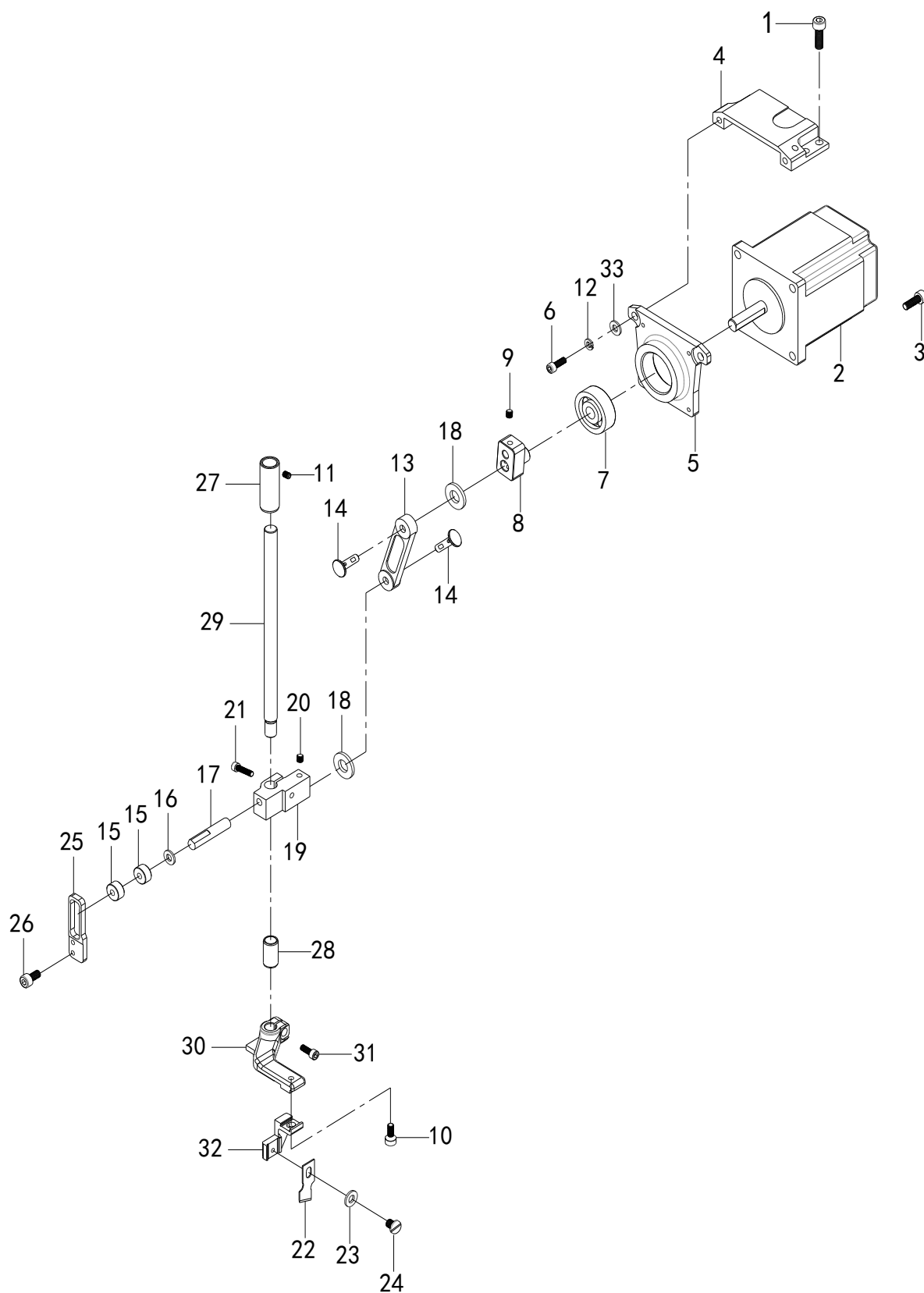
8. 下剪线装置/Lower thread trimming device



8. 下剪线装置/Lower thread trimming device

NO	零部件号	数量	零部件名称	NAME OF PARTS	老助记码
60	02000048	1	一字螺钉M4X12	SLOTTED SCREW M4X12	
61	01205120	3	内六角螺栓M5X12	HEXAGON SOCKET BOLT M5X12	
62	13104200	3	轴位螺钉黑色	AXIAL SCREW BLACK	
63	13102790	1	弹簧	SPRING	
64	13102840	1	下挡线器	DOWNSHIFTER	
65	13102850	1	下档线传动杆	DOWNSHIFT TRANSMISSION LEVER	
66	00404031	1	螺母黑色M4	NUT BLACK M4	

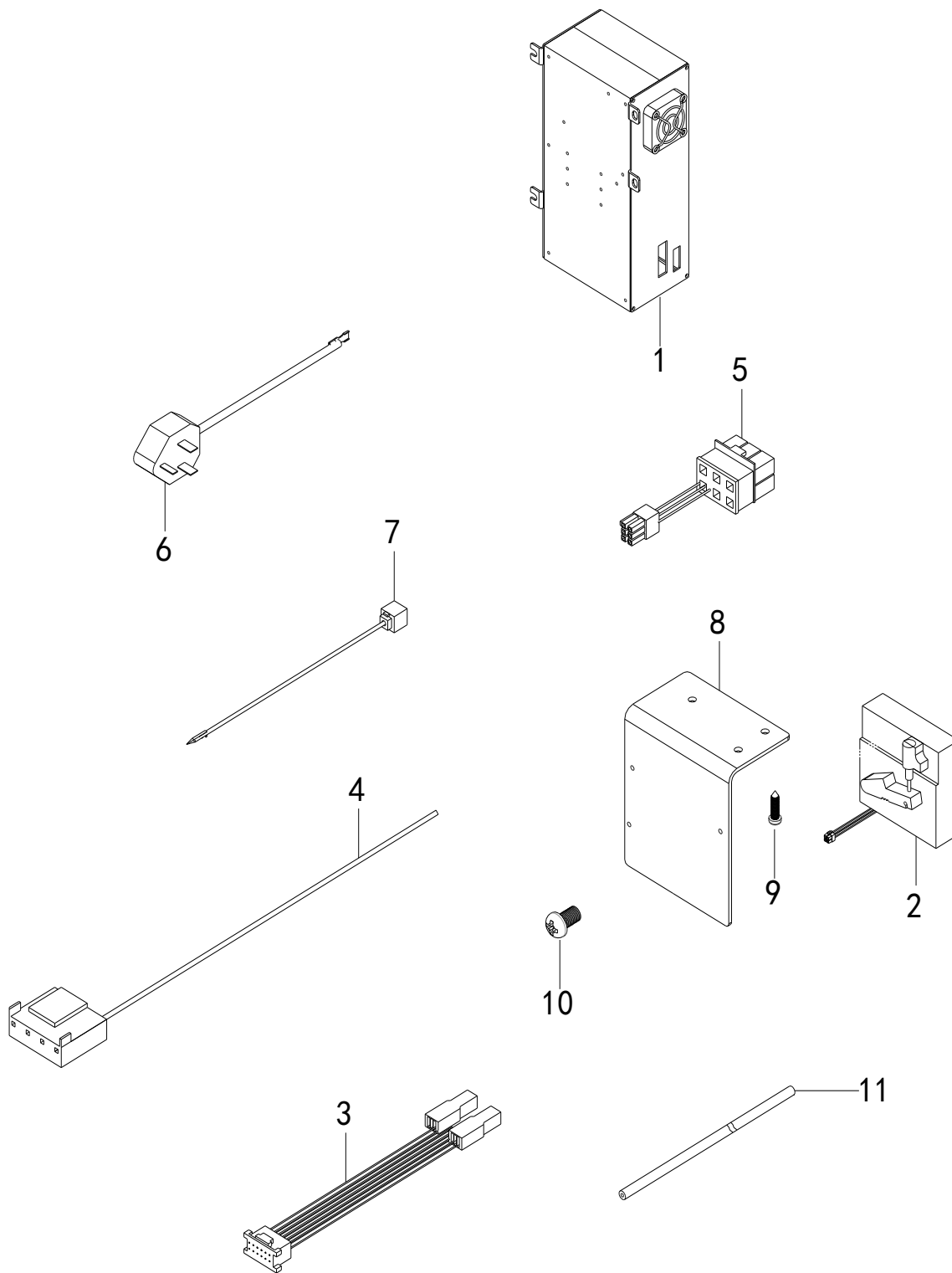
9. 切刀装置/Cutter device



9. 切刀装置/Cutter device

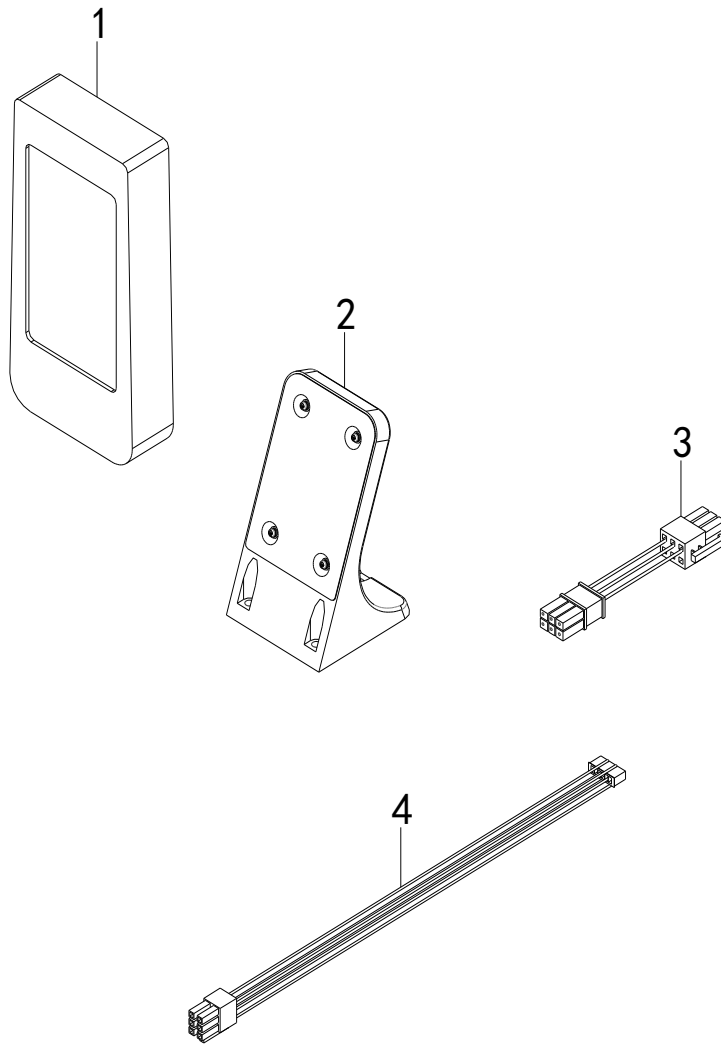
NO	零部件号	数量	零部件名称	NAME OF PARTS	老助记码
1	01205161	4	内六角螺栓M5X16	HEXAGON SOCKET BOLT M5X16	
2	10736720	1	切刀电机	CUTTER MOTOR	
3	01204121	4	内六角螺栓M4X12	HEXAGON SOCKET BOLT M4X12	
4	13103030	1	电机安装板	MOTOR MOUNTING PLATE	
5	13103020	1	电机安装座	MOTOR MOUNT	
6	01206140	2	内六角螺栓 M6X14	HEXAGON SOCKET HEAD BOLT M6X14	
7	00162010	1	轴承6201ZZ	BEARING 6201ZZ	
8	13102900	1	刀杆座	TOOL HOLDER	
9	00805050	3	内紧定螺钉M5X5	SET SCREW M5X5	
10	01205121	1	内六角螺栓M5X12	HEXAGON SOCKET BOLT M5X12	
11	00805081	1	内紧定螺钉M5X8	SET SCREW M5X8	
12	00606000	2	弹簧垫圈	SPRING WASHER	
13	13103120	1	切刀驱动连杆	CUTTER DRIVE CONNECTING ROD	
14	13101930	2	连接轴A	CONNECTING SHAFT A	
15	13103230	2	轴承 604ZZ	BEARING 604ZZ	
16	00504030	1	平垫圈S4	FLAT WASHER S4	
17	13103160	1	支撑轴	SUPPORT SHAFT	
18	00506050	2	平垫圈M6	FLAT WASHER M6	
19	13103090	1	切刀杆支架	CUTTER BAR BRACKET	
20	00805050	1	内紧定螺钉M5X5	SET SCREW M5X5	
21	01205160	1	内六角螺栓M5X16	HEXAGON SOCKET BOLT M5X16	
22	13103050	1	刀片1/2 "	BLADE 1/2"	
23	00504020	1	垫圈4	WASHER 4	
24	02000047	1	一字螺钉M4X6	SLOTTED SCREW M4X6	
25	13103250	1	支撑导向板	SUPPORT GUIDE PLATE	
26	01204121	2	内六角螺栓M4X12	HEXAGON SOCKET BOLT M4X12	
27	13103100	1	切刀杆上衬套	UPPER BUSH OF CUTTER BAR	
28	13103170	1	切刀杆下衬套	CUTTER BAR LOWER BUSH	
29	13103060	1	切刀轴	CUTTER SHAFT	
30	13103070	1	切刀杆座	CUTTER BAR SEAT	
31	01206121	1	内六角螺栓M6X12	HEXAGON SOCKET BOLT M6X12	
32	13103180	1	切刀安装座	CUTTER MOUNT	
33	00506080	2	平垫圈M6	FLAT WASHER M6	

10. 电控箱装置/Electric control box device



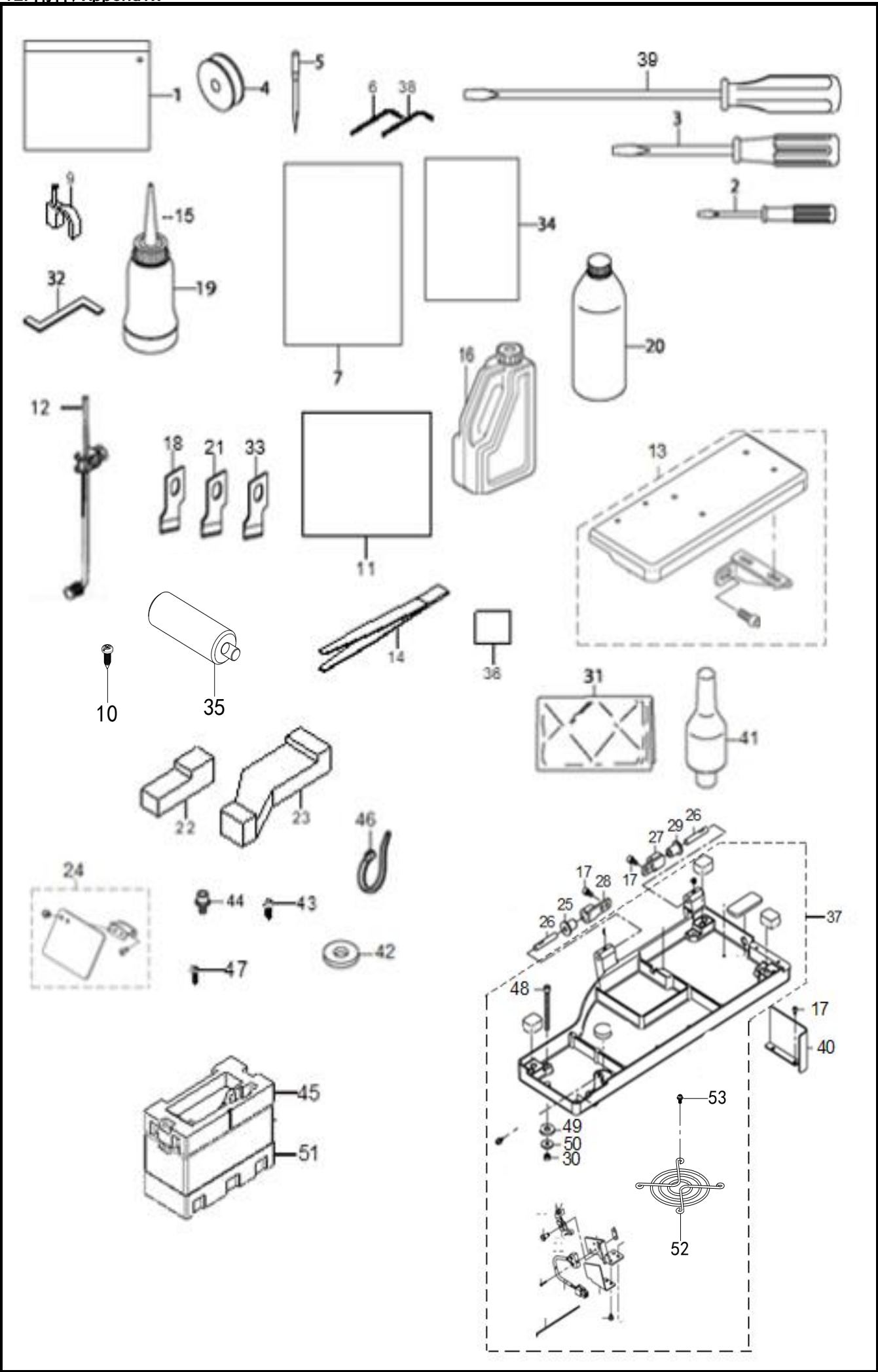
10. 电控箱装置/Electric control box device

NO	零部件号	数量	零部件名称	NAME OF PARTS	老助记码
1	10003170	1	1790DS电控箱	1790DS ELECTRIC CONTROL BOX	
2	10744610	1	脚踏板连接线	FOOT PEDAL CABLE	
3	10751970	1	感应器转接线	SENSOR ADAPTER CABLE	
4	10750780	1	电源转接线	POWER ADAPTER	
5	10745890	1	脚踏板转接线	PEDAL ADAPTER CABLE	
6	10752130	1	电源线	POWER CABLE	
7	10752150	1	安全开关转接线	SAFETY SWITCH ADAPTER CABLE	
8	10103380	1	踏板安装板	PEDAL MOUNTING PLATE	
9	02000157	3	木螺钉	WOOD SCREWS	
10	00705065	3	十字盘头螺钉M5X6	PHILLIPS PAN HEAD SCREW M5X6	
11	10822940	1	地线A		



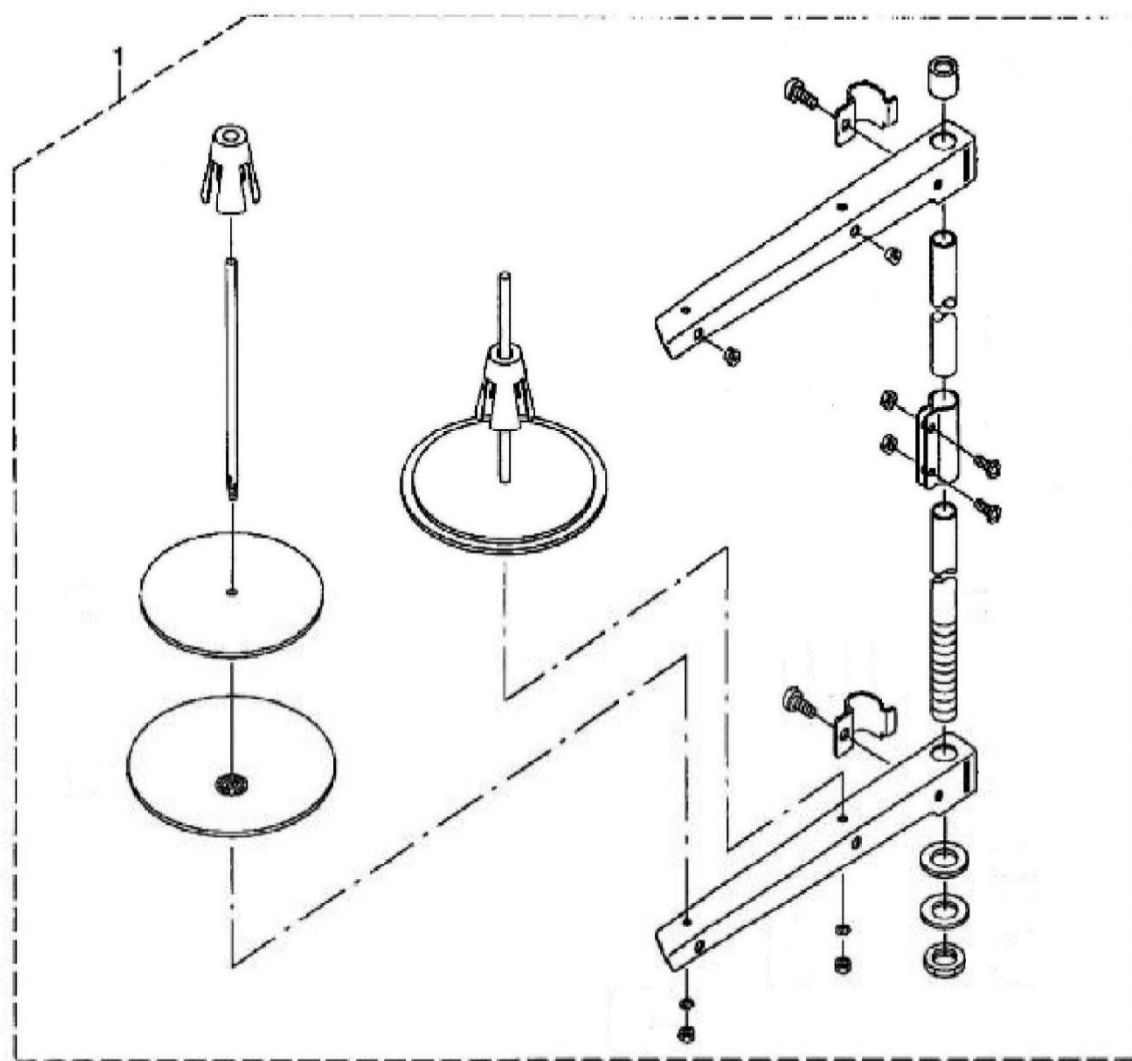
11. 操作屏装置/Operation screen device

NO	零部件号	数量	零部件名称	NAME OF PARTS	老助记码
1	10830750	1	触摸屏	TOUCH SCREEN	
2	10833550	1	安装座	MOUNTING SEAT	
3	10745880	1	触摸屏转接线	TOUCH SCREEN CABLE	
4	10744440	1	触摸屏连接线	TOUCH SCREEN ADAPTER CABLE	



12. 附件/Appendix

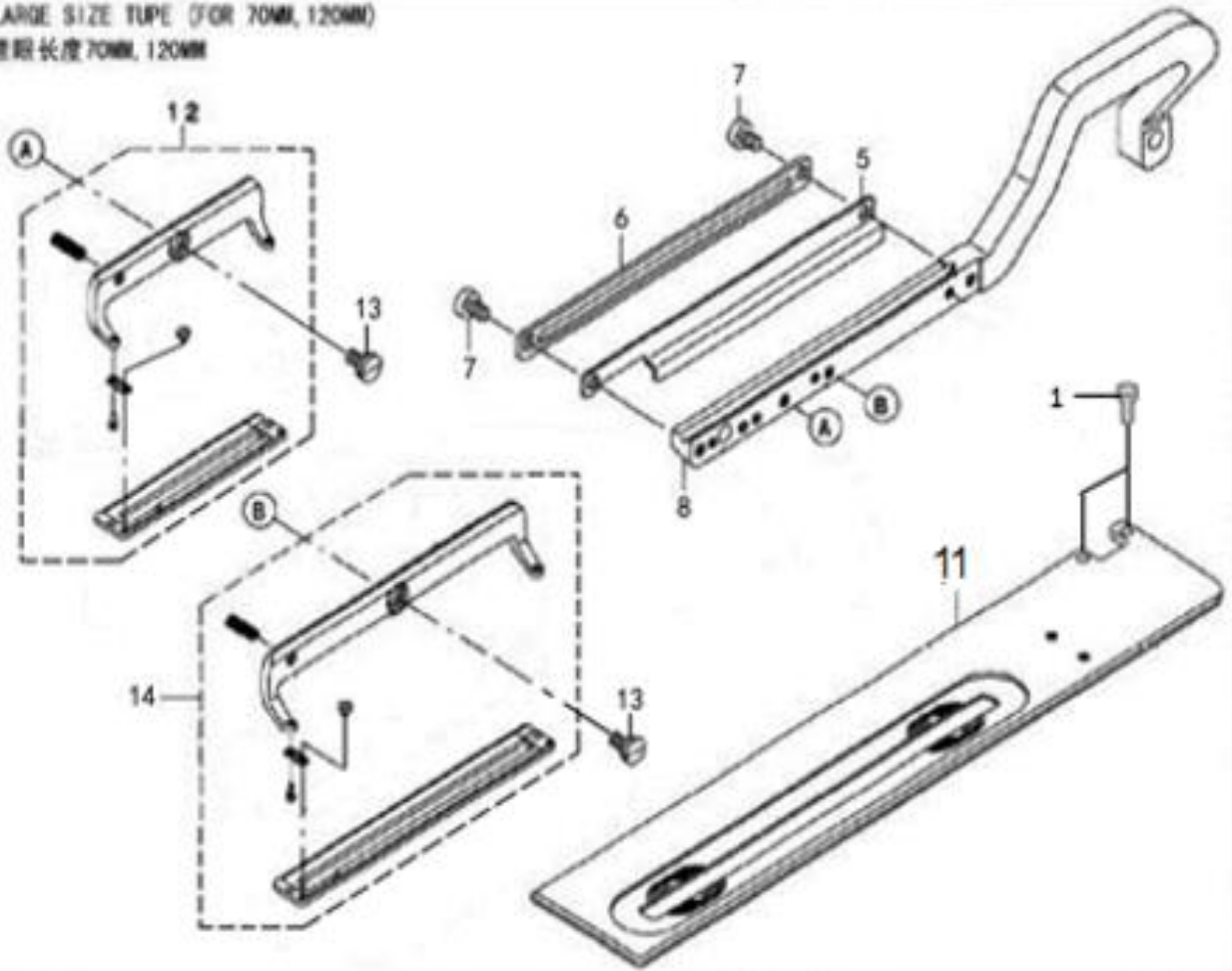
NO	零部件号	数量	零部件名称	NAME OF PARTS	老助记码
1	10103680	1	机头罩	HOOD	
2	10103530	1	小起子1.9X52	SMALL SCREWDRIVER 1.9X52	
3	10103540	1	起子3.4X70	SCREWDRIVER 3.4X70	
4	13101370	1	梭芯	BOBBIN	
5	10780500	4	机针DPX5 11#	MACHINE NEEDLE DPX5 11#	
6	13103620	1	内六角扳手	ALLEN WRENCH	
7	10814270	1	1790DS零件手册	1790DS PARTS MANUAL	
9	10103670	7	U形卡钉10X20	U-SHAPED STAPLES 10X20	
10	02000157	3	圆头木螺钉M4.5X20		
11	10104000	1	机头吸油纸	MACHINE HEAD BLOTTING PAPER	
12	13103650	1	拉杆组件(长)	TIE ROD ASSEMBLY (LONG)	
13	131-41	1	辅助桌板组件	1790DS AUXILIARY TABLE	
14	13206100	1	镊子	TWEEZERS	
15	10103790	1	润滑脂注入口	GREASE INLET	
16	10103480	1	油壶组件	OIL CAN COMPONENTS	
17	01206100	6	内六角螺栓(镀镍)M6X10	HEXAGON SOCKET HEAD BOLT M6X10	
18	13103680	1	切刀1吋	CUTTER 1 INCH	
19	10103780	1	润滑脂壳	GREASE SHELL	
20	10103490	1	油罐组件	OIL TANK COMPONENTS	
21	13103690	1	切刀5/8"	CUTTER 5/8"	
22	13103850	1	包装底垫块A(1790)	PACKING BOTTOM BLOCK A (1790)	
23	13103860	1	包装底垫块B(1790)	PACKING BOTTOM BLOCK B (1790)	
24	131-39	1	1790护目镜组件	1790 GOGGLES ASSEMBLY	
25	13100630	1	橡胶铰链(用于K款)	RUBBER HINGE (FOR K STYLE)	
25	13100620	1	橡胶铰链(用于S款)	RUBBER HINGE (FOR S STYLE)	
26	13100500	2	铰链轴	HINGE SHAFT	
27	13100510	1	铰链座A	HINGE SEAT A	
28	13100520	1	铰链座B	HINGE SEAT B	
29	13100490	1	铰链套	HINGE SLEEVE	
30	00406050	8	六角螺母M6*5	HEX NUT M6*5	
31	13100530	1	防油罩	OIL COVER	
32	13103630	1	定时调节钩(1790K)	TIMING ADJUSTMENT HOOK (1790K)	
32	13103720	1	定时调节钩(1790S)	TIMING ADJUSTMENT HOOK (1790S)	
33	13103730	1	切刀3/8"	CUTTER 3/8"	
34	10814280	1	1790DS使用说明书	1790DS INSTRUCTION MANUAL	
35	10772880	1	把手	HANDLE	
36	10106250	1	电源标签	POWER LABEL	
37	ZJ000169	1	1790DS油盘组件	1790DS OIL PAN ASSEMBLY	
38	13103770	1	内六角扳手M3	ALLEN KEY M3	
39	10103550	1	起子5.5X190	SCREWDRIVER 5.5X190	
40	13100450	1	底座盖板	BASE COVER	
41	13103810	1	机头支撑柱	HEAD SUPPORT COLUMN	
42	13100610	4	橡胶垫片(1790K)	RUBBER GASKET (1790K)	
42	13100600	4	橡胶垫片(1790S)	RUBBER GASKET (1790S)	
43	01745162	6	木螺钉M4.5X16	WOOD SCREW M4.5X16	
44	02000018	4	内六角螺栓M4X8(发黑)	HEXAGON SOCKET BOLT M4X8 (BLACKENED)	
45	10736200	1	1790DS上泡沫箱	1790DS UPPER FOAM BOX	
46	50104040	3	扎带4X150(黑色)	CABLE TIE 4X150 (BLACK)	
47	01735165	6	木螺钉M3.5X16	WOOD SCREW M3.5X16	
48	01206650	4	内六角螺栓M6X65	HEXAGON SOCKET BOLT M6X65	
49	00506070	4	平垫圈L6	FLAT WASHER L6	
50	00606000	4	弹簧垫圈2-6	SPRING WASHER 2-6	
51	10734640	1	1790DS下泡沫箱	1790DS LOWER FOAM BOX	
52	30131180	1	风扇保护罩(50x50)	FAN PROTECTION COVER (50X50)	
53	01504100	4	十字盘头螺钉M4X10	PHILLIPS PAN HEAD SCREW M4X10	



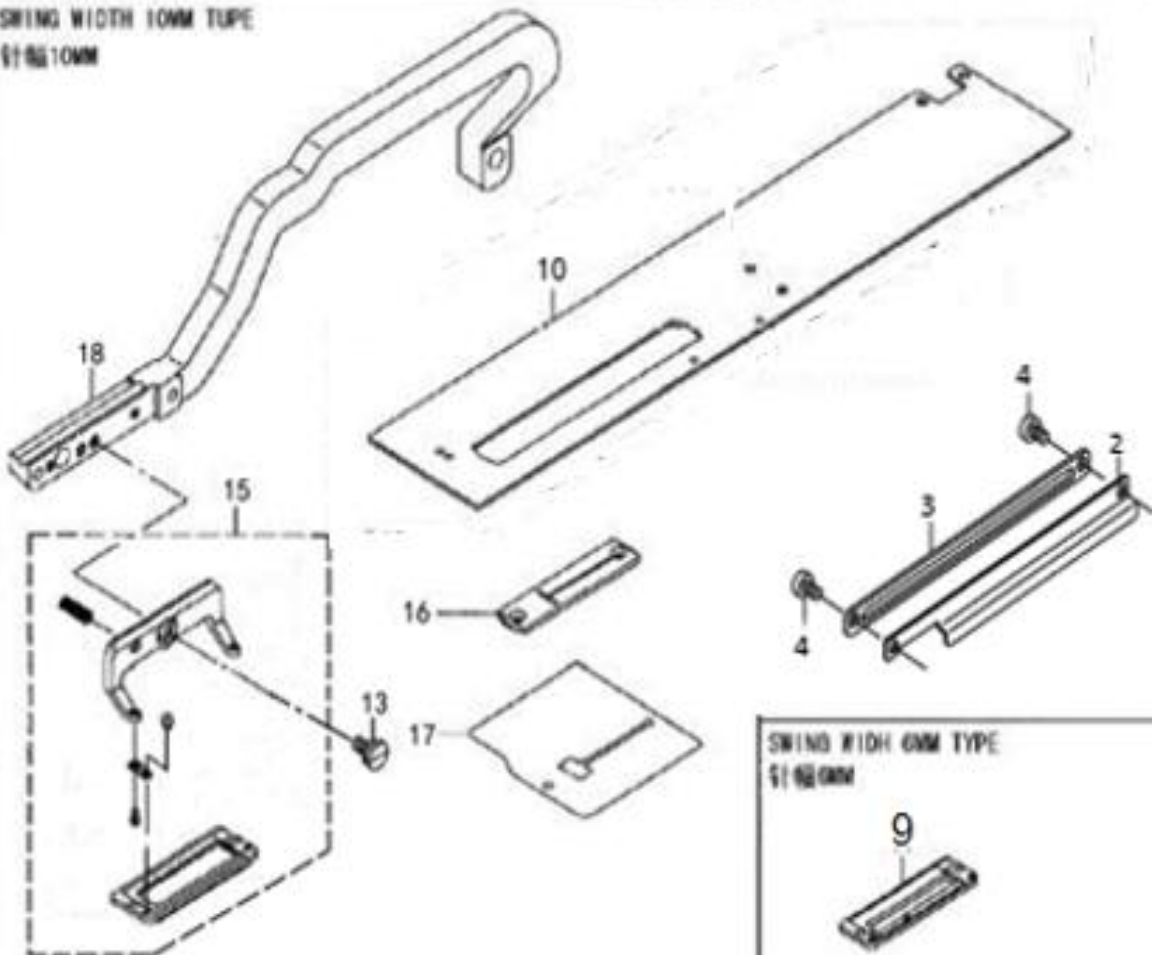
13. 线架装置部件/Wire rack device parts

NO	零部件号	数量	零部件名称	NAME OF PARTS	老助记码
1	10103650	1	线架组件2DR	WIRE RACK ASSEMBLY 2DR	

LARGE SIZE TUPE (FOR 70MM, 120MM)
 锁眼长度70MM, 120MM

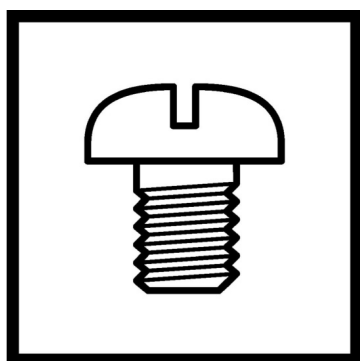


SWING WIDTH 10MM TUPE
 针幅10MM



14. 特殊类型部件/Special type parts

NO	零部件号	数量	零部件名称	NAME OF PARTS	老助记码
1	01204085	2	内六角螺栓M4X8	HEXAGON SOCKET BOLT M4X8	
2	13101870	1	剪线板	TRIMMING BOARD	
3	13101750	1	压脚前后送料导向板	FEEDING GUIDE PLATE BEFORE AND AFTER	
4	02000044	2	一字螺钉M5X8	SLOTTED SCREW M5X8	
5	13103920	1	剪线板120B	THREAD TRIMMING BOARD 120B	
6	13103930	1	压脚前后送料导向板120	PRESSER FOOT FEEDING GUIDE PLATE 120	
7	02000044	2	一字螺钉M5X8 (镀镍)	SLOTTED SCREW M5X8 (NICKEL-PLATED)	
8	13103940	1	压脚支架120MM	PRESSER FOOT BRACKET 120MM	
9	13104340	1	压脚板 (S) (宽幅10mm)	PRESSER FOOT PLATE (S) (WIDTH 10MM)	
10	13101540	1	送料板	FEEDING PLATE	
11	13103950	1	送料板120MM	FEEDING PLATE 120MM	
12	13101900	1	压脚组件 (1790S)	PRESSER FOOT ASSEMBLY (1790S)	
13	13104110	3	一字压脚螺钉 (镀镍)	SLOTTED PRESSER FOOT SCREW	
14	13103970	1	压脚组件120MM	PRESSER FOOT ASSEMBLY 120MM	
15	13101880	1	压脚组件 (1790K)	PRESSER FOOT ASSEMBLY (1790K)	
16	13104360	1	针板 (宽幅10mm)	NEEDLE PLATE (WIDTH 10MM)	
17	13104350	1	防油板 (宽幅10mm)	OIL-PROOF BOARD (WIDTH 10MM)	
18	13104330	1	压脚支架 (宽幅10mm)	PRESSER FOOT HOLDER (WIDTH 10MM)	



零件手册
PARTS BOOK

*注意：由于产品改进，本手册内容可能会与实际购买的产品有所不同，详情请咨询当地经销商。