

311G

326G

JH1508

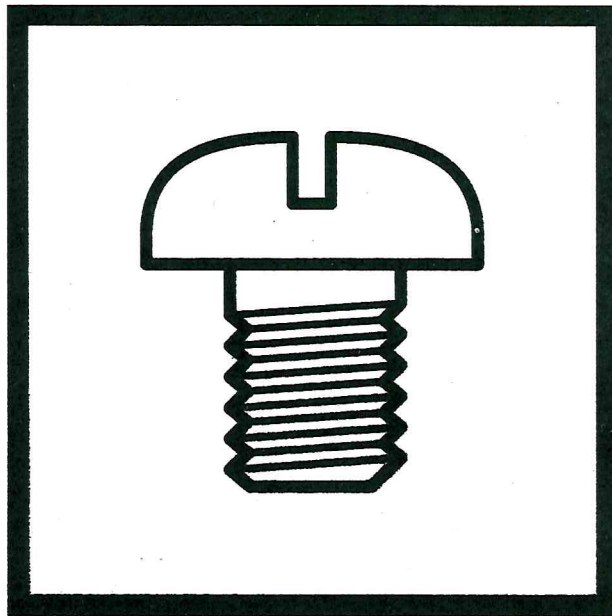
零件手册  
PARTS BOOK

直接驱动式

程序电脑花式机

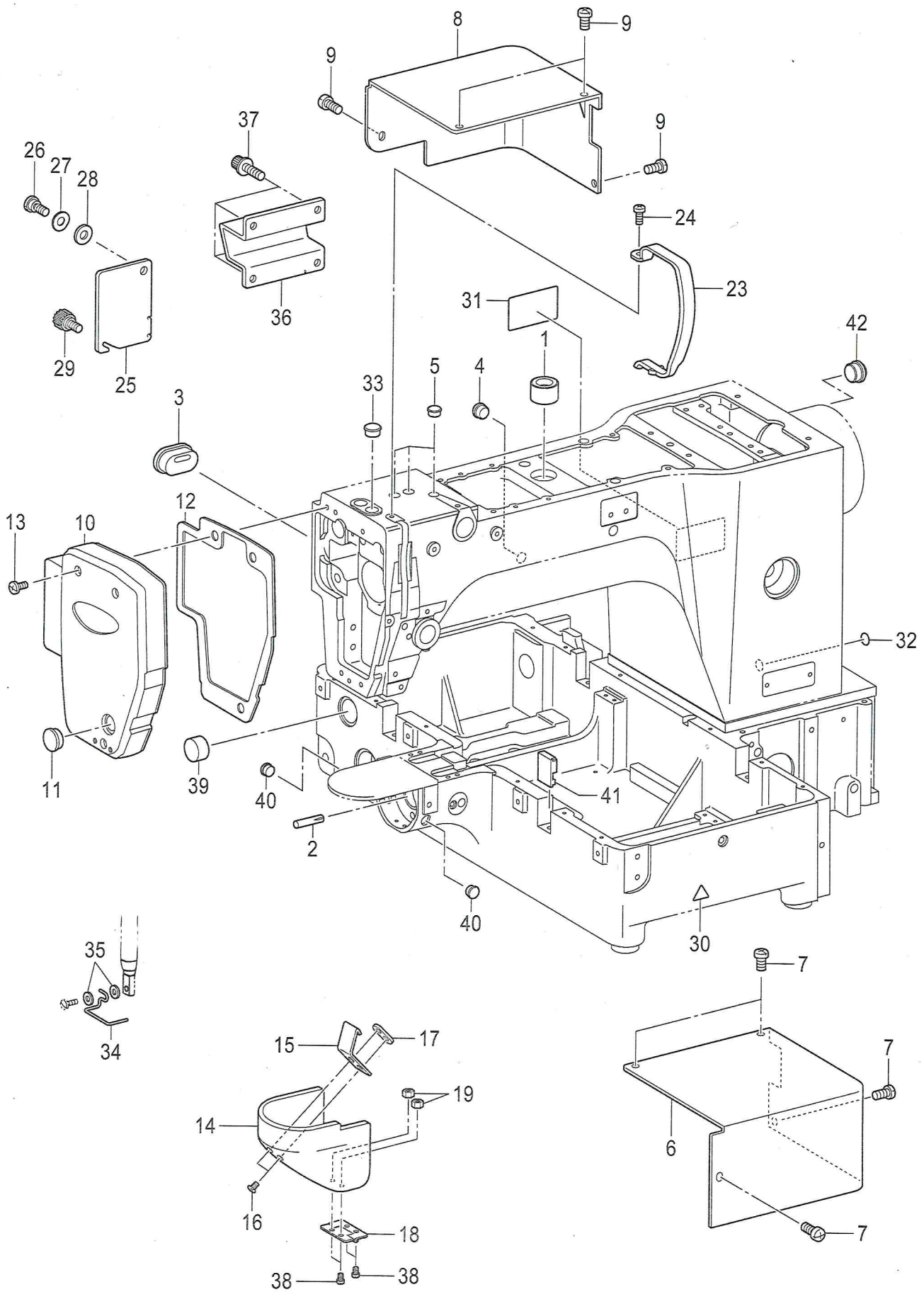
DIRECT DRIVE

PROGRAMMABLE ELECTRONIC PATTERN SEWER



最新的零部件情报请参考(Parts Navigation).  
The latest parts information, refer to the Parts Navigation.

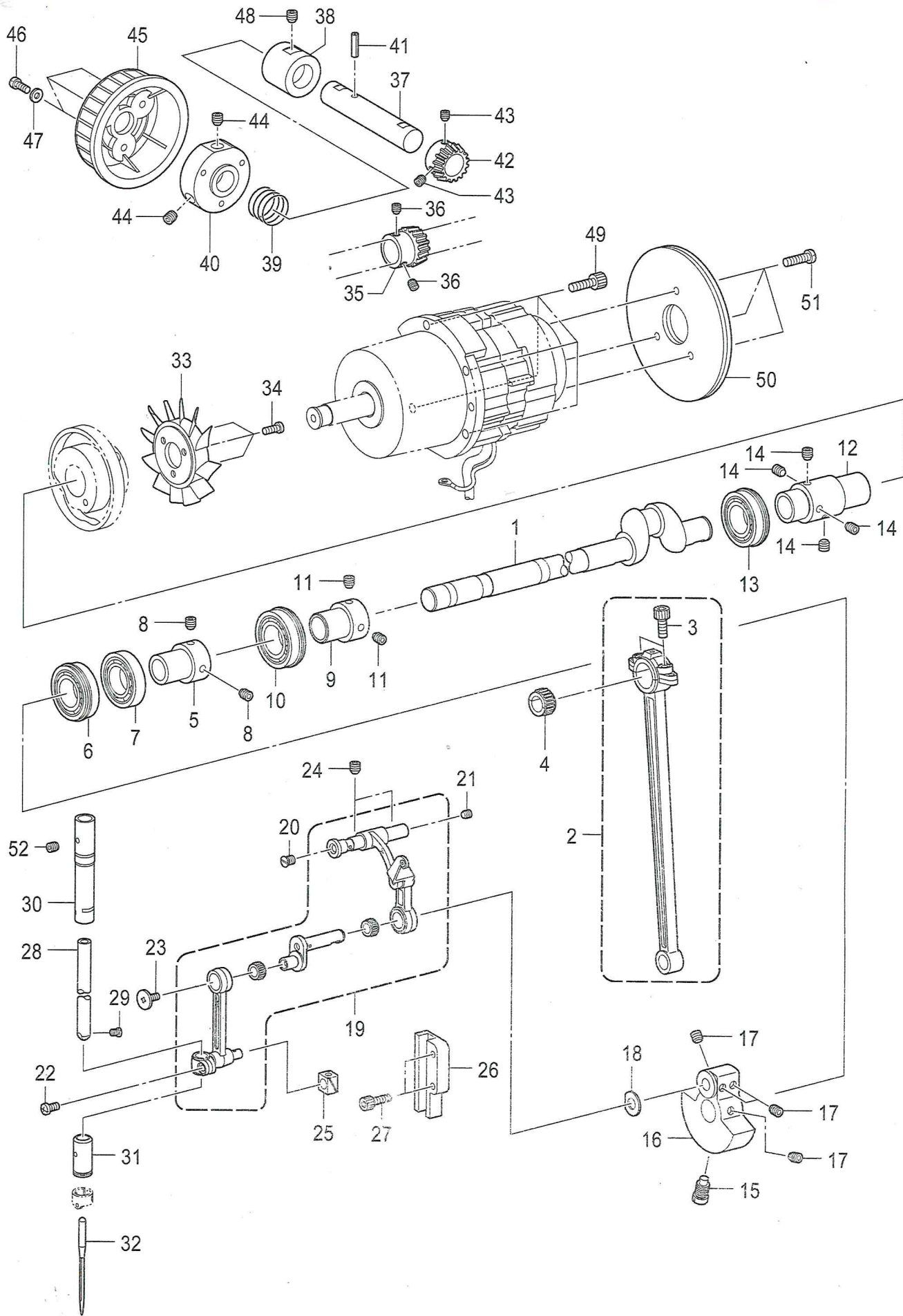
A. 机体部分 / Machine body



A. 机体部分 / Machine body

参照号	零部件序号	数量	零部件名称	NAME OF PARTS	RM
1	SA4594001	1	轴套 U	BUSHING U	
2	117608001	1	开口销	DOWEL PIN	
3	SA4596001	1	橡皮塞 20-15	RUBBER CAP 20-15	
4	117934001	1	橡皮塞 13.5	RUBBER CAP, 13.5	
5	104821001	3	橡皮塞 10.5	RUBBER CAP, 10.5	
6	SA4597001	1	马达盖 R	MOTOR COVER R	
7	062061016	4	螺钉 M6X10	SCREW PAN M6X10	
8	SA4598001	1	马达盖 L	MOTOR COVER L	
9	062061016	4	螺钉 M6X10	SCREW PAN M6X10	
10	SA4600001	1	面板	FACE PLATE	
11	104449001	1	橡皮塞 15.5	RUBBER CAP, 15.5	
12	SA4601001	1	面板垫片	F-PLATE PACKING	
13	062061016	3	螺钉 M6X10	SCREW PAN M6X10	
14	SA4603101	1	大旋梭盖	SHUTTLE RACE COVER	
15	SA6272001	1	大旋梭盖挂钩 D	SHUTTLE RACE COVER HOOK D	
16	004300513	2	螺钉 M3X5	SCREW, FLAT M3X5	
17	SA3264001	1	板螺母	NUT PLATE	
18	SA6207001	1	铰链	HINGE	
19	021300103	2	螺母 M3	NUT, 1 M3	
23	SA3200101	1	挑线杆防护罩	THREAD TAKE-UP COVER	
24	062401006	1	螺钉 M4X10	SCREW PAN M4X10	
25	SA4604001	1	间歇盖板	STEPPING COVER	
26	SA3306001	1	段螺钉 7-3	SHOULDER SCREW,7-3	
27	120265002	1	弹簧垫圈	SPRING WASHER	
28	S07350002	1	垫圈	WASHER PLAIN	
29	S36475000	1	螺钉 M5	SCREW, M5	
30	S36924002	1	警告标记	MARK, INJURY	
			<用于日本>	<For Japan only>	
31	SA0792001	1	操作注意标签(日/英)	LABEL, CAUTION JPN/ENG	
			<用于日本以外>	<For Except Japan>	
31	SA0793001	1	操作注意标签(中/英)	LABEL, CAUTION CHN/ENG	
32	S37060001	1	接地标记	LABEL, GROUNDING	
33	S20164001	1	橡皮塞 13	RUBBER CAP, 13	
34	S02445001	1	护指器	FINGER GUARD	
35	025350332	2	平垫圈 L3.5	WASHER PLAIN L 3.5	
36	SA4605001	1	机头撑杆	HEAD REST	
37	S42446001	4	螺栓 M6X14	BOLT, SOCKET (S/P WASHER)M6X14	
38	062300506	4	螺钉 M3X5	SCREW PAN M3X5	
39	SA6194001	1	橡皮塞 26	RUBBER CAP 26	
40	S44010001	2	橡皮塞 11.5	RUBBER CAP 11.5	
41	SA6441001	2	橡皮盖	RUBBER CAP	
42	S20164001	1	橡皮塞 13	RUBBER CAP 13	

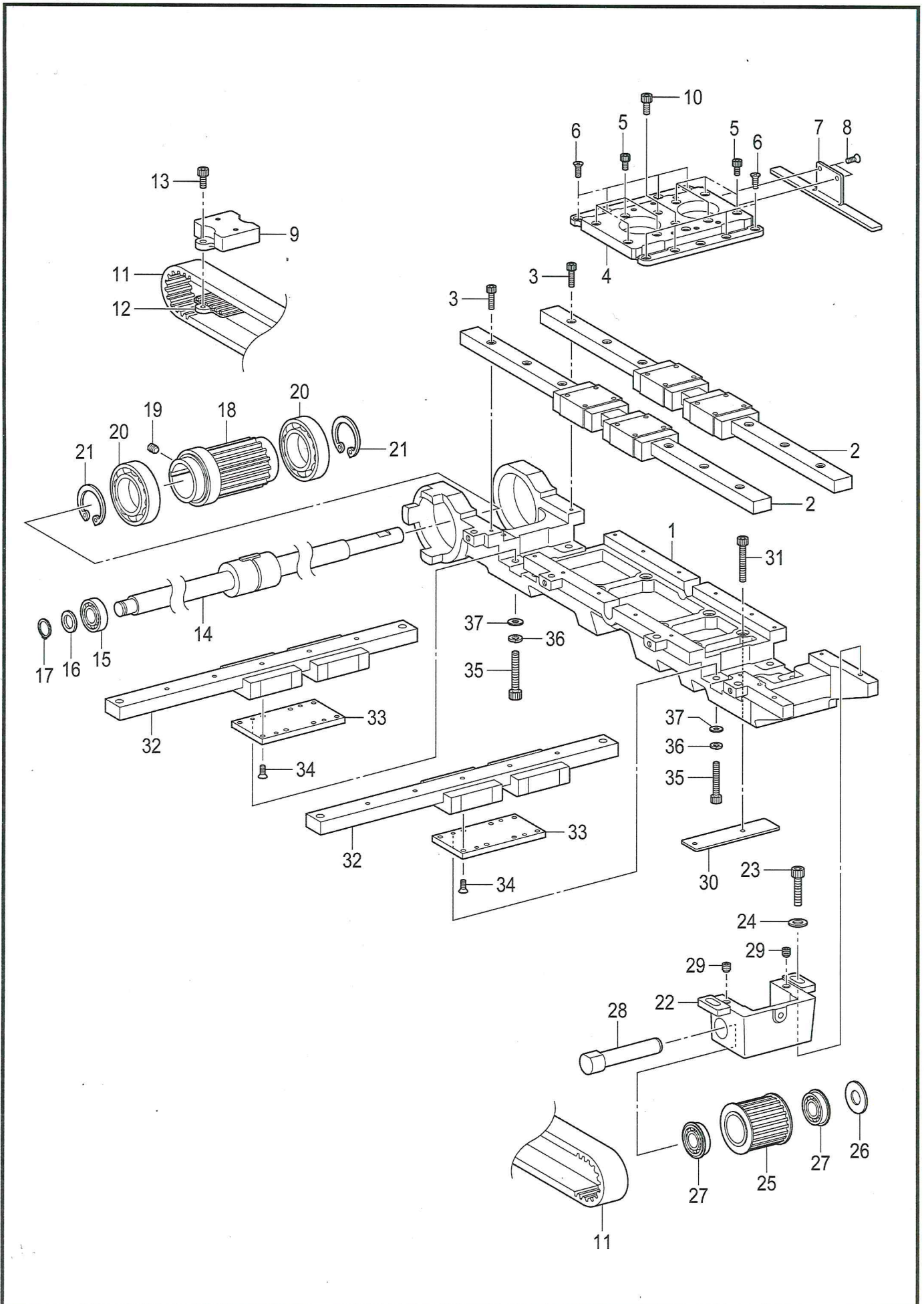
3. 上轴 · 针杆装置 / Upper shaft and needle bar mechanism



B. 上轴 · 针杆装置 / Upper shaft and needle bar mechanism

参照号	零部件序号	数量	零部件名称	NAME OF PARTS	RM
1	SA4606001	1	上轴	UPPER SHUFT	
2	SA3499001	1	曲柄轴组件	CRANK ROD ASSY	
3	018501636	2	螺栓 M5X16	BOLT SOCKET M5X16	
4	SA4172001	2	滚针轴承	NEEDLE BEARING: BLUE	
4	SA4173001	2	滚针轴承	NEEDLE BEARING: BLACK	
4	SA4174001	2	滚针轴承	NEEDLE BEARING: GRAY	
4	SA4175001	2	滚针轴承	NEEDLE BEARING: YELLOW	
5	SA3206001	1	轴承套	BALL BEARING BUSH	
6	SA4179001	1	轴承 6904DDUNR	BALL BEARING 6904DDUNR	
7	SA4180001	1	轴承 R-6904DDU	BALL BEARING 6904DDU	
8	S23651001	2	固定螺钉 M6X6	SET SCREW, SOCKET (FT) M6X6	
9	SA3206001	1	轴承套	BALL BEARING BUSH	
10	SA4177001	1	轴承 6004DDUNR	BALL BEARING 6004DDUNR	
11	S23651001	2	固定螺钉 M6X6	SET SCREW, SOCKET (FT) M6X6	
12	SA4608101	1	管接头 G	JOINT G	
13	SA4178001	1	轴承 6204DDUNR	BALL BEARING 6204DDUNR	
14	S23651001	4	固定螺钉 M6X6	SET SCREW, SOCKET (FT) M6X6	
15	S25235001	1	螺钉 M8	SCREW, M8	
16	SA4609101	1	曲柄 G	THREAD TAKE-UP CRANK G	
17	S23651001	4	固定螺钉 M6X6	SET SCREW, SOCKET (FT) M6X6	
18	110367001	1	垫圈 8	WASHER, PLAIN SPECIAL 8	
19	SA6182001	1	针杆连杆组件 FK	THREAD TAKE-UP LEVER FK SET	
20	SA2958001	1	螺钉 M5X6	SCREW FLAT M5X6	
21	012500536	1	螺钉 M5X5	SET SCREW SOCKET (FT) M5X5	
22	062400816	1	螺钉 M4X8	SCREW PAN M4X8	
23	145465001	1	螺钉 SM3.57-40X6L	SCREW, SM3.57-40X6 L	
24	012060636	2	螺钉 M6X6	SET SCREW SOCKET (FT) M6X6	
25	142211001	1	滑块	SLIDE BLOCK	
26	SA3528001	1	滑块导向 B	SLIDE BLOCK GUIDE	
27	018401636	2	螺栓 M4X16	BOLT SOCKET M4X16	
28	SA4622001	1	针杆	NEEDLE BAR	
29	144458001	1	螺钉 SM3.57-40X4.5	SET SCREW, SM3.57-40X4.5	
30	SA4666001	1	针杆轴套 UK	NEEDLE BAR BUSH UK	
31	SA3224001	1	针杆轴套 D	NEEDLE BAR BUSH, D	
32	* P. 67	1	机针	NEEDLE	
33	S38713100	1	叶轮	FAN	
34	062400816	3	螺钉 M4X8	SCREW PAN M4X8	
35	SA6108001	1	齿轮 R	PULLEY GEAR R	
36	012500536	2	螺钉 M5X5	SET SCREW SOCKET (FT) M5X5	
37	SA4626001	1	上轮轴	PULLEY SHUFT	
38	SA4627001	1	上轮轴套	PULLEY BUSH	
39	SA4628001	1	上轮弹簧	PULLEY SPRING	
40	SA4629001	1	上轮基座	PULLEY BASE	
41	047401242	1	弹簧销 4X12	PIN SPRING ROLL AW4	
42	SA4624001	1	齿轮	PULLEY GEAR L	
43	012500536	2	螺钉 M5X5	SET SCREW SOCKET (FT) M5X5	
44	S23651001	2	固定螺钉 M6X6	SET SCREW, SOCKET (FT) M6X6	
45	SA4630001	1	上轮	PULLEY	
46	062401006	3	螺钉 M4X10	SCREW PAN M4X10	
47	SA5158001	3	垫圈 L4	WASHER PLAIN L 4	
48	012060636	1	螺钉 M6X6	SET SCREW SOCKET (FT) M6X6	
49	018501636	4	螺栓 M5X16	BOLT SOCKET M5X16	
50	SA5230001	2	惯性轮 2	FRIES WHEEL 2	
51	062401016	3	螺钉 M4X10	SCREW PAN M4X10	
52	012060536	1	螺钉 M6X5	SET SCREW SOCKET (FT) M6X5	

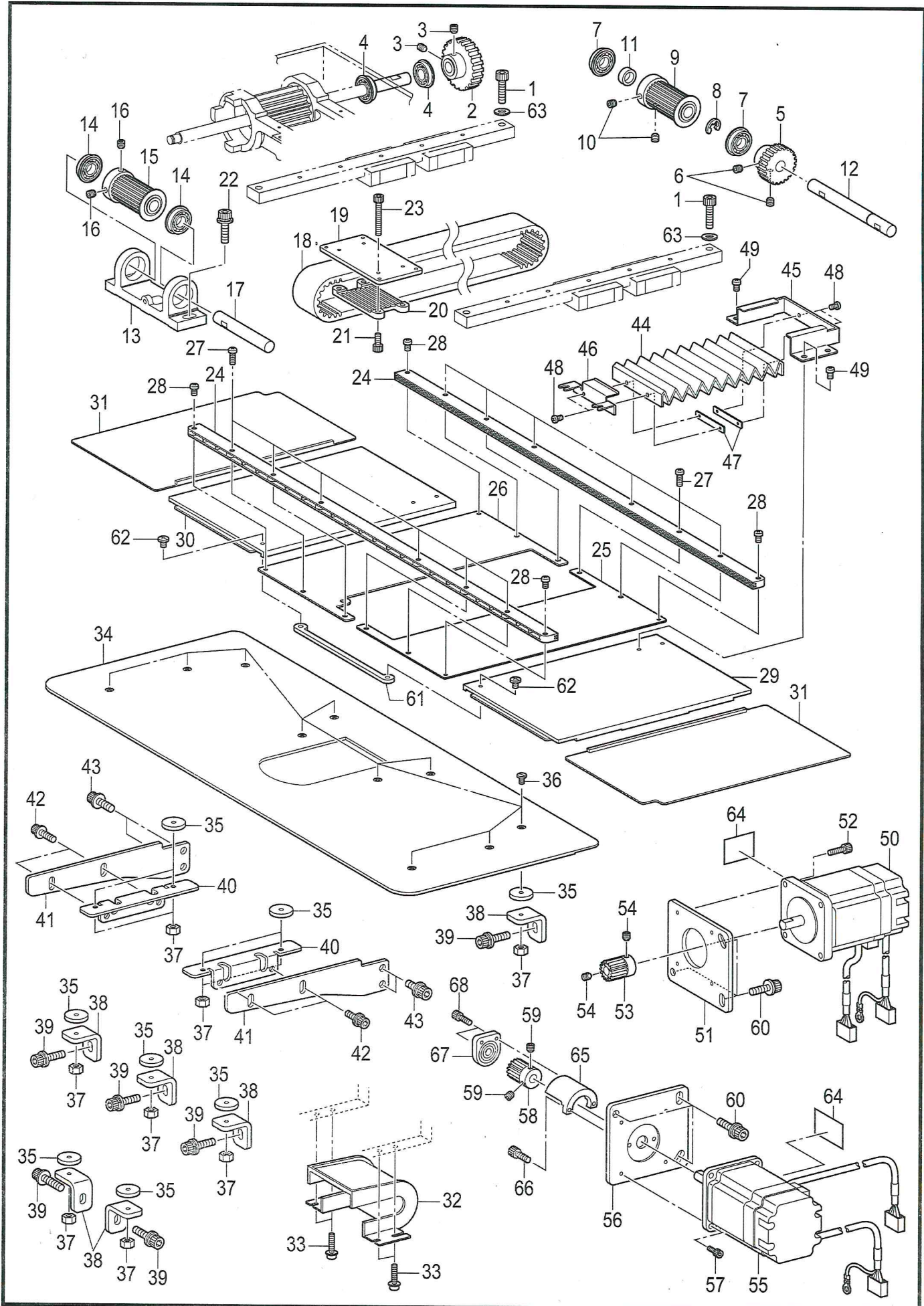
C1. 送料装置 / Feed mechanism



C1. 送料装置 / Feed mechanism

参照号	零部件序号	数量	零部件名称	NAME OF PARTS	RM
1	SA5229101	1	送布基座组件	FEED BRACKET ASSY	
2	SA4637001	2	X-LM导向	X-LM GUIDE	
3	018301436	15	螺栓 M3X14	BOLT SOCKET M3X14	
4	SA4635101	1	送布台 (X)	FEED BRACKET X	
5	018300636	8	螺栓 M3X6	BOLT SOCKET M3X6	
6	061300616	8	螺钉 M3X6	SCREW FLAT M3X6	
7	SA4636101	1	传感器板 (X)	X-SENSOR PLATE	
8	061300616	2	螺钉 M3X6	SCREW FLAT M3X6	
9	SA4641001	1	皮带支架 (X)	X-BELT HOLDER	
10	018400836	2	螺栓 M4X8	BOLT SOCKET M4X8	
11	SA4649001	1	X-GT皮带	X-GT BELT	
12	SA4640001	1	皮带支架板 (X)	X-BELT HOLDER PLATE	
13	018400836	2	螺栓 M4X8	BOLT SOCKET M4X8	
14	SA4639001	1	花键轴 (Y)	Y-BALL SPLINE	
15	076000600	1	球轴承 6000VV	BALL BEARING RADIAL 6000VV	
16	025100132	1	平垫圈 S10	WASHER PLAIN S 10	
17	048100142	1	轴用挡圈 C10	RETAINING RING EXTERNAL C10	
18	SA4638001	1	X-左轮	X-LEFT PULLEY	
19	012060636	1	螺钉 M6X6	SET SCREW SOCKET (FT) M6X6	
20	076806606	2	球轴承 6806VV	BALL BEARING 6806VV	
21	048420242	2	孔用挡圈 C42	RETAINING RING INTERNAL C42	
22	SA4642001	1	X-轮基座	X-PULLEY BRACKET	
23	018501636	2	螺栓 M5X16	BOLT SOCKET M5X16	
24	025050236	2	平垫圈 M5	WASHER PLAIN M 5	
25	SA4643001	1	X-右轮组件	X-RIGHT PULLEY ASSY	
26	S20356001	1	平垫圈 10	WASHER, PLAIN 10	
27	SA4647001	2	球轴承 6900ZZNR	BALL BEARING 6900ZZNR	
28	SA4648001	1	X-轮支点轴	X-PULLEY FULCRUM SHAFT	
29	012060636	2	螺钉 M6X6	SET SCREW SOCKET (FT) M6X6	
30	SA4650001	1	Y-传感板	Y-SENSOR PLATE	
31	018402036	2	螺栓 M4X20	BOLT SOCKET M4X20	
32	SA4651101	2	Y-LM导向	Y-LM GUIDE	
33	SA4652101	2	Y-LM垫片	Y-LM SPACER	
34	061300616	16	螺钉 M3X6	SCREW FLAT M3X6	
35	018402036	8	螺栓 M4X20	BOLT SOCKET M4X20	
36	025040236	8	平垫圈 M4	WASHER PLAIN M 4	
37	028040246	8	弹簧垫圈 2-4	WASHER SPRING 2-4	

C2. 送料装置 / Feed mechanism

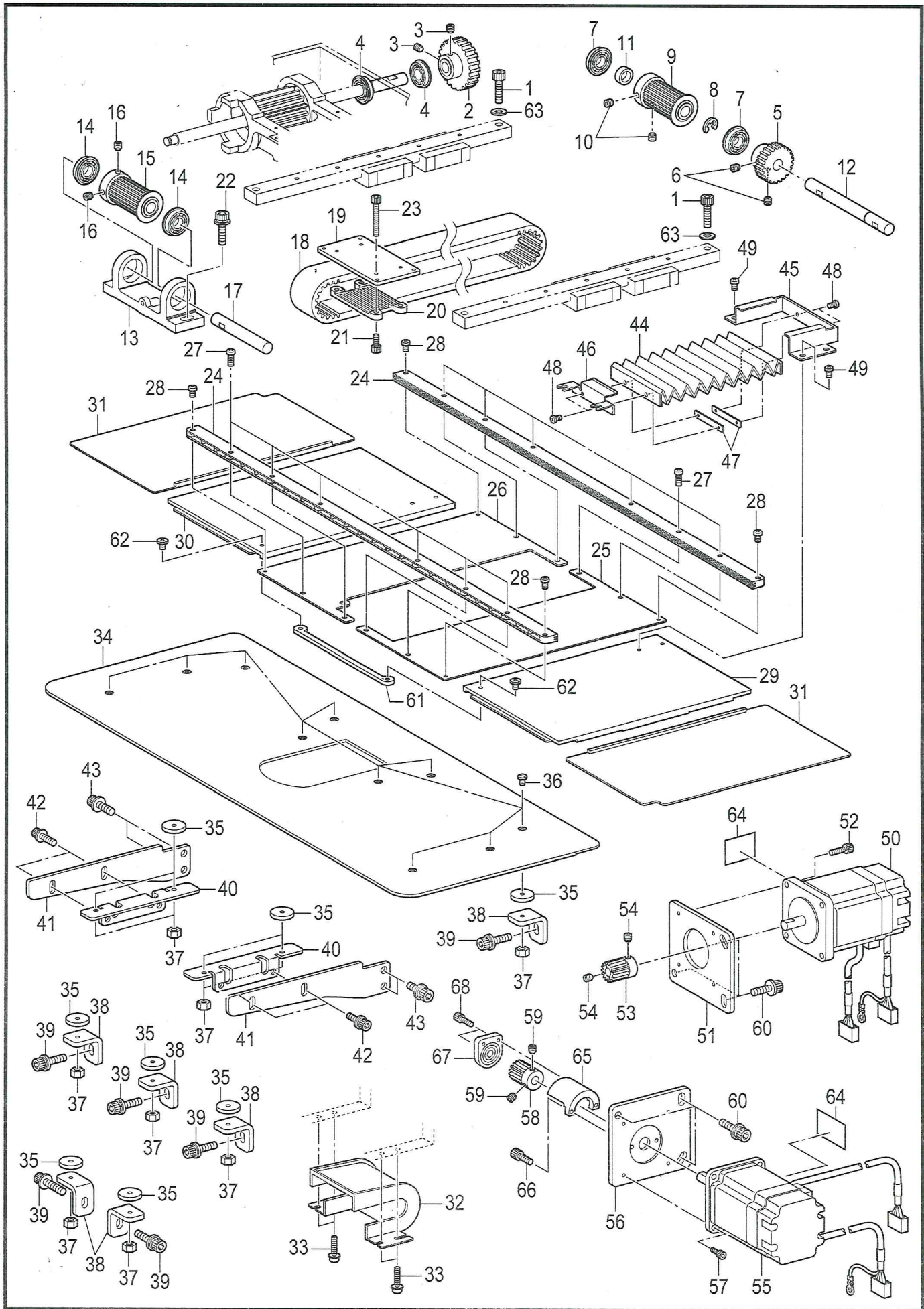




## C2. 送料装置 / Feed mechanism

参照号	零部件序号	数量	零部件名称	NAME OF PARTS	RM
1	018062036	4	螺栓 M6X20	BOLT SOCKET M6X20	
2	SA4653001	1	X-送布齿轮	X-FEED GEAR	
3	012060636	2	螺钉 M6X6	SET SCREW SOCKET (FT) M6X6	
4	SA4647001	2	球轴承 6900ZZNR	BALL BEARING 6900ZZNR	
5	SA4654001	1	Y-送布齿轮	Y-FEED GEAR	
6	012060636	2	螺钉 M6X6	SET SCREW SOCKET (FT) M6X6	
7	SA4647001	2	球轴承 6900ZZNR	BALL BEARING 6900ZZNR	
8	048080342	1	挡圈 E8	RETAINING RING E8	
9	SA4655101	1	Y-轮组件	Y-PULLEY ASSY	
10	012060636	2	螺钉 M6X6	SET SCREW SOCKET (FT) M6X6	
11	SA4658001	1	Y-轮轴套	Y-PULLEY COLLAR	
12	SA4659001	1	Y-驱动轴	Y-PULLEY DRIVING SHAFT	
13	SA4661001	1	Y-轮基座	Y-PULLEY BRACKET	
14	SA4647001	2	球轴承 6900ZZNR	BALL BEARING 6900ZZNR	
15	SA4655101	1	Y-轮组件	Y-PULLEY ASSY	
16	012060636	2	螺钉 M6X6	SET SCREW SOCKET (FT) M6X6	
17	SA4662001	1	Y-轮支点轴	Y-PULLEY FULCRUM SHAFT	
18	SA4663001	1	Y-GT皮带	Y-GT BELT	
19	SA4664001	1	Y-皮带支架板	BELT SUPPORT PLATE Y	
20	SA4665001	1	Y-皮带支撑板	Y-BELT WORK CLAMP PLATE	
21	018400836	4	螺栓 M4X8	BOLT SOCKET M4X8	
22	SA2972001	2	螺栓 M6X18	BOLT, SOCKET (S/P WASHER)M6X18	
23	018402036	4	螺栓 M4X20	BOLT SOCKET M4X20	
24	SA4667101	2	盖轨道	COVER RAIL	
25	SA4671001	1	固定盖 (R)	FIXATION R	
26	SA4672001	1	固定盖 (L)	FIXATION L	
27	062401016	12	螺钉 M4X10	SCREW PAN M4X10	
28	062400416	4	螺钉 M4X4	SCREW, PAN M4X4	
29	SA6359001	1	内盖组件 R	INSIDE COVER R ASSY	
30	SA6360001	1	内盖组件 L	INSIDE COVER L ASSY	
31	SA6361001	2	外盖组件	OUTSIDE COVER ASSY	
32	SA4673001	1	Y-皮带轮盖	BELT COVER Y	
33	0A5401006	4	螺栓(带垫圈) M4X10DB	SCREW PAN (S/P WASHER) M4X10	
34	SA4675201	1	补助板	AUXILIARY PLATE	
35	SA4677101	10	补助板缓冲	AUXILIARY PLATE CUSHION	
36	S23849001	10	螺钉 M4X16	SCREW,M4X16	
37	021400216	10	六角螺母 M4	NUT 2 M4	
38	SA4676001	6	补助板支架	AUXILIARY PLATE BRACKET	
39	S42446001	6	螺栓 M6X14	BOLT, SOCKET (S/P WASHER)M6X14	
40	SA6434001	2	补助板支架 U	SUPPORT PLATE GUIDE U	
41	SA6435001	2	补助板支架 D	SUPPORT PLATE GUIDE D	
42	S55484002	4	螺栓(带垫圈) M5X10	BOLT, SOCKET (S/P WASHER)M5X10	
43	S42446001	4	螺栓 M6X14	BOLT, SOCKET (S/P WASHER)M6X14	
44	SA4679101	1	蛇纹管	BELLOW	
45	SA4680101	1	蛇纹管支架 R	BELLOW PRESSER R	
46	SA4681001	1	蛇纹管支架 F	BELLOW PRESSER F	
47	SA4682001	2	螺母	BELLOW NUT	
48	062300416	4	螺钉 M3X4	SCREW PAN M3X4	
49	062400416	4	螺钉 M4X4	SCREW, PAN M4X4	
50	SA4820201	1	脉冲马达组件 X	PULSE MOTOR ASSY X	
51	SA4684001	1	马达安装板	MOTOR BRACKET PLATE	
52	018401036	4	螺栓 M4X10	BOLT SOCKET M4X10	
53	SA3707001	1	驱动齿轮 16	GEAR 16	
54	012060536	2	螺钉 M6X5	SET SCREW SOCKET (FT) M6X5	
55	SA4823101	1	脉冲马达组件 Y	PULSE MOTOR ASSY Y	
56	SA4684001	1	马达安装板	MOTOR BRACKET PLATE	
57	018401036	4	螺栓 M4X10	BOLT SOCKET M4X10	
58	SA3707001	1	驱动齿轮 16	GEAR 16	
59	012060536	2	螺钉 M6X5	SET SCREW SOCKET (FT) M6X5	
60	S42446001	6	螺栓 M6X14	BOLT, SOCKET (S/P WASHER)M6X14	
61	SA6306001	1	盖连接板	COVER CONNECT PLATE	

C2. 送料装置 / Feed mechanism

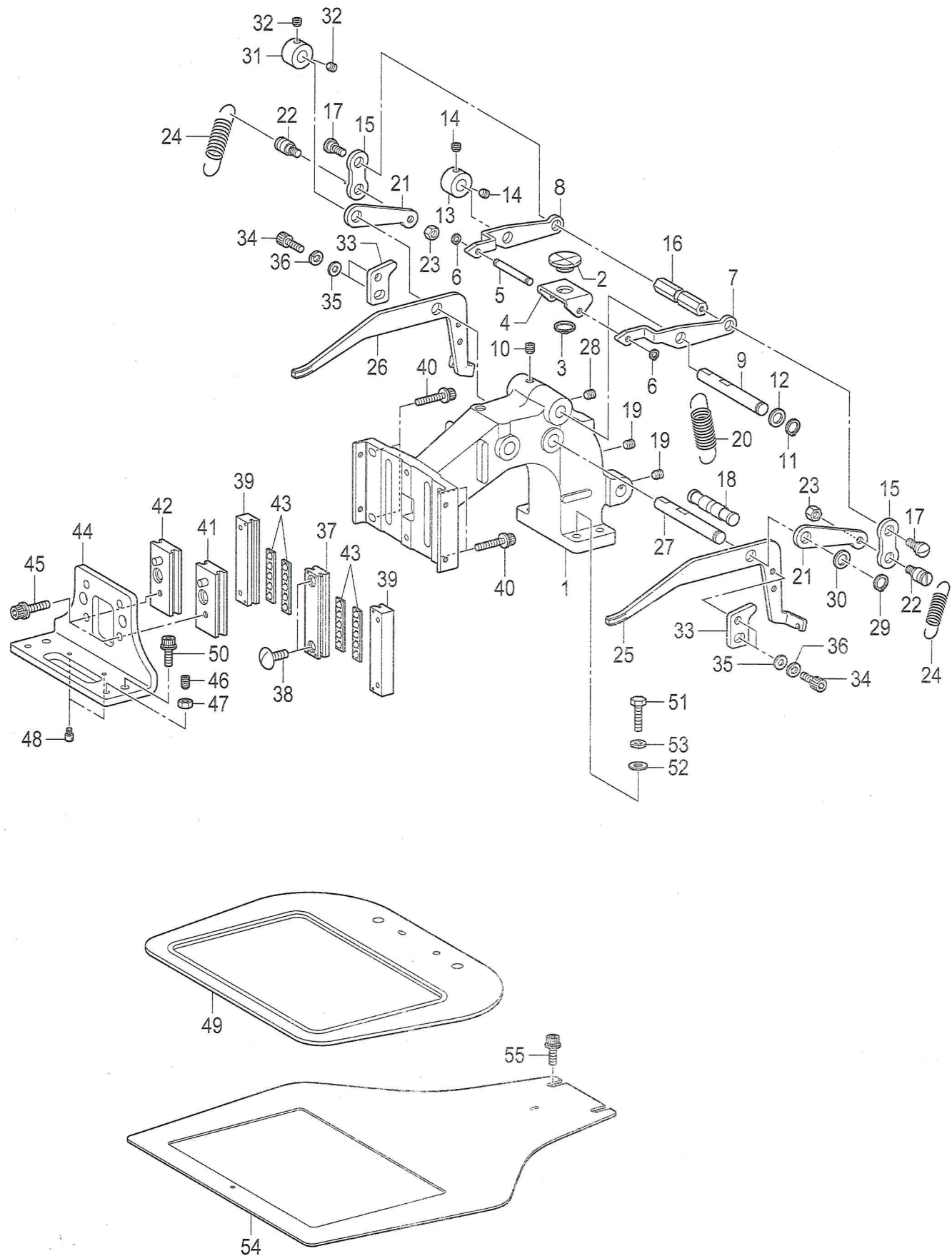


C2. 送料装置 / Feed mechanism

参照号	零部件序号	数量	零部件名称	NAME OF PARTS	RM
62	S23418001	2	螺钉 M4X5	SCREW, M4X5	
63	118735001	4	垫圈	WASHER	
64	SA4224001	2	注意符号 30X40	MARK, ATTENTION 30X40	
65	SA6450101	1	轴承支架座	BEARING HOLDER BASE	
66	018501036	2	螺栓 M5X10	BOLT SOCKET M5X10	
67	SA6451101	1	轴承支架组件	BEARING HOLDER ASSY	
68	018401036	2	螺栓 M4X10	BOLT SOCKET M4X10	

# C3. 送料装置 / Feed mechanism

< 电磁式 / For Solenoid type >

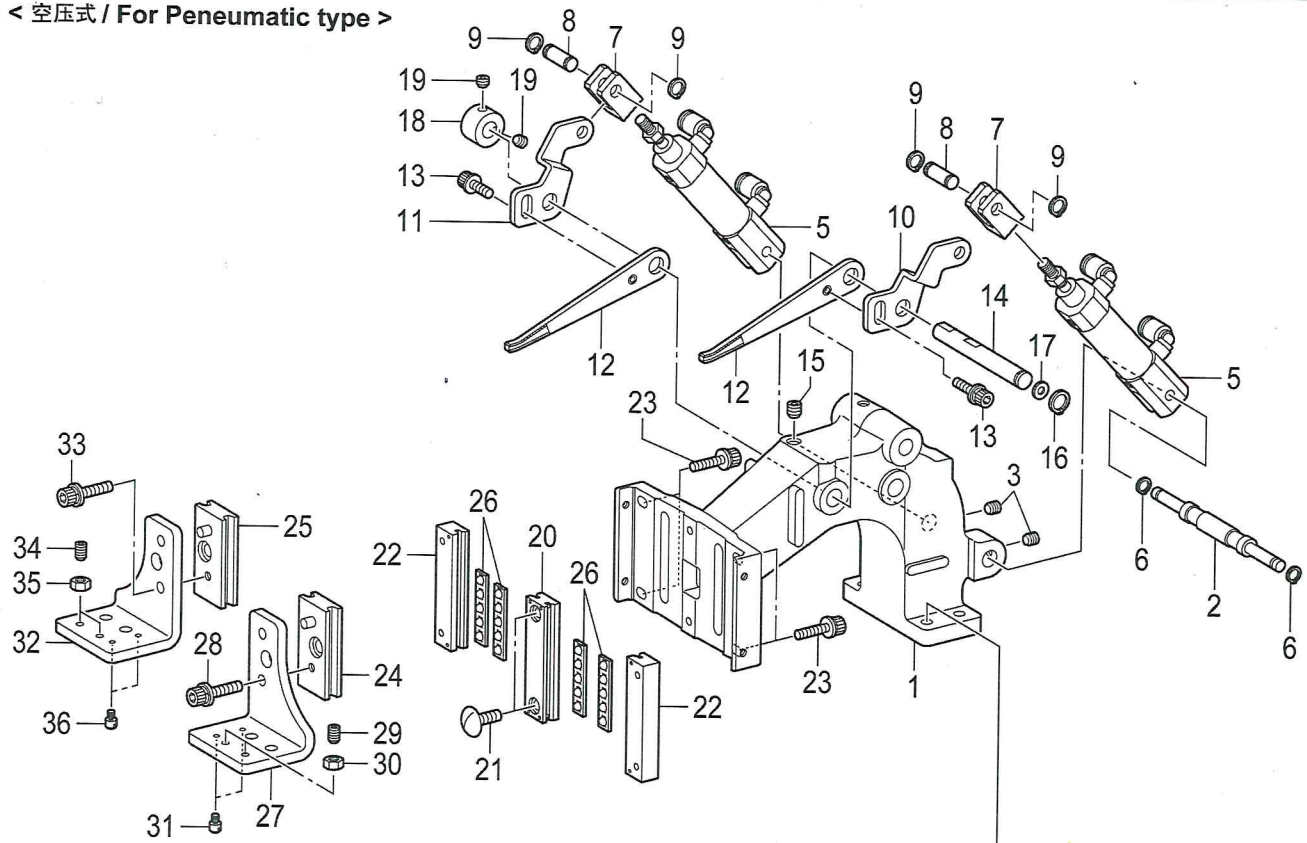


C3: 送料装置 / Feed mechanism

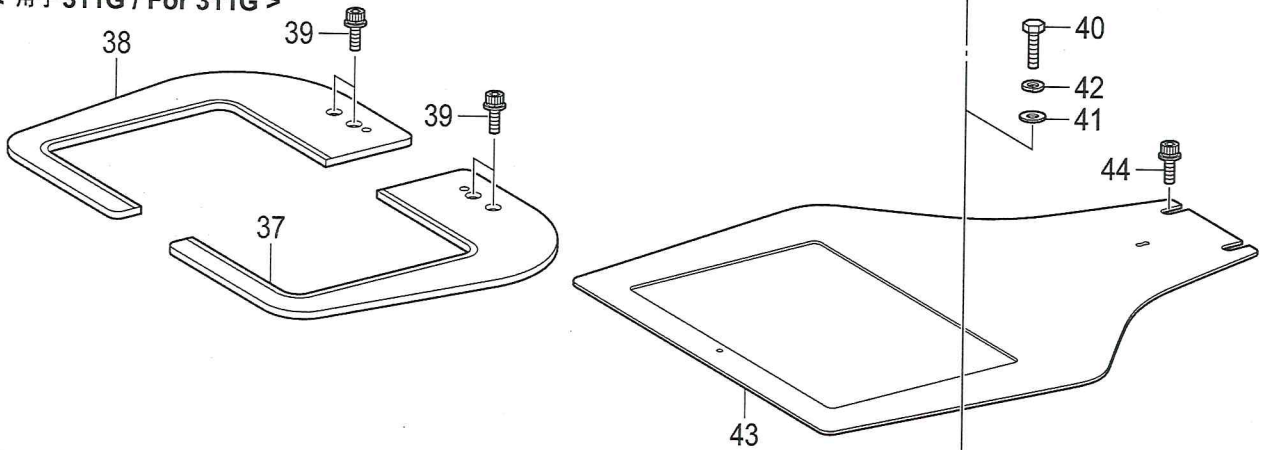
参照号	零部件序号	数量	零部件名称	NAME OF PARTS	RM
			<电磁式>	<For Solenoid type>	
1	SA4686101	1	压脚臂	WORK CLAMP	
2	SA4687101	1	滑块	SLIDER	
3	048100142	1	轴用挡圈 C10	RETAINING RING EXTERNAL C10	
4	SA4688001	1	滑块支架	SUPPORT SLIDER	
5	SA4689001	1	滑块支架轴	SUPPORT SHAFT SLIDER	
6	048040142	2	轴用挡圈 C4	RETAINING RING EXTERNAL C4	
7	SA4690001	1	压脚柄 R	WORK CLAMP LIFTER LEVER R	
8	SA4691001	1	压脚柄 L	WORK CLAMP LIFTER LEVER L	
9	SA4692001	1	压脚臂杆轴	WORK CLAMP LIFTER SHAFT	
10	012060636	1	螺钉 M6X6	SET SCREW SOCKET (FT) M6X6	
11	048080142	1	轴用挡圈 C8	RETAINING RING EXTERNAL C8	
12	110367001	1	垫圈 8	WASHER, PLAIN SPECIAL 8	
13	SA3231001	1	紧圈 B	SET SCREW COLLAR,B	
14	012060536	2	螺钉 M6X5	SET SCREW, SOCKET (FT) M6X5	
15	SA4696001	2	连杆	CONNECTING ROD	
16	SA4693001	1	弹簧挂钩轴 A	SPRING HOLDER SHAFT A	
17	SA4697001	2	段螺钉 M5	SHOULDER SCREW M5	
18	SA4694001	1	弹簧挂钩轴 B	SPRING HOLDER SHAFT B	
19	012060636	2	螺钉 M6X6	SET SCREW SOCKET (FT) M6X6	
20	SA4695001	1	弹簧	SPRING LIFT	
21	SA4698001	2	连接板	CONNECTING LINK	
22	SA4700001	2	弹簧挂钩	WORK CLAMP SPRING HOLDER	
23	021500216	2	六角螺母 M5	NUT 2 M5	
24	SA4701001	2	弹簧	WORK CLAMP SPRING	
25	SA4702001	1	压脚臂杆 R	WORK CLAMP LIFTER LEVER R	
26	SA4703001	1	压脚臂杆 L	WORK CLAMP LIFTER LEVER L	
27	SA4692001	1	压脚臂杆轴	WORK CLAMP LIFTER SHAFT	
28	012060636	1	螺钉 M6X6	SET SCREW SOCKET (FT) M6X6	
29	048080142	1	轴用挡圈 C8	RETAINING RING EXTERNAL C8	
30	110367001	1	垫圈 8	WASHER, PLAIN SPECIAL 8	
31	SA3231001	1	紧圈 B	SET SCREW COLLAR,B	
32	012060536	2	螺钉 M6X5	SET SCREW, SOCKET (FT) M6X5	
33	SA4699001	2	定位	STOPPER	
34	018500836	4	螺栓 M5X8	BOLT SOCKET M5X8	
35	025050236	4	平垫圈 M5	WASHER PLAIN M 5	
36	028050246	4	弹簧垫圈 2-5	WASHER SPRING 2-5	
37	SA4863001	1	压脚导向组件 A	WORK CLAMP GUIDE A ASSY	
38	S23849001	2	螺钉 M4X16	SCREW, M4X16	
39	SA4864001	2	压脚导向组件 B	WORK CLAMP GUIDE B ASSY	
40	S55482001	4	螺栓(带垫圈) M4X14	BOLT, SOCKET (S/P WASHER)M4X14	
41	SA4712001	1	压脚滑块组件 R	WORK CLAMP SLIDER ASSY R	
42	SA4714001	1	压脚滑块组件 L	WORK CLAMP SLIDER ASSY L	
43	SA4706101	4	压脚挡板组件	WORK CLAMP RETAINER ASSY	
44	SA4708001	1	压脚	WORK CLAMP	
45	S55485001	2	螺栓(带垫圈) M5X12	BOLT, SOCKET (S/P WASHER)M5X12	
46	012501031	2	螺钉 M5X10	SET SCREW SOCKET (FT) M5X10	
47	021500216	2	六角螺母 M5	NUT 2 M5	
48	SA4709001	2	定位段螺钉	SHOULDER SCREW	
49	SA4866101	1	压板组件 311	WORK CLAMP 311 ASSY	
50	S55484002	2	螺栓(带垫圈) M5X10	BOLT, SOCKET (S/P WASHER)M5X10	
51	017501616	4	螺栓 M5X16	BOLT M5X16	
52	025050236	4	平垫圈 M5	WASHER PLAIN M 5	
53	028050246	4	弹簧垫圈 2-5	WASHER SPRING 2-5	
54	SA4715001	1	送料板 311G	FEED PLATE 311G	
55	S55484002	2	螺栓(带垫圈) M5X10	BOLT, SOCKET (S/P WASHER)M5X10	

C4 . 送料装置 / Feed mechanism

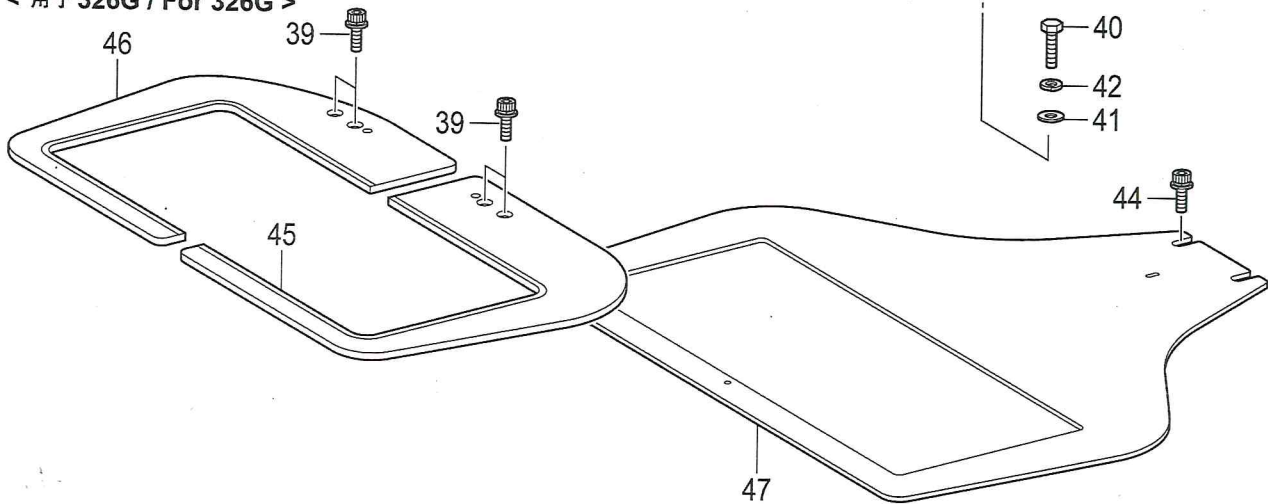
< 空压式 / For Pneumatic type >



< 用于 311G / For 311G >



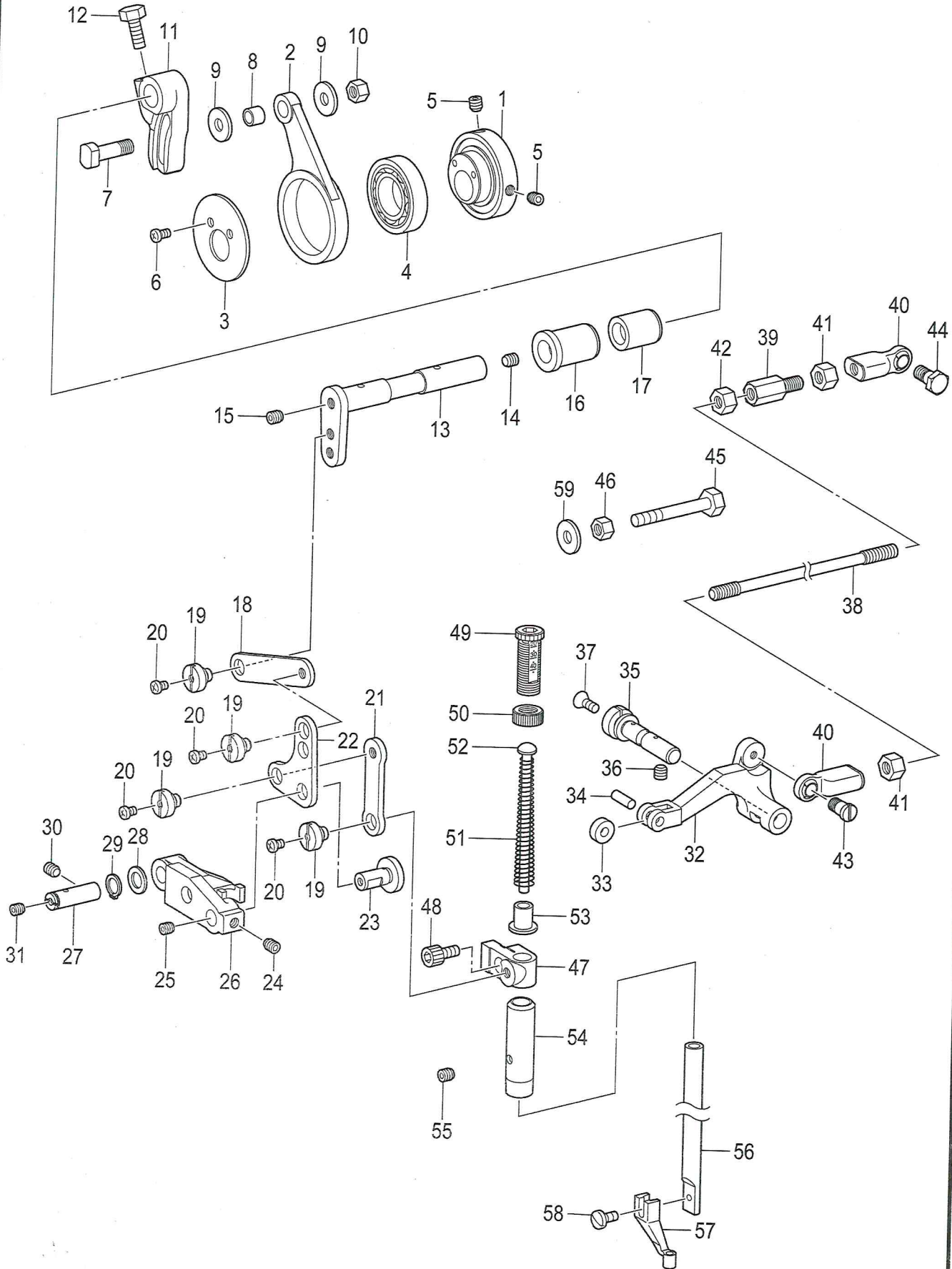
< 用于 326G / For 326G >



## C4. 送料装置 / Feed mechanism

参照号	零部件序号	数量	零部件名称	NAME OF PARTS	RM
			<空压式>	<For Pneumatic type>	
1	SA4686101	1	压脚臂	WORK CLAMP	
2	SA4717001	1	气缸轴	CYLINDER SHAFT	
3	012060636	2	螺钉 M6X6	SET SCREW SOCKET (FT) M6X6	
5	SA4719001	2	气缸组件 R	AIR CYLINDER ASSY	
6	048050142	2	轴用挡圈 C5	RETAINING RING EXTERNAL C5	
7	SA4720001	2	气缸接头	CYLINDER JOINT	
8	SA4721001	2	气缸接头轴	CYLINDER JOINT SHAFT	
9	048060142	4	轴用挡圈 C6	RETAINING RING EXTERNAL C6	
10	SA4722001	1	压脚柄 R(气压)	WORK CLAMP LIFTER LEVER R AIR	
11	SA4723001	1	压脚柄 L(气压)	WORK CLAMP LIFTER LEVER L AIR	
12	SA4724001	2	压脚臂杆(气压)	WORK CLAMP LIFTER SHAFT AIR	
13	S55479001	2	螺拴(带垫圈) M4X8	BOLT, SOCKET (S/P WASHER) M4X8	
14	SA4692001	1	压脚臂杆轴	WORK CLAMP LIFTER SHAFT	
15	012060636	1	螺钉 M6X6	SET SCREW SOCKET (FT) M6X6	
16	048080142	1	轴用挡圈 C8	RETAINING RING EXTERNAL C8	
17	110367001	1	垫圈 8	WASHER, PLAIN SPECIAL 8	
18	SA3231001	1	紧圈 B	SET SCREW COLLAR,B	
19	012060536	2	螺钉 M6X5	SET SCREW, SOCKET (FT) M6X5	
20	SA4863001	1	压脚导向组件 A	WORK CLAMP GUIDE A ASSY	
21	S23849001	2	螺钉 M4X16	SCREW, M4X16	
22	SA4864001	2	压脚导向组件 B	WORK CLAMP GUIDE B ASSY	
23	S55482001	4	螺拴(带垫圈) M4X14	BOLT, SOCKET (S/P WASHER)M4X14	
24	SA4712001	1	压脚滑块组件 R	WORK CLAMP SLIDER ASSY R	
25	SA4714001	1	压脚滑块组件 L	WORK CLAMP SLIDER ASSY L	
26	SA4706101	4	压脚挡板组件	WORK CLAMP RETAINER ASSY	
27	SA4725001	1	压脚 R	WORK CLAMP R	
28	S55485001	1	螺拴(带垫圈)M5X12	BOLT, SOCKET (S/P WASHER)M5X12	
29	012501031	2	螺钉 M5X10	SET SCREW SOCKET (FT) M5X10	
30	021500216	2	六角螺母 M5	NUT 2 M5	
31	SA4709001	2	定位段螺钉	SHOULDER SCREW	
32	SA4726001	1	压脚 L	WORK CLAMP L	
33	S55485001	1	螺拴(带垫圈) M5X12	BOLT, SOCKET (S/P WASHER)M5X12	
34	012501031	2	螺钉 M5X10	SET SCREW SOCKET (FT) M5X10	
35	021500216	2	六角螺母 M5	NUT 2 M5	
36	SA4709001	2	定位段螺钉	SHOULDER SCREW	
			<用于311G>	<For 311G>	
37	SA4868101	1	压板组件 311R	WORK CLAMP 311R ASSY	
38	SA4869101	1	压板组件 311L	WORK CLAMP 311L ASSY	
39	S55484002	4	螺拴(带垫圈) M5X10	BOLT, SOCKET (S/P WASHER)M5X10	
40	017501616	4	螺栓 M5X16	BOLT M5X16	
41	025050236	4	平垫圈 M5	WASHER PLAIN M 5	
42	028050246	4	弹簧垫圈 2-5	WASHER SPRING 2-5	
43	SA4715001	1	送料板 311G	FEED PLATE 311G	
44	S55484002	2	螺拴(带垫圈) M5X10	BOLT, SOCKET (S/P WASHER)M5X10	
			<用于326G>	<For 326G>	
45	SA4870101	1	压脚板组件 326R	WORK CLAMP 326R ASSY	
46	SA4871101	1	压脚板组件 326L	WORK CLAMP 326L ASSY	
39	S55484002	4	螺拴(带垫圈) M5X10	BOLT, SOCKET (S/P WASHER)M5X10	
40	017501616	4	螺栓 M5X16	BOLT M5X16	
41	025050236	4	平垫圈 M5	WASHER PLAIN M 5	
42	028050246	4	弹簧垫圈 2-5	WASHER SPRING 2-5	
44	S55484002	2	螺拴(带垫圈) M5X10	BOLT, SOCKET (S/P WASHER)M5X10	
47	SA4852001	1	送料板 326G	FEED PLATE 326G	

D1 . 抬压装置 / Work clamp lifter mechanism



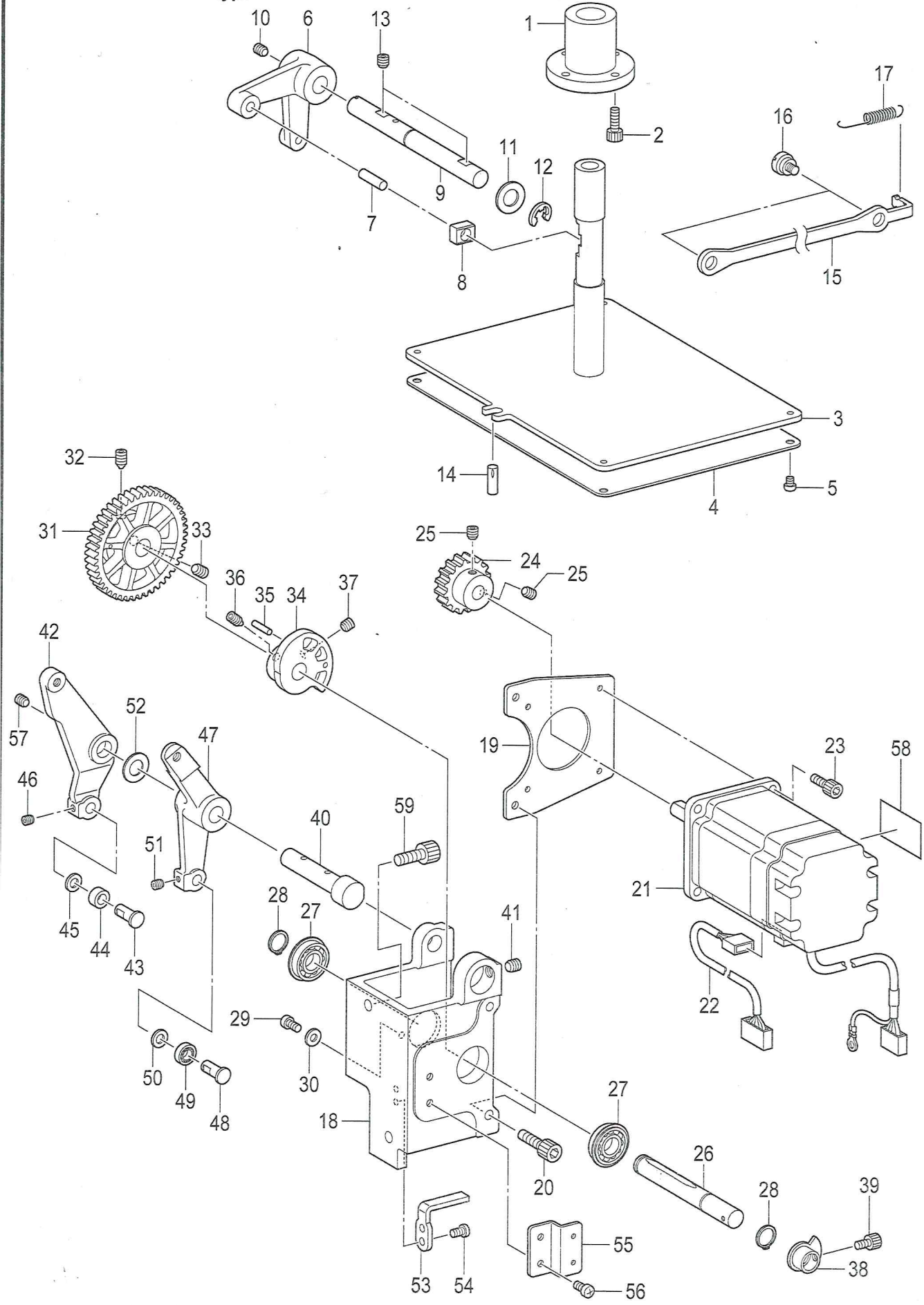


## D1. 抬压装置 / Work clamp lifter mechanism

参照号	零部件序号	数量	零部件名称	NAME OF PARTS	RM
1	SA4759001	1	凸轮	STEPPING CLAMP CAM	
2	SA4760001	1	连杆	STEPPING CLAMP CON.ROD	
3	SA4763001	1	垫圈	WASHER STEPPING CLAMP CAM	
4	623033000	1	轴承 6805VV	BALL BEARING, 6805VV	
5	S23651001	2	固定螺钉 M6X6	SET SCREW, SOCKET (FT) M6X6	
6	062400616	2	螺钉 M4X6	SCREW PAN M4X6	
7	SA4761001	1	滚轮轴	ROLLER SHAFT STEPPING CLAMP	
8	SA4762001	1	滚轮	ROLLER STEPING CLAMP	
9	SA4302001	2	垫圈	WASHER	
10	021060106	1	螺母 M6	NUT 1 M6	
11	SA4764001	1	压臂 R	STEPPING CLAMP ARM R	
12	017061216	1	螺栓 M6X12	BOLT M6X12	
13	SA4765001	1	压臂 F	STEPPING CLAMP ARM F	
14	012060636	1	螺钉 M6X6	SET SCREW SOCKET (FT) M6X6	
15	S23651001	1	固定螺钉 M6X6	SET SCREW, SOCKET (FT) M6X6	
16	SA4766001	1	压臂轴套 F	BUSH STEPPING CLAMP F	
17	SA4767001	1	压臂轴套 R	BUSH STEPPING CLAMP R	
18	SA4768001	1	间歇连杆 A	BUSH STEPPING CLAMP R	
19	SA4769001	4	段螺钉 6	SHOULDER SCREW 6	
20	062300416	4	螺钉 M3X4	SCREW, PAN M3X4	
21	SA4770001	1	间歇连杆 B	STEPPING CLAMP LINK B	
22	SA4772001	1	间歇联杆	STEPPING CLAMP LINK	
23	SA4773001	1	联杆轴	SHAFT STEPPING CLAMP LINK	
24	012060636	1	螺钉 M6X6	SET SCREW SOCKET (FT) M6X6	
25	012400436	1	螺钉 M4X4	SET SCREW SOCKET (FT) M4X4	
26	SA4777001	1	联接板	STEPPING CLAMP LIFTER LINK	
27	SA4771001	1	联接板轴	SHAFT STEPPING CLAMP LIFT LINK	
28	SA2161001	1	垫圈	WASHER	
29	048080142	1	轴用挡圈 C8	RETAINING RING EXTERNAL C8	
30	012060636	1	螺钉 M6X6	SET SCREW SOCKET (FT) M6X6	
31	012400436	1	螺钉 M4X4	SET SCREW SOCKET (FT) M4X4	
32	SA4779001	1	间歇提升杆	STEPPING CLAMP LIFTER	
33	SA4781001	1	提升杆滑轮	ROLLER STEPPING CLAMP LIFTER	
34	141362001	1	滚轮	ROLLER	
35	SA4780001	1	提升杆轴	SHAFT STEPPING CLAMP LIFTER	
36	012060636	1	螺钉 M6X6	SET SCREW SOCKET (FT) M6X6	
37	S25310101	1	螺钉 M4	SCREW, FLAT M4	
38	SA4775001	1	提升连杆	STEPPING CLAMP LIFTER ROD	
39	SA4853001	1	提升连杆接头	JOINT STEPPING CLAMP LIFTER	
40	SA2663001	2	接头组件 R	BALL JOINT ASSY	
41	021060306	2	六角螺母 M6	NUT 3 M6	
42	SA3227001	1	螺母 M6	NUT(FT),M6	
43	SA4776001	1	段螺钉	SHOULDER SCREW	
44	S32462001	1	段螺钉 B M6	SHOULDER SCREW, B ;M6	
45	017065002	1	螺栓 M6X50	BOLT M6X50	
46	021060106	1	螺母 M6	NUT 1 M6	
47	SA4778001	1	压紧杆接头	PRESSER BAR CLAMP	
48	018400836	1	螺栓 M4X8	BOLT SOCKET M4X8	
49	SA1174001	1	调节螺栓 M14	PRESSER ADJUSTING SCREW, M14	
50	SA1175001	1	调节螺母 M14	ADJUST SCREW NUT	
51	SA5300001	1	弹簧	PRESSER BAR SPRING	
52	S10112001	1	弹簧导向	PRESSER BAR SPRING GUIDE	
53	SA5301001	1	弹簧管套	COLLAR PRESSER BAR SPRING	
54	SA2195001	1	压紧杆轴套	PRESSER BAR BUSH	
55	012060536	1	螺钉 M6X5	SET SCREW SOCKET (FT) M6X5	
56	111466101	1	压紧杆	PRESSER BAR	
57	* P. 67	1	压脚	WORK CLAMP	
58	S13399001	1	螺钉 SM3. 57X12	SCREW, SM3.57X12	
59	151439102	1	垫圈	WASHER	

D2 . 抬压装置 / Work clamp lifter mechanism

< 电磁式 / For Solenoid type >

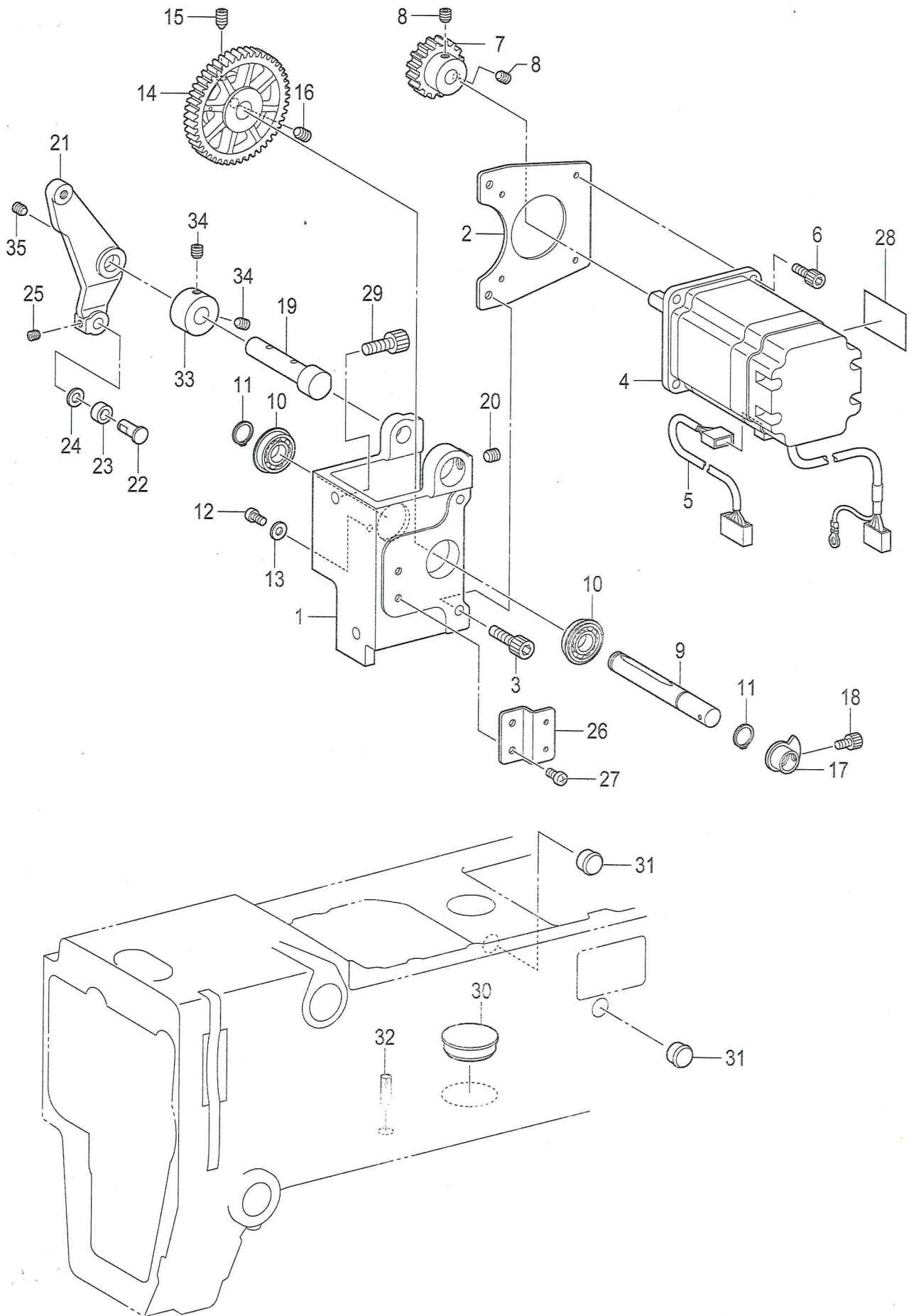


D2. 抬压装置 / Work clamp lifter mechanism

参照号	零部件序号	数量	零部件名称	NAME OF PARTS	RM
			<电磁式>	<For Solenoid type>	
1	SA4729001	1	滑杆轴套	SLIDE BUSH	
2	018401036	4	螺栓 M4X10	BOLT SOCKET M4X10	
3	SA4731001	1	压脚提升板组件	WORK CLAMP LIFTER PLATE ASSY	
4	SA4734001	1	底座板 E	SEAT E	
5	062400416	4	螺钉 M4X4	SCREW, PAN M4X4	
6	SA4736001	1	压脚提升杆	WORK CLAMP LIFTER LEVER	
7	152744001	1	销	PIN	
8	102630001	1	针杆接头滑块	NEEDLE BAR GUIDE SLIDE BLOCK	
9	SA4737001	1	提升杆轴 B	WORK CLAMP LEVER SHAFT B	
10	012060636	1	螺钉 M6X6	SET SCREW SOCKET (FT) M6X6	
11	S20356001	1	平垫圈 10	WASHER, PLAIN 10	
12	048080342	1	挡圈 E8	RETAINING RING E8	
13	012060636	2	螺钉 M6X6	SET SCREW SOCKET (FT) M6X6	
14	118208001	1	带槽销	DOWEL PIN	
15	SA4738001	1	压脚提升杆	WORK CLAMP LIFTER LINK	
16	SA3438001	2	段螺钉	LINK SHOULDER SCREW	
17	SA4739001	1	弹簧	WORK CLAMP SPRING	
18	SA4741101	1	马达座	MOTOR BRACKET	
19	SA4742001	1	压脚马达板	WORK CLAMP MOTOR PLATE	
20	018501036	2	螺栓 M5X10	BOLT SOCKET M5X10	
21	SA4826201	1	脉冲马达组件 P	PULSE MOTOR ASSY P	
22	SA4828001	1	马达端线 P	MOTOR HARNESS P	
23	018401036	4	螺栓 M4X10	BOLT SOCKET M4X10	
24	SA4743001	1	驱动齿轮	WORK CLAMP DRIVING GEAR	
25	012060636	2	螺钉 M6X6	SET SCREW SOCKET (FT) M6X6	
26	SA4744001	1	压脚支点轴	WORK CLAMP FULCRUM SHAFT	
27	SA4647001	2	球轴承 6900ZZNR	BALL BEARING 6900ZZNR	
28	048100142	2	轴用挡圈 C10	RETAINING RING EXTERNAL C10	
29	062400616	1	螺钉 M4X6	SCREW PAN M4X6	
30	025040236	1	平垫圈 M4	WASHER PLAIN M 4	
31	SA4745001	1	凸轮齿轮	WORK CLAMP CAM GEAR	
32	016061031	1	螺钉 M6X10	SET SCREW SOCKET (CN) M6X10	
33	012060636	1	螺钉 M6X6	SET SCREW SOCKET (FT) M6X6	
34	SA4746001	1	压脚凸轮	WORK CLAMP CAM	
35	S35079000	1	滚针 3X11.8	NEEDLE ROLLER, 3X11.8	
36	016061031	1	螺钉 M6X10	SET SCREW SOCKET (CN) M6X10	
37	012060636	1	螺钉 M6X6	SET SCREW SOCKET (FT) M6X6	
38	SA4747001	1	压脚原点挡块	WORK CLAMP H-POSITION DOG	
39	018400636	1	螺栓 M4X6	BOLT SOCKET M4X6	
40	SA4748001	1	压脚柄轴	WORK CLAMP LEVER SHAFT	
41	012060636	1	螺钉 M6X6	SET SCREW SOCKET (FT) M6X6	
42	SA6210001	1	间歇驱动杆	STEPPING W-CLAMP DRIVING LEVER	
43	SA3441001	1	抬压滚轮轴	W-CLAMP LIFTER ROLLER SHAFT	
44	070696800	1	轴承 R-696ZZ	BALL BEARING RADIAL 696ZZ	
45	109763001	1	垫圈	WASHER	
46	012500536	1	螺钉 M5X5	SET SCREW SOCKET (FT) M5X5	
47	SA4750001	1	压脚驱动杆	WORK CLAMP DRIVING SHAFT	
48	SA3441001	1	抬压滚轮轴	W-CLAMP LIFTER ROLLER SHAFT	
49	070696800	1	轴承 R-696ZZ	BALL BEARING RADIAL 696ZZ	
50	109763001	1	垫圈	WASHER	
51	012500536	1	螺钉 M5X5	SET SCREW SOCKET (FT) M5X5	
52	S20356001	1	平垫圈 10	WASHER, PLAIN 10	
53	SA4752001	1	凸轮定位	WORK CLAMP CAM STOPPER	
54	062400616	2	螺钉 M4X6	SCREW PAN M4X6	
55	SA4753001	1	压脚传感器板	WORK CLAMP SENSOR PLATE	
56	062400616	2	螺钉 M4X6	SCREW PAN M4X6	
57	012060636	1	螺钉 M6X6	SET SCREW SOCKET (FT) M6X6	
58	SA4224001	1	注意符号 30X40	MARK,ATTENTION 30X40	
59	018061236	2	螺栓 M6X12	BOLT SOCKET M6X12	

D3 . 抬压装置 / Work clamp lifter mechanism

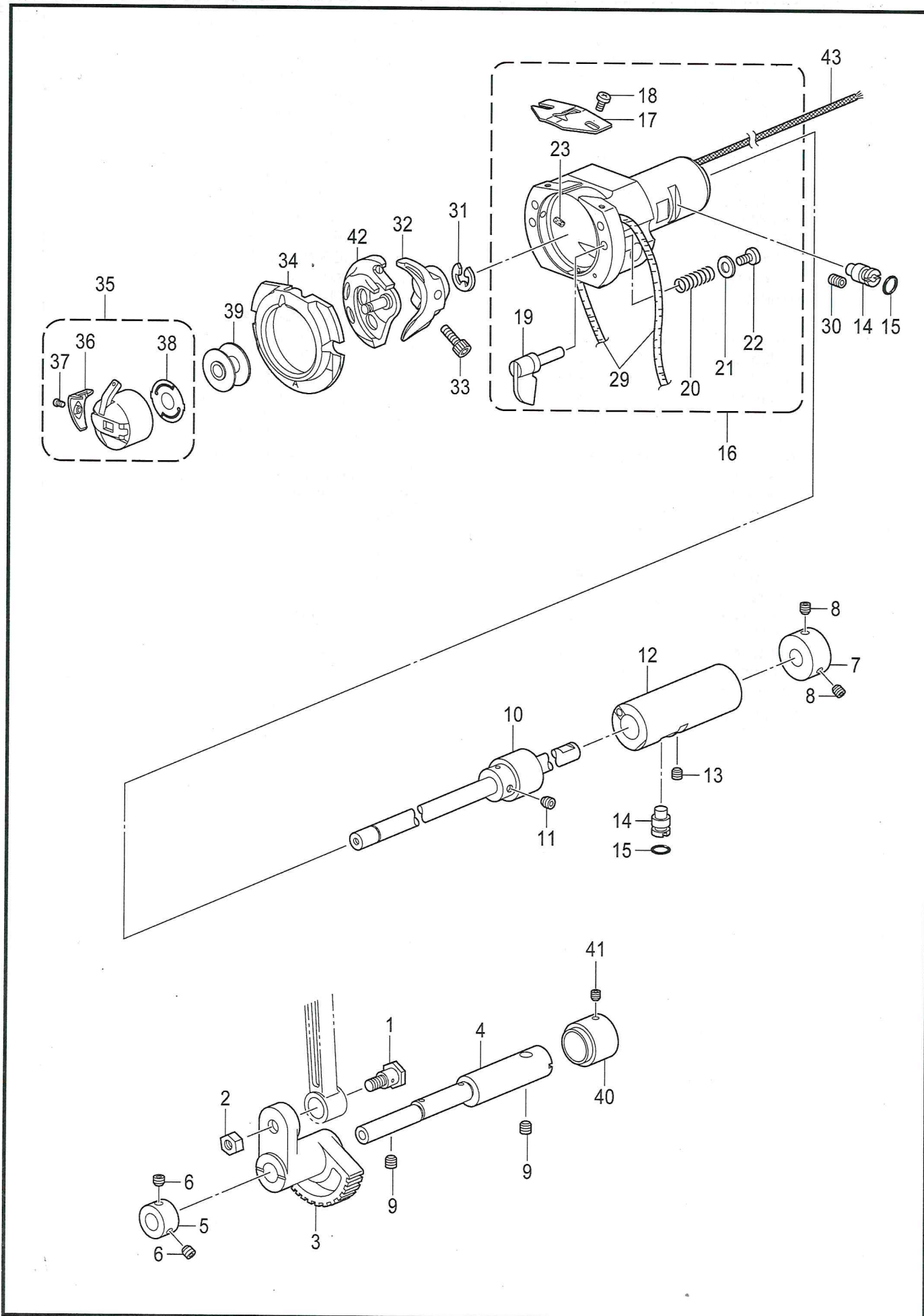
< 空压式 / For Pneumatic type >



D3. 抬压装置 / Work clamp lifter mechanism

参照号	零部件序号	数量	零部件名称	NAME OF PARTS	RM
			<空压式>	<For Pneumatic type>	
1	SA4741101	1	马达座	MOTOR BRACKET	
2	SA4742001	1	压脚马达板	WORK CLAMP MOTOR PLATE	
3	018501036	2	螺栓 M5X10	BOLT SOCKET M5X10	
4	SA4826201	1	脉冲马达组件 P	PULSE MOTOR ASSY P	
5	SA4828001	1	马达端线 P	MOTOR HARNESS P	
6	018401036	4	螺栓 M4X10	BOLT SOCKET M4X10	
7	SA4743001	1	驱动齿轮	WORK CLAMP DRIVING GEAR	
8	012060636	2	螺钉 M6X6	SET SCREW SOCKET (FT) M6X6	
9	SA4744001	1	压脚支点轴	WORK CLAMP FULCRUM SHAFT	
10	SA4647001	2	球轴承 6900ZZNR	BALL BEARING 6900ZZNR	
11	048100142	2	轴用挡圈 C10	RETAINING RING EXTERNAL C10	
12	062400616	1	螺钉 M4X6	SCREW PAN M4X6	
13	025040236	1	平垫圈 M4	WASHER PLAIN M 4	
14	SA4745001	1	凸轮齿轮	WORK CLAMP CAM GEAR	
15	016061031	1	螺钉 M6X10	SET SCREW SOCKET (CN) M6X10	
16	012060636	1	螺钉 M6X6	SET SCREW SOCKET (FT) M6X6	
17	SA4747001	1	压脚原点挡块	WORK CLAMP H-POSITION DOG	
18	018400636	1	螺栓 M4X6	BOLT SOCKET M4X6	
19	SA4748001	1	压脚柄轴	WORK CLAMP LEVER SHAFT	
20	012060636	1	螺钉 M6X6	SET SCREW SOCKET (FT) M6X6	
21	SA6210001	1	间歇驱动杆	STEPPING W-CLAMP DRIVING LEVER	
22	SA3441001	1	抬压滚轮轴	W-CLAMP LIFTER ROLLER SHAFT	
23	070696800	1	轴承 R-696ZZ	BALL BEARING RADIAL 696ZZ	
24	109763001	1	垫圈	WASHER	
25	012500536	1	螺钉 M5X5	SET SCREW SOCKET (FT) M5X5	
26	SA4753001	1	压脚传感器板	WORK CLAMP SENSOR PLATE	
27	062400616	2	螺钉 M4X6	SCREW PAN M4X6	
28	SA4224001	1	注意符号 30X40	MARK,ATTENTION 30X40	
29	018061236	2	螺栓 M6X12	BOLT SOCKET M6X12	
30	159163000	1	橡皮塞 29	RUBBER CAP 29	
31	104821001	2	橡皮塞 10.5	RUBBER CAP, 10.5	
32	118550001	1	带槽销	PIN DOWEL	
33	SA4757101	1	紧圈	SET SCREW COLLAR	
34	012060636	2	螺钉 M6X6	SET SCREW SOCKET (FT) M6X6	
35	012060636	1	螺钉 M6X6	SET SCREW SOCKET (FT) M6X6	

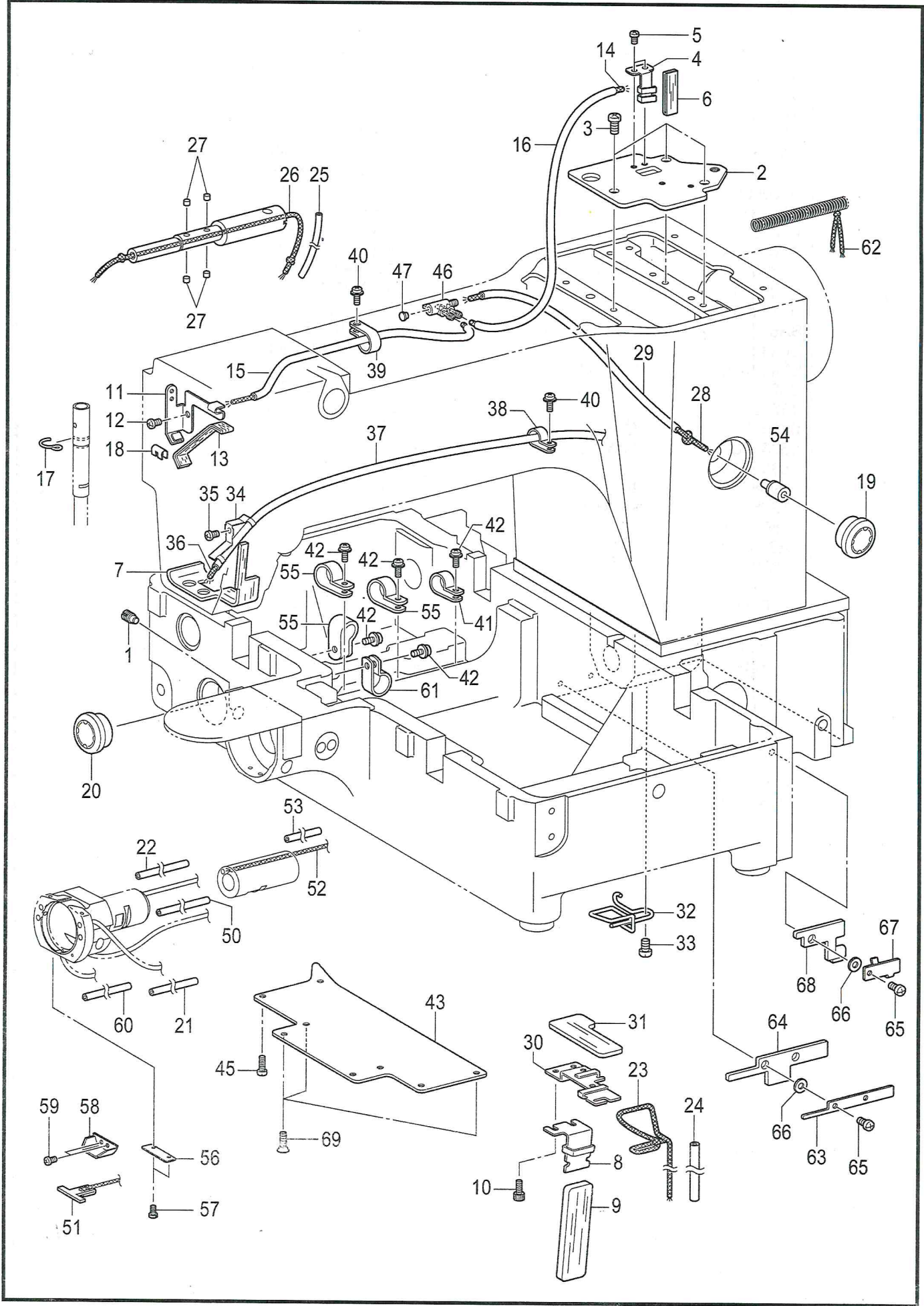
E. 下轴装置 / Lower shaft mechanism



E. 下轴装置 / Lower shaft mechanism

参照号	零部件序号	数量	零部件名称	NAME OF PARTS	RM
1	SA3226001	1	段螺钉	SHOULDER SCREW	
2	SA3227001	1	螺母 M6	NUT(FT),M6	
3	SA3228101	1	摆动齿轮	ROCK GEAR	
4	SA4782001	1	摆动齿轴	ROCK GEAR SHAFT	
5	SA3231001	1	紧圈 B	SET SCREW COLLAR,B	
6	012060536	2	螺钉 M6X5	SET SCREW, SOCKET (FT) M6X5	
7	SA3233001	1	紧圈	SET SCREW COLLAR	
8	S23651001	2	固定螺钉 M6X6	SET SCREW, SOCKET (FT) M6X6	
9	012060636	2	螺钉 M6X6	SET SCREW SOCKET (FT) M6X6	
10	SA4783101	1	下轴组件	LOWER SHAFT ASSY	
11	012500536	1	螺钉 M5X5	SET SCREW SOCKET (FT) M5X5	
12	SA6216001	1	下轴轴套	LOWER SHAFT BUSH	
13	012060636	1	螺钉 M6X6	SET SCREW SOCKET (FT) M6X6	
14	SA3238101	2	旋梭调节轴	ADJUSTING STUD	
15	081003670	2	O形圈 PW3	O RING PW3	
16	SA6220001	1	大旋梭基座组件 G	SHUTTLE RACE BASE ASSY G	
17	S02429201	1	旋梭线导向	SHUTTLE RACE THREAD GUIDE	
18	SA4199001	2	螺钉 M3X4	SCREW M3X4	
19	SA3241001	2	大旋梭固定柄	S-RACE BASE SETTING CLAW	
20	152684101	2	弹簧	COMPRESSION SPRING	
21	026030136	2	平垫圈 S3	WASHER PLAIN S 3	
22	062300616	2	螺钉 M3X6	SCREW PAN M3X6	
23	153050000	2	油毡	S-RACE BASE FELT	
29	S59886001	2	油毡 L=360	FELT, L=360	
30	012060636	1	螺钉 M6X6	SET SCREW SOCKET (FT) M6X6	
31	048070342	1	挡圈 E7	RETAINING RING E7	
32	SA3284101	1	梭托 D	DRIVER,D	
33	018501232	1	螺栓 M5X12	BOLT SOCKET M5X12	
34	* P. 66	1	外旋梭	SHUTTLE RACE BASE	
35	* P. 66	1	梭芯套组件	BOBBIN CASE ASSY	
36	* P. 66	1	调节弹簧	TENSION SPRING	
37	* P. 66	1	螺钉	SCREW	
38	* P. 66	1	防空转弹簧	ANTI-SPIN SPRING	
39	* P. 66	1	梭芯	BOBBIN	
40	SA3283101	1	紧圈 R	SET SCREW COLLAR,R	
41	012500536	1	螺钉 M5X5	SET SCREW SOCKET (FT) M5X5	
42	* P. 66	1	中旋梭	SHUTTLE HOOK	
43	S32557000	1	油线 4X4 L=330	WICK, 4X4 L=330	

F. 供油润滑装置 / Lubrication

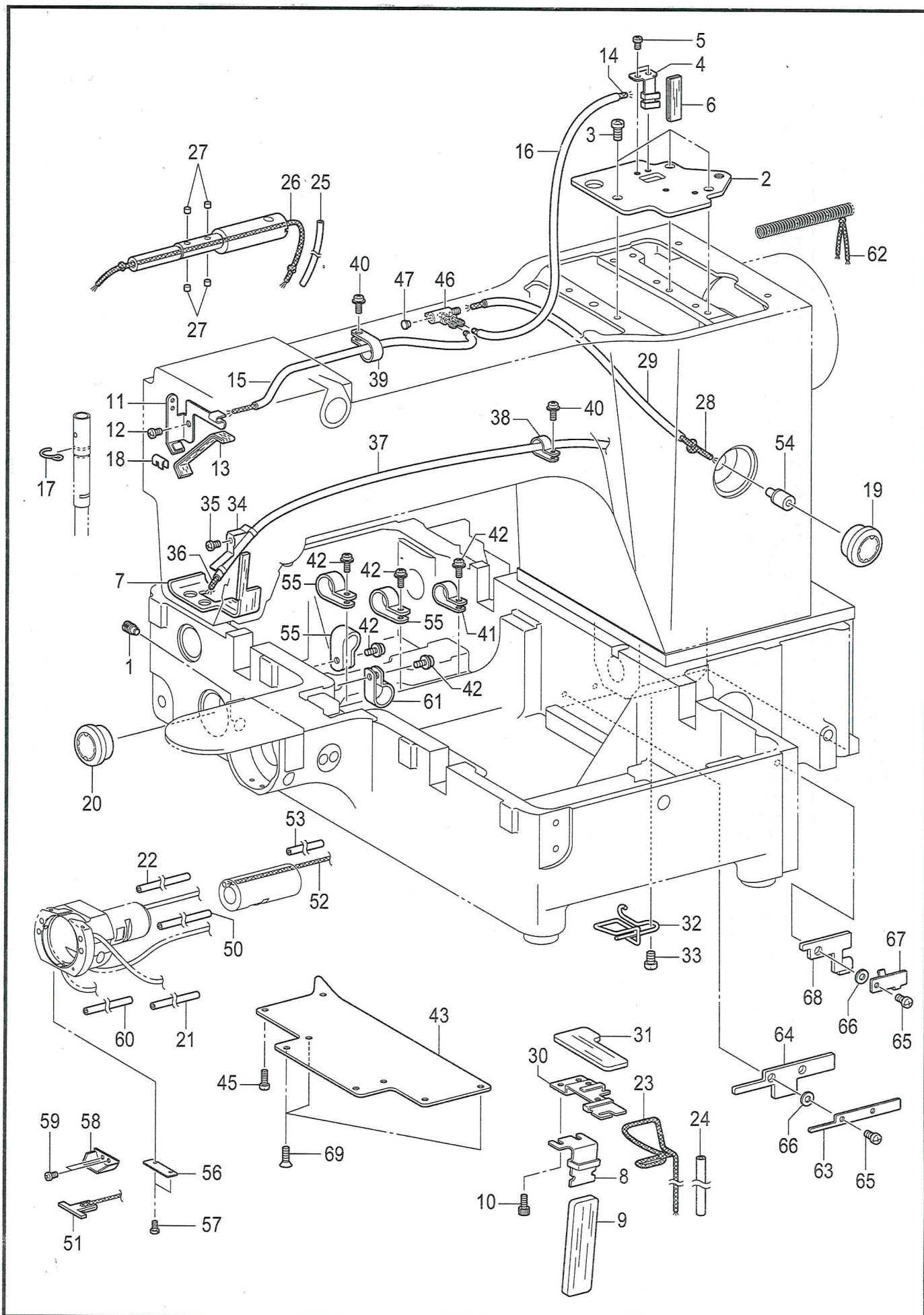




F. 供油润滑装置 / Lubrication

参照号	零部件序号	数量	零部件名称	NAME OF PARTS	RM
1	SA3244001	1	螺钉	SET SCREW	
2	SA4785001	1	曲柄盖	CRANK COVER	
3	062061016	3	螺钉 M6X10	SCREW PAN M6X10	
4	SA4787001	1	曲柄供油板	CRANK WICK PLATE	
5	062400616	2	螺钉 M4X6	SCREW PAN M4X6	
6	SA5294001	1	毡油线 L=90	FLAT WICK L=90	
7	SA4786101	1	油毡	FELT	
8	SA3503201	1	下轴给油支架	LOWER SHAFT WICK SUPPORT	
9	SA3504201	1	下轴齿轮油毡	LOWER SHAFT GEAR FELT	
10	018400636	2	螺栓 M4X6	BOLT SOCKET M4X6	
11	SA4788001	1	供油支架	WICK SUPPORT	
12	062400616	1	螺钉 M4X6	SCREW PAN M4X6	
13	SA6593001	1	毡油线 L=180	FLAT WICK, L=180	
14	SA6580001	1	油线 L=780	WICK L=780	
15	S07459100	1	油管 L=240	OIL TUBE, L=240	
16	SA6576001	1	油管 L=210	OIL TUBE, L=210	
17	SA6087001	1	油线挂钩	WICK SUPPORT	
18	104567101	1	油线支架	WICK SUPPORT	
19	S49992000	1	油视窗	OIL GAUGE WINDOW	
20	152948001	1	油视窗	OIL GAUGE WINDOW	
21	S50529000	1	油管 L=320	OIL TUBE, L=320	
22	S07459100	1	油管 L=240	OIL TUBE, L=240	
23	SA5292101	1	油线 L=680	WICK L=680	
24	S53175000	1	油管 L=450	OIL TUBE, L=450	
25	SA5072001	1	油管 L=120	OIL TUBE L=120	
26	SA6578001	1	油线 6X6 L=300	WICK 6X6 L=300	
27	S09043000	4	油毡	FELT	
28	S49982000	1	油线 4X4 L=400	WICK, 4X4 L=400	
29	S48189000	1	油管 L=280	OIL TUBE, L=280	
30	SA3246001	1	齿轮供油支架	GEAR WICK SUPPORT	
31	SA3280001	1	油毡	GEAR FELT	
32	SA4789101	1	油线夹 B	LOWER SHAFT WICK SUPPORT B	
33	062060816	1	螺钉 M6X8	SCREW PAN M6X8	
34	145547001	1	回油管管托	TUBE HOLDER	
35	062400616	1	螺钉 M4X6	SCREW PAN M4X6	
36	S49957000	1	油线 4X4 L=700	WICK, 4X4 L=700	
37	SA4791101	1	油管 L=620	OIL TUBE L=620	
38	149547000	1	压线板	CORD HOLDER, 4N	
39	525567000	1	电线夹 #8	CORD HOLDER, #8	
40	0A5401006	2	螺栓(带垫圈) M4X10DB	SCREW PAN (S/P WASHER) M4X10	
41	525664000	1	电线夹 #6	CORD HOLDER, #6	
42	0A5401006	5	螺栓(带垫圈) M4X10DB	SCREW PAN (S/P WASHER) M4X10	
43	SA6211001	1	油盖	OIL COVER	
45	062401016	5	螺钉 M4X10	SCREW PAN M4X10	
46	S38265000	1	管接头 L	TERMINAL, L	
47	142274101	1	橡皮塞 4.2	RUBBER CAP, 4.2	
50	SA6263001	1	油管 L=320	OIL TUBE L=320	
51	SA6260001	1	油毡组件	FELT ASSY	
52	S00400000	1	油线 2.5X200	WICK, 2.5X200	
53	SA6579001	1	油管 L=110	OIL TUBE, L=110	
54	SA5339101	1	油嘴管	OIL FEEDING PIPE	
55	525567000	3	电线夹 #8	CORD HOLDER, #8	
56	SA3242001	1	油毡支架	FELT HOLDER	
57	S44924001	2	固定螺钉 M3X5.5	SCREW, M3X5.5	
58	SA3274101	1	油毡支架	FELT HOLDER	
59	S47307001	2	螺钉 M3X4	SCREW, M3X4	

F. 供油润滑装置 / Lubrication



F. 供油润滑装置 / Lubrication

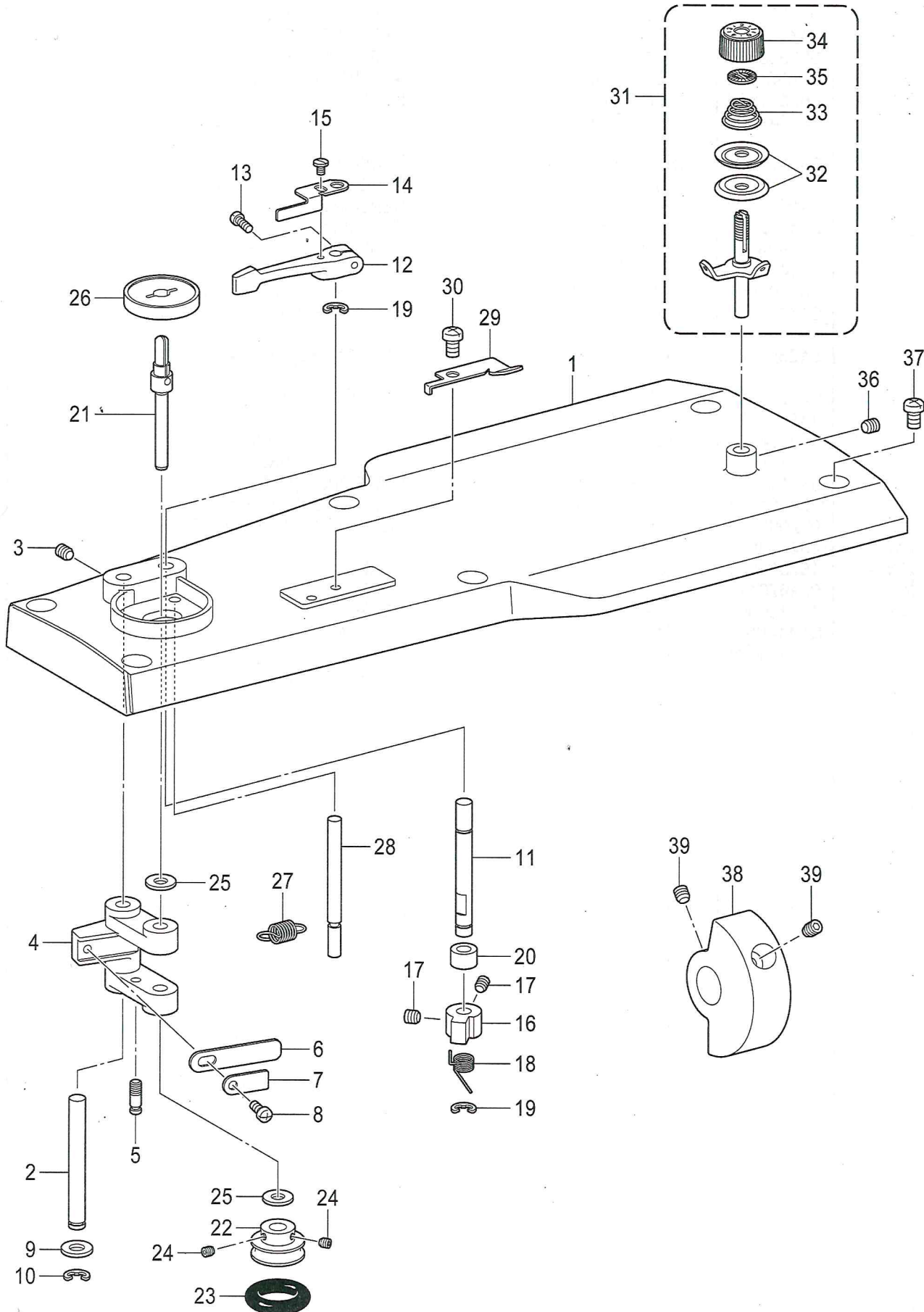
参照号	零部件序号	数量	零部件名称	NAME OF PARTS	RM
60	SA6577001	1	油管 L=300	OIL TUBE L=300	
61	552907000	1	电线夹 #10	CORD HOLDER, #10	
62	SA6572001	1	油线 L=140	WICK L=140	
63	SA6581001	1	油毡压板 L	WICK SUPPORT L	
64	SA6583001	1	底板油毡 L	FELT BED L	
65	062400616	3	螺钉 M4X6	SCREW PAN M4X6	
66	028040246	3	弹簧垫圈 2-4	WASHER SPRING 2-4	
67	SA6582001	1	油毡压板 R	WICK SUPPORT R	
68	SA6584001	1	底板油毡 R	FELT BED R	
69	S25310101	3	螺钉 M4	SCREW, FLAT M4	



G. 穿线装置 / Threading mechanism

参照号	零部件序号	数量	零部件名称	NAME OF PARTS	RM
1	SA3250001	1	过线导向 A	ARM THREAD GUIDE,A	
2	062500616	1	螺钉 M5X6	SCREW PAN M5X6	
3	SA4333001	1	过线导向 B	ARM THREAD GUIDE,B	
4	062500616	1	螺钉 M5X6	SCREW PAN M5X6	
5	SA6391001	1	过线器 C	ARM THREAD GUIDE C	
6	062500616	1	螺钉 M5X6	SCREW PAN M5X6	
7	153049001	1	面线导向杆	UPPER THREAD GUIDE STUD	
8	SA3254001	1	夹线座	TENSION BRACKET	
9	* P. 66	1	调节弹簧	THREAD TAKE-UP SPRING	
10	SA3255001	1	夹线杆轴	TENSION STUD	
11	S31032001	1	压线螺母	TENSION NUT	
12	159805001	1	夹线压盘	TENSION DISC PRESSER	
13	145446001	1	夹线盘	DISC, TENSION	
14	100402004	1	固定螺钉 SM3.57	SET SCREW, SM3.57	
15	SA4143001	1	螺钉 M6X6	SET SCREW, (FT) M6X6	
16	S12699000	1	松线销	TENSION RELEASE PIN	
17	SA3256001	1	夹线杆轴 A	TENSION STUD,A	
18	145446001	2	夹线盘	DISC, TENSION	
19	159224001	1	线钩	THREAD GUIDE, ARM	
20	* P. 67	1	针杆线导向	NEEDLE BAR THREAD GUIDE	
21	SA3258001	1	针杆轴套线导向 D	N-BAR BUSH THREAD GUIDE,D	
22	152881001	1	线冷却器组件	NEEDLE COOLER ASSY	
23	012060636	1	螺钉 M6X6	SET SCREW SOCKET (FT) M6X6	
24	152883000	1	油毡 8X15.5	FELT, 8X15.5	
25	152884001	1	过线钩	NEEDLE COOLER THREAD GUIDE	
26	062670412	1	螺钉 SM3.57-40X4	SCREW PAN SM3.57-40X4	
27	100136001	1	夹线螺母	TENSION NUT	
28	SA4146001	1	弹簧	SUB TENSION SPRING	
29	S12441001	1	止动垫圈	WASHER	
30	* P. 66	1	夹线簧	TENSION SPRING	

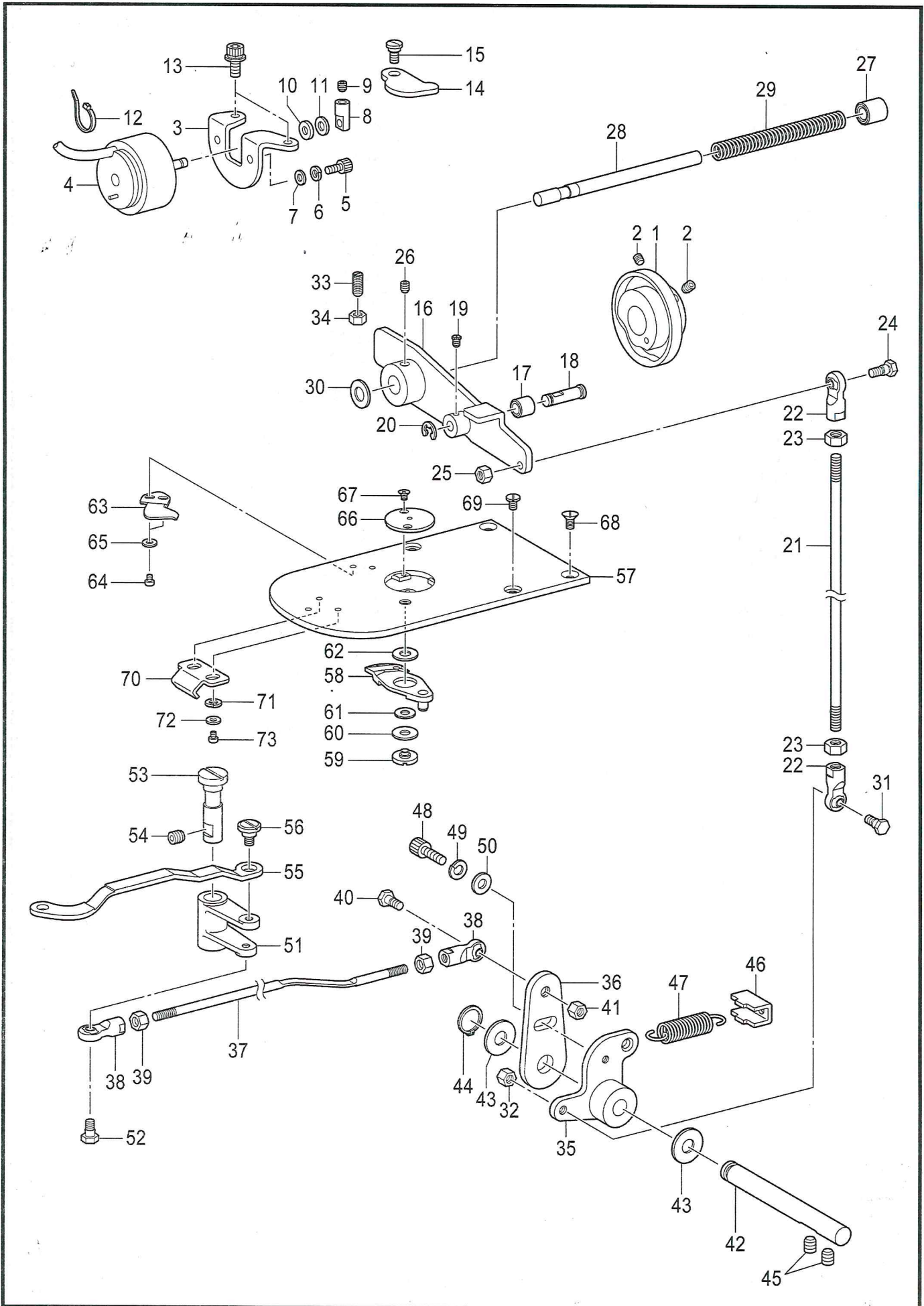
H. 卷线装置 / Bobbin winder mechanism



H. 卷线装置 / Bobbin winder mechanism

参照号	零部件序号	数量	零部件名称	NAME OF PARTS	RM
1	SA4795001	1	顶盖	TOP COVER	
2	SA3290001	1	卷线手柄轴	SHAFT,BW-LEVER	
3	012500536	1	螺钉 M5X5	SET SCREW SOCKET (FT) M5X5	
4	SA3291001	1	卷线手柄	BOBBIN WINDER LEVER	
5	SA4171001	1	弹簧挂钩	SPRING HOOK	
6	152936001	1	板弹簧	PLATE SPRING	
7	152937001	1	垫圈	WASHER	
8	062350616	1	螺钉 M3.5X6	SCREW PAN M3.5X6	
9	159486001	1	垫圈	WASHER	
10	048050342	1	挡圈 E5	RETAINING RING E5	
11	SA3293001	1	卷线卡爪轴	STUD,B-WINDER CLAW	
12	SA1984001	1	梭芯压臂柄	BOBBIN PRESSER ARM	
13	062401216	1	螺钉 M4X12	SCREW PAN M4X12	
14	SA3294001	1	梭芯压杆	BOBBIN PRESSER	
15	S23418002	1	螺钉 M4X5	SCREW, M4X5	
16	SA3295001	1	卷线卡爪	CLAW,B-WINDER	
17	012400436	2	螺钉 M4X4	SET SCREW SOCKET (FT) M4X4	
18	S10438001	1	弹簧	SPRING, TWIST	
19	048050342	2	挡圈 E5	RETAINING RING E5	
20	SA4796001	1	垫片	SPACER COLLER	
21	SA3296001	1	卷线轴	BOBBIN WINDER SHAFT	
22	SA3297001	1	卷线器	WHEEL,B-WINDER	
23	120448001	1	橡皮圈	BOBBIN WINDER RUBBER BAND	
24	012400436	2	螺钉 M4X4	SET SCREW SOCKET (FT) M4X4	
25	159486001	2	垫圈	WASHER	
26	SA1988001	1	梭芯座	BOBBIN SUPPORT	
27	S10268001	1	拉簧	SPRING	
28	SA3298001	1	止动轴	STPPER SHAFT,B-WINDER	
29	SA3299001	1	切刀	KNIFE	
30	062500616	1	螺钉 M5X6	SCREW PAN M5X6	
31	SA1994101	1	卷线器夹线组件	BOBBIN WINDER TENSION ASSY	
32	145446002	2	夹线盘	DISC, TENSION	
33	100401022	1	夹线弹簧	TENSION SPRING	
34	S31032001	1	压线螺母	TENSION NUT	
35	S12441001	1	止动垫圈	WASHER	
36	012500536	1	螺钉 M5X5	SET SCREW SOCKET (FT) M5X5	
37	062061016	6	螺钉 M6X10	SCREW PAN M6X10	
38	SA4797101	1	卷线驱动轮	DRIVING WHEEL B-WINDER	
39	S23651001	2	固定螺钉 M6X6	SET SCREW, SOCKET (FT) M6X6	

J. 切线装置 / Thread trimmer mechanism

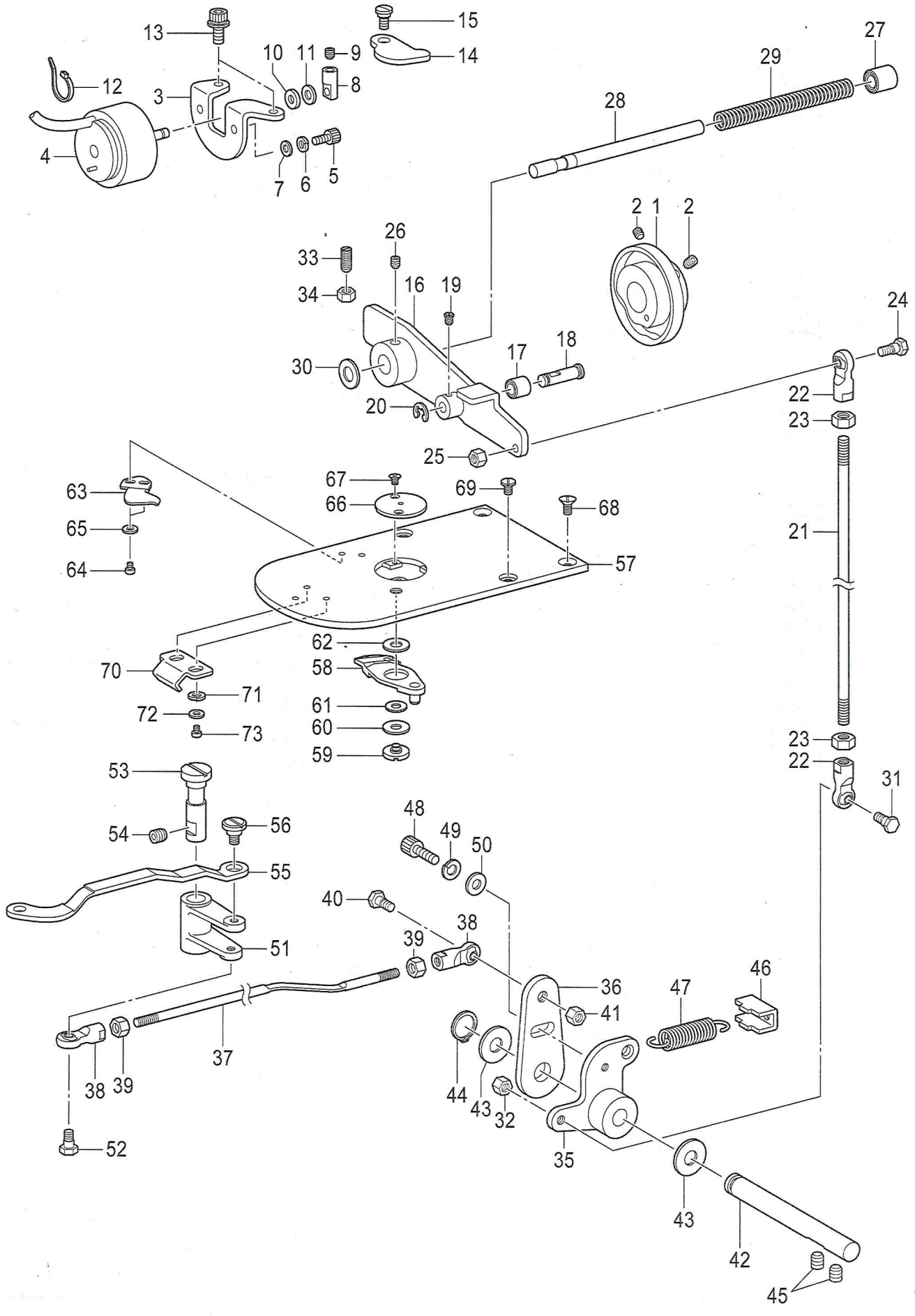




J. 切线装置 / Thread trimmer mechanism

参照号	零部件序号	数量	零部件名称	NAME OF PARTS	RM
1	SA3301101	1	切线凸轮	THREAD TRIMMER CAM	
2	S23651001	2	固定螺钉 M6X6	SET SCREW, SOCKET (FT) M6X6	
3	SA4798001	1	电磁铁安装板	SETTING PLATE SOLENOID	
4	SA5135001	1	切线电磁铁	THREAD TRIMMER SOLENOID	
5	017400802	2	螺栓 M4X8	BOLT M4X8	
6	028040246	2	弹簧垫圈 2-4	WASHER SPRING 2-4	
7	025040236	2	平垫圈 M4	WASHER PLAIN M 4	
8	SA3307001	1	电磁铁杆	SOLENOID LEVER	
9	012400436	1	螺钉 M4X4	SET SCREW SOCKET (FT) M4X4	
10	154599000	1	电磁铁缓冲垫圈	SOLENOID CUSHION	
11	S02652001	1	垫圈	WASHER	
12	S04159000	1	线夹 1M	BAND, 1M	
13	S55484002	2	螺栓(带垫圈) M5X10	BOLT, SOCKET (S/P WASHER)M5X10	
14	SA4799001	1	驱动压杆	PUSHING LEVER D-LEVER	
15	SA3306001	1	段螺钉 7-3	SHOULDER SCREW,7-3	
16	SA3309101	1	切线驱动杆	TR-DRIVING LEVER	
17	SA3310001	1	切线滚轮	COLLAR,TR-TRIMMER	
18	SA3311001	1	切线滚轮轴	COLLAR SHAFT	
19	S46903001	1	螺钉 M4X5	SET SCREW, M4X5	
20	048040342	1	挡圈 E4	RETAINING RING E4	
21	SA3315001	1	切线杆 V	THREAD TRIMMER ROD V	
22	S32465001	2	接头组件	BALL JOINT ASSY	
23	021060106	2	螺母 M6	NUT 1 M6	
24	S32462001	1	段螺钉 B M6	SHOULDER SCREW, B ;M6	
25	021060306	1	六角螺母 M6	NUT 3 M6	
26	S23651001	1	固定螺钉 M6X6	SET SCREW, SOCKET (FT) M6X6	
27	231071001	1	轴套 8X15	BUSH, 8X15	
28	SA3312001	1	驱动杆导向轴	GUIDE SHAFT	
29	SA3313101	1	弹簧	SPRING,COMPRESSION	
30	154596000	1	减震垫圈	CUSHION	
31	S32462001	1	段螺钉 B M6	SHOULDER SCREW, B ;M6	
32	021060306	1	六角螺母 M6	NUT 3 M6	
33	S25475101	1	螺钉 M6X19	SET SCREW, M6X19	
34	021060106	1	螺母 M6	NUT 1 M6	
35	SA4546001	1	切线杠杆 V	THREAD TRIMMER LEVER V	
36	SA3317001	1	切线杠杆 H	THREAD TRIMMER LEVER H	
37	SA4801001	1	切线杆 H	THREAD TRIMMER ROD H	
38	S32465001	2	接头组件	BALL JOINT ASSY	
39	021060106	2	螺母 M6	NUT 1 M6	
40	S32462001	1	段螺钉 B M6	SHOULDER SCREW, B ;M6	
41	021060306	1	六角螺母 M6	NUT 3 M6	
42	SA3319101	1	切线杠杆轴	SHAFT,TR-TRIMMER LEVER	
43	SA4545001	2	垫片	SPACER	
44	048080142	1	轴用挡圈 C8	RETAINING RING EXTERNAL C8	
45	012060636	2	螺钉 M6X6	SET SCREW SOCKET (FT) M6X6	
46	SA3320101	1	弹簧挂钩	SPRING HOOK	
47	SA3321001	1	切线复位弹簧	SPRING,EXTENSION	
48	018501236	1	螺栓 M5X12	BOLT SOCKET M5X12	
49	028050246	1	弹簧垫圈 2-5	WASHER SPRING 2-5	
50	146354002	1	垫圈 5	WASHER, PLAIN 5	
51	SA3324001	1	动刀曲柄	MOVING KNIFE LEVER	
52	SA3325001	1	段螺钉 6.35-6	SHOULDER SCREW,6.35-6	
53	SA4802001	1	动刀杆轴	SHAFT MOVABLE KNIFE LEVER	
54	012060636	1	螺钉 M6X6	SET SCREW SOCKET (FT) M6X6	
55	SA3327101	1	动刀连杆	M-KNIFE CONNECTING PLATE	
56	SA4354001	1	段螺钉 6-1.8	SHOULDER SCREW,6-1.8	

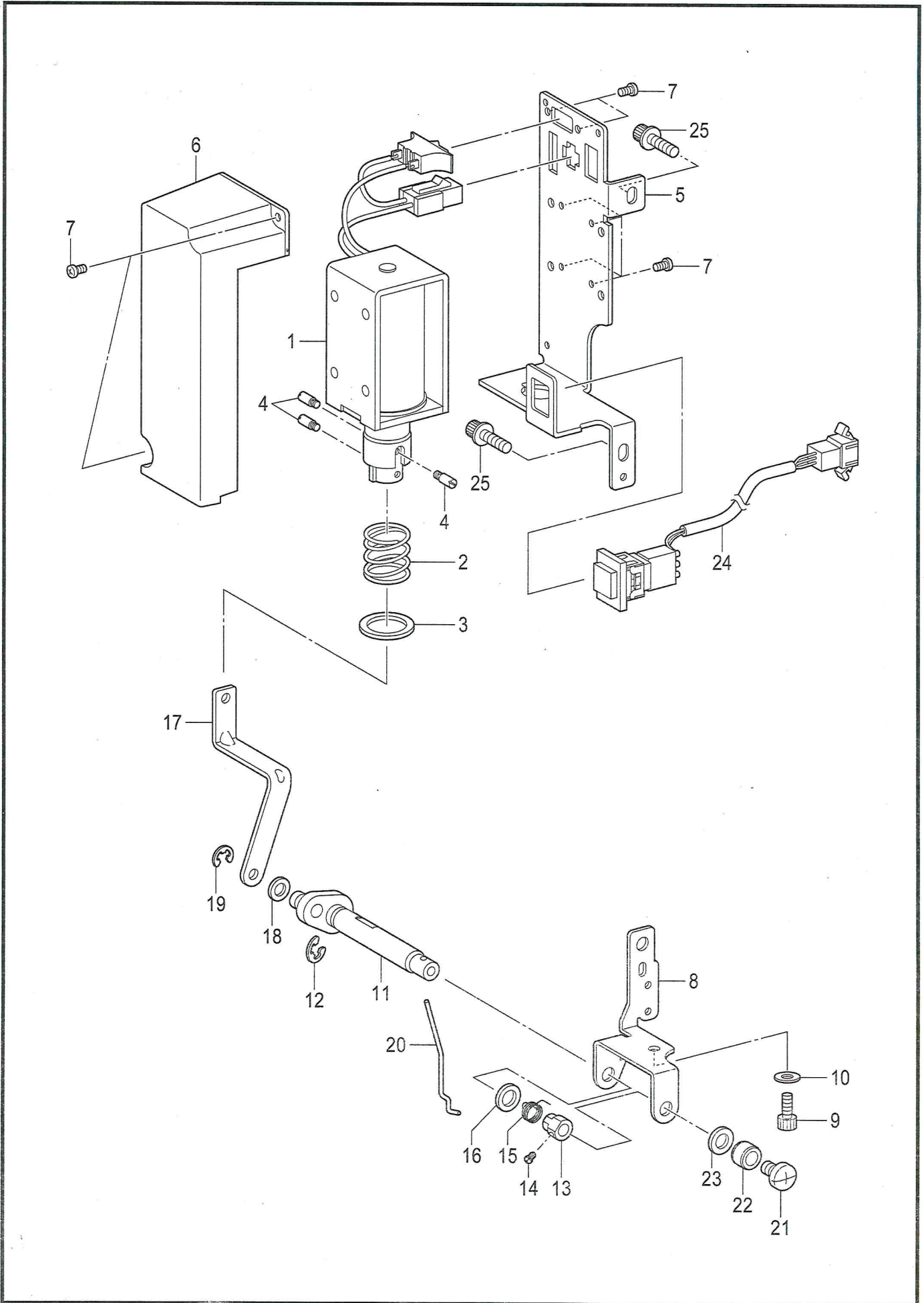
J. 切线装置 / Thread trimmer mechanism



J. 切线装置 / Thread trimmer mechanism

参照号	零部件序号	数量	零部件名称	NAME OF PARTS	RM
57	SA5157001	1	针板 A	NEEDLE PLATE A	
58	SA3330101	1	动刀组件 F	MOVABLE KNIFE ASSY F	
59	SA4518001	1	段螺钉	MOVABLE KNIFE SHOULDER SCREW	
60	SA4519001	1	动刀圈套	THRUST WASHER	
61	S00705001	1	动刀圈套	MOVABLE KNIFE COLLAR	
62	SA6397001	1	垫片 0.2	M-KNIFE SPACER T0.2	
62	SA3334001	1	垫片 0.3	M-KNIFE SPACER T0.3	
62	SA6398001	1	垫片 0.4	M-KNIFE SPACER T0.4	
63	SA3335001	1	定刀 F	FIXED KNIFE F	
64	062300416	2	螺钉 M3X4	SCREW PAN M3X4	
65	025030236	2	平垫圈 M3	WASHER PLAIN M 3	
66	* P. 66	1	针孔板	NEEDLE HOLE PLATE	
67	100360003	2	螺钉 SM2.38	SCREW	
68	S25310101	2	螺钉 M4	SCREW, FLAT M4	
69	SA3538001	2	螺钉 M4X8	SCREW, M4X8	
70	SA6273001	1	大旋梭盖挂钩 U	SHUTTLE BASE COVER HOOK U	
71	028030246	2	弹簧垫圈 2-3	WASHER SPRING 2-3	
72	025030236	2	平垫圈 M3	WASHER PLAIN M 3	
73	062300416	2	螺钉 M3X4	SCREW PAN M3X4	

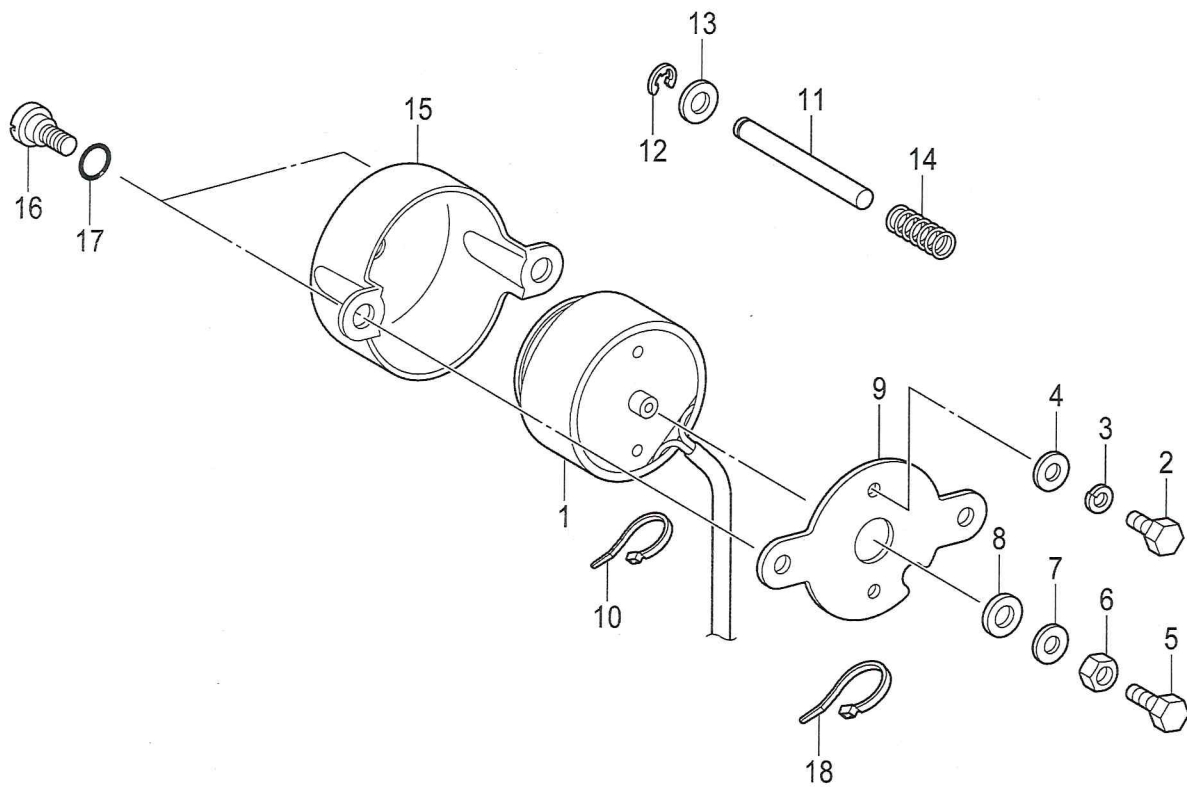
K. 扫线装置 / Thread wiper mechanism



K. 扫线装置 / Thread wiper mechanism

参照号	零部件序号	数量	零部件名称	NAME OF PARTS	RM
1	SA5208001	1	扫线电磁铁组件	THREAD WIPER SOLENOID ASSY	
2	S41206001	1	挡线弹簧	THREAD WIPER SPRING	
3	S41205001	1	平垫圈	WASHER, PLAIN	
4	S25456001	3	柱塞销	PLUNGER PIN	
5	SA5217001	1	扫线电磁铁按装板	T-WIPER SOLENOID SETTING PLATE	
6	SA4806001	1	电磁铁盖	SOLENOID COVER	
7	062300616	8	螺钉 M3X6	SCREW PAN M3X6	
8	SA5218001	1	扫线轴托架	THREAD WIPER SHAFT BRACKET	
9	018400836	1	螺栓 M4X8	BOLT SOCKET M4X8	
10	025040236	1	平垫圈 M4	WASHER PLAIN M 4	
11	SA1967001	1	扫线曲轴组件	THREAD WIPER CRANK ASSY	
12	048040342	1	挡圈 E4	RETAINING RING E4	
13	S25454001	1	螺纹紧圈	SET SCREW COLLAR	
14	S25279001	1	螺钉 M3.5-5	SET SCREW, (CP) M3.5-5	
15	SA2287001	1	弹簧	SPRING	
16	149097000	1	消音垫	SILENT SHEET	
17	SA5219001	1	扫线杆	THREAD WIPER ROD	
18	110735001	1	垫圈	WASHER	
19	048030342	1	挡圈 E3	RETAINING RING E3	
20	S10470101	1	扫线	WIPER	
21	060400516	1	螺钉 M4X5	SCREW BIND M4X5	
22	146288001	1	挡线轴挡圈	THREAD WIPER STUD COLLAR	
23	S03677001	1	垫圈	WASHER	
24	SA5213001	1	停止开关组件	STOP SWITCH ASSY	
25	S55485001	2	螺栓(带垫圈) M5X12	BOLT, SOCKET (S/P WASHER)M5X12	

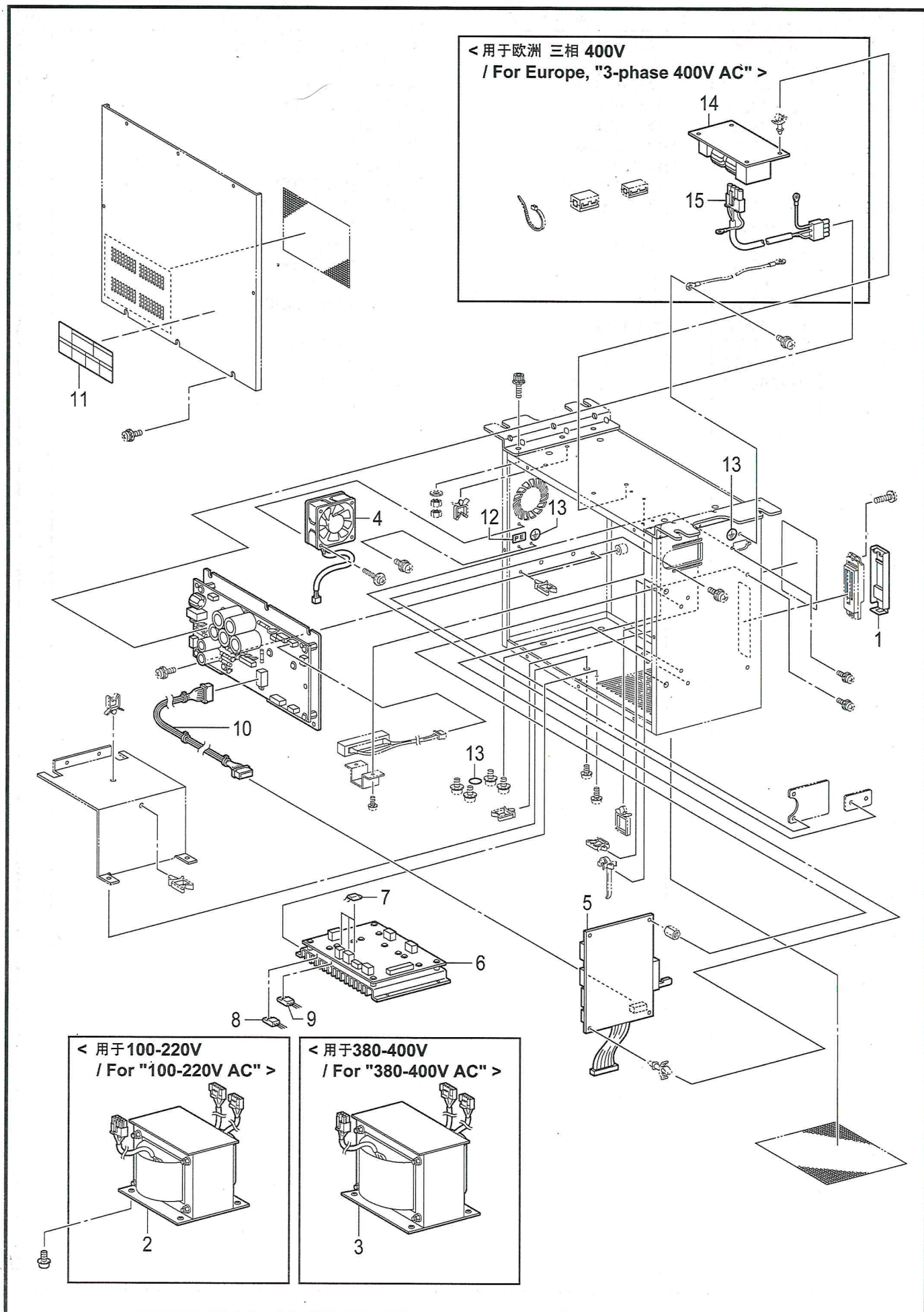
L. 松线装置 / Tension release mechanism



L. 松线装置 / Tension release mechanism

参照号	零部件序号	数量	零部件名称	NAME OF PARTS	RM
1	SA4855001	1	松线电磁铁 HV	TENSION RELEASE SOLENOID HV	
2	017400802	2	螺栓 M4X8	BOLT M4X8	
3	028040246	2	弹簧垫圈 2-4	WASHER SPRING 2-4	
4	025040236	2	平垫圈 M4	WASHER PLAIN M 4	
5	017401415	1	螺栓 M4X14	BOLT M4X14	
6	021400306	1	六角螺母 M4	NUT 3 M4	
7	102707002	1	垫圈 4	WASHER	
8	154599000	1	电磁铁缓冲垫圈	SOLENOID CUSHION	
9	SA6389001	1	电磁铁安装板	SETTING PLATE SOLENOID	
10	S04159000	1	线夹 1M	BAND, 1M	
11	SA3347001	1	松线杆	TENSION RELEASE BAR	
12	048040342	1	挡圈 E4	RETAINING RING E4	
13	025050236	1	平垫圈 M5	WASHER PLAIN M 5	
14	SA3348001	1	弹簧	SPRING, COMPRESSION	
15	SA3349001	1	电磁铁盖	SOLENOID COVER	
16	SA3306001	2	段螺钉 7-3	SHOULDER SCREW, 7-3	
17	081007070	2	O形圈 P7	O RING P7	
18	218859001	1	电线夹 M150	BINDER, M150	

M1 . 控制箱装置 / Control box mechanism

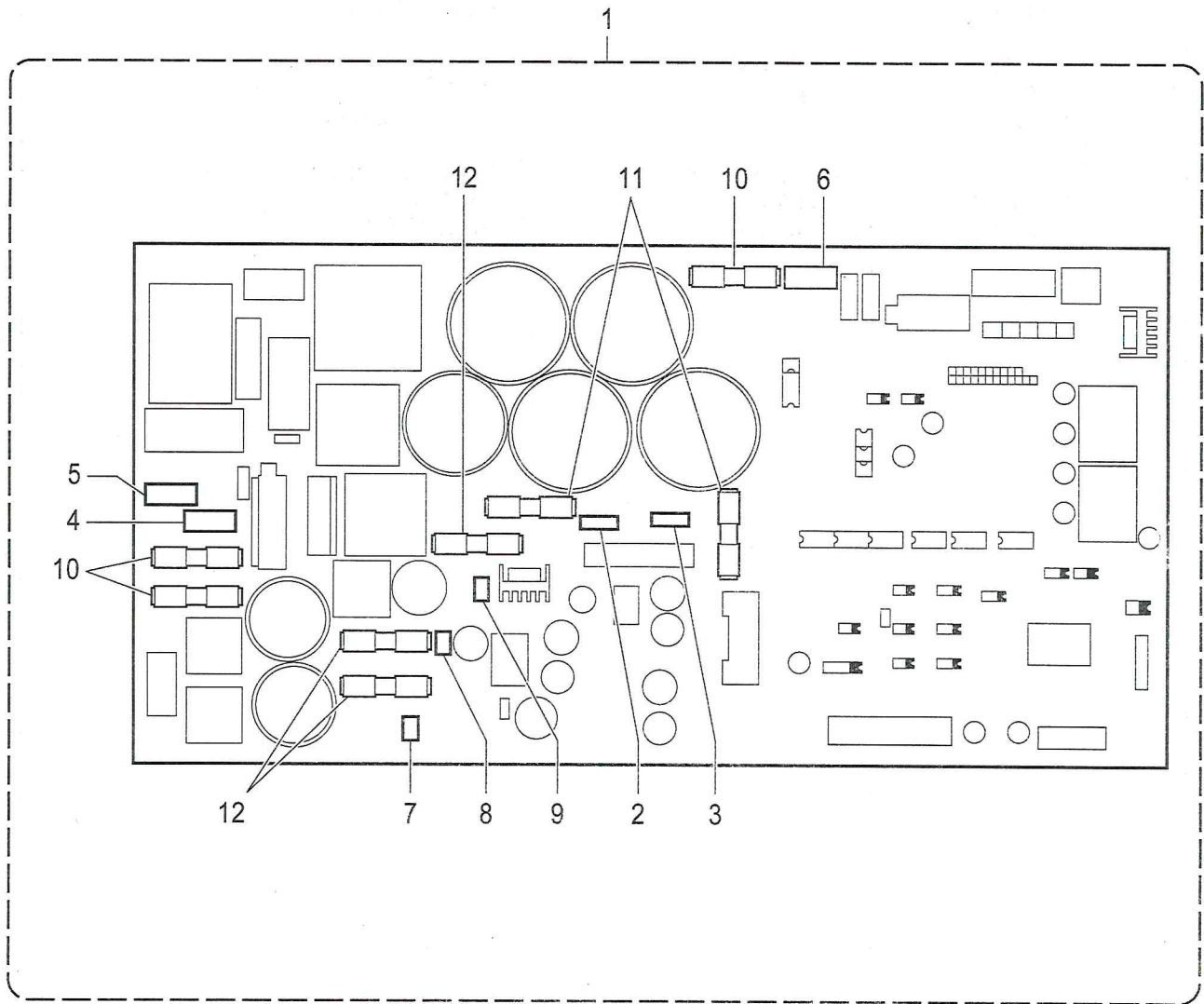




M1. 控制箱装置 / Control box mechanism

参照号	零部件序号	数量	零部件名称	NAME OF PARTS	RM
1	SA6364001	1	盖组件 CF	CF CAP ASSY	
2	SA3720001	1	<用于100-220V> 变压器 LV	<For "100-220V AC"> TRANSFORMER LOW VOLTAGE	
3	SA3808001	1	<用于380-400V> 变压器 HV	<For "380-400V AC"> TRANSFORMER HIGH VOLTAGE	
4	SA3797001	1	DC风扇马达组件	DC-FAN MOTOR ASSY	
5	SA4556001	1	主基板组件	PCB ASSY,MAIN	
6	SA3739301	1	基板组件 PMD	PCB ASSY,PMD	
7	SA3744001	3	FET FS10ASJ-2	TRANSISTOR, FET:FS10ASJ-2	
8	SA3722001	1	MOSFET FX20KMJ2	TRANSISTOR, FET:FX20KMJ-2	
9	S49484000	1	MOSFETFS10KMJ-2	TRANSISTOR, FET:FS10KMJ-2	
10	SA3806001	1	电线	HARNESS, MAIN POWER SUPPLY	
11	J04115001	1	感电标签(6国)	LABEL, ELEC. SHOCK 6 LANG	
12	537060001	1	标记 PE	LABEL, PE	
13	S37059001	3	PE标记	LABEL, GROUNDING	
14	SA3581001	1	<用于欧洲 三相 400V> 基板组件	<For Europe,"3-phase 400V AC"> PCB ASSY,NF	
15	SA3796001	1	电线 NF OUT	HARNESS,NF OUT	

M2 . 控制箱装置(电源基板) / Control box (PCB) mechanism

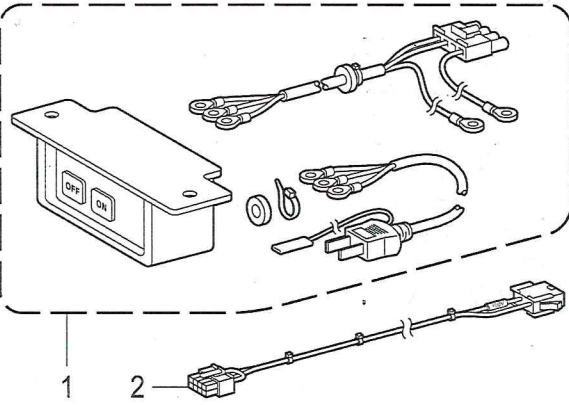


M2. 控制箱装置 (电源基板) / Control box (PCB) mechanism

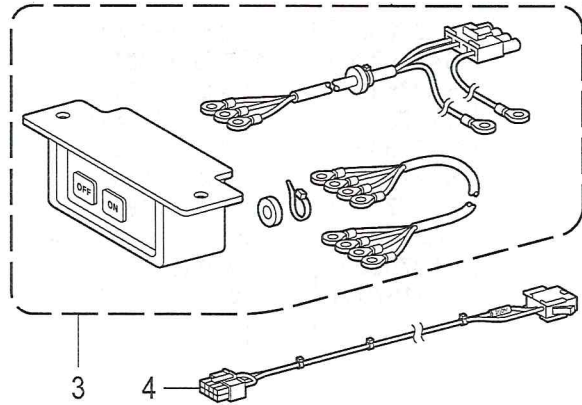
参照号	零部件序号	数量	零部件名称	NAME OF PARTS	RM
1	SA3755201	1	电源马达基板组件	PCB ASSY,POWER SUPPLY MOTOR	
2	SA3765001	1	电阻 V10D101	VARISTOR:V10D101	
3	SA3766001	1	电阻 V10D241	VARISTOR:V10D241	
4	SA3767001	1	电阻 V14D511	VARISTOR:V14D511	
5	SA3762001	1	电阻 V14D911	VARISTOR:V14D911	
6	SA3768001	1	电阻 V14D561	VARISTOR:V14D561	
7	SA3769001	1	电阻 V5D121	VARISTOR:V5D121	
8	SA3770001	1	电阻 V5D330	VARISTOR:V5D330	
9	SA3771001	1	电阻 V5D820	VARISTOR:V5D820	
10	SA3794001	3	保险丝 250V-15A	G FUSE S 15A	
11	SA3795001	2	保险丝 250V-6A	G FUSE S 6A	
12	616167001	3	保险丝 250V-3A	G FUSE S 3A	

N. 开关装置 / Power switch mechanism

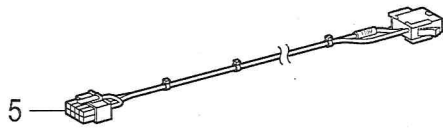
< 用于日本 单相 100V / For Japan, 1-phase 100V AC. >



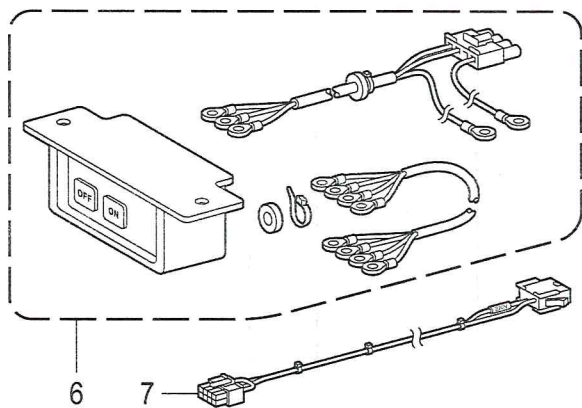
< 用于日本 三相 200V / For Japan, 3-phase 200V AC. >



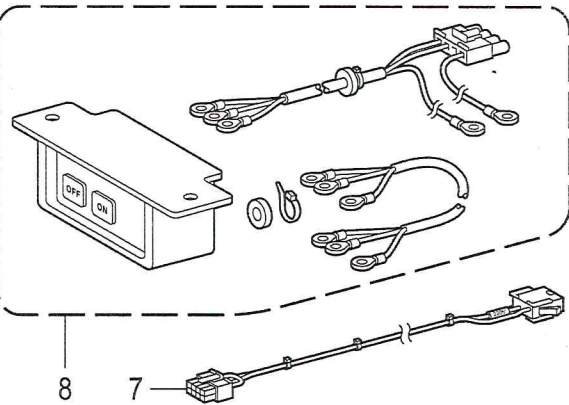
< 用于美国 单相 110V / For USA, 1-phase 110V AC. >



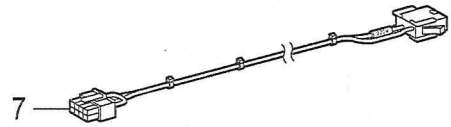
< 用于美国 三相 220V / For USA, 3-phase 220V AC. >



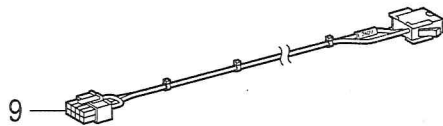
< 用于亚洲 单相 220V / For Asia, 1-phase 220V AC. >



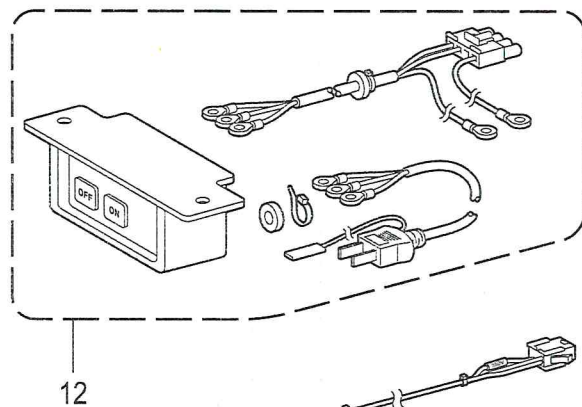
< 用于中国 单相 220V / For China, 1-phase 220V AC. >



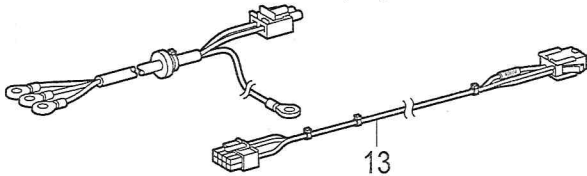
< 用于亚洲 单相 240V / For Asia, 1-phase 240V AC. >



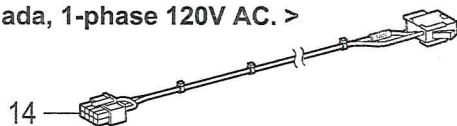
< 用于中国 三相 380V / For China, 3-phase 380V AC. >



< 用于欧洲 三相 400V / For EU, 3-phase 400V AC. >



< 用于加拿大 单相 120V / For Canada, 1-phase 120V AC. >



12

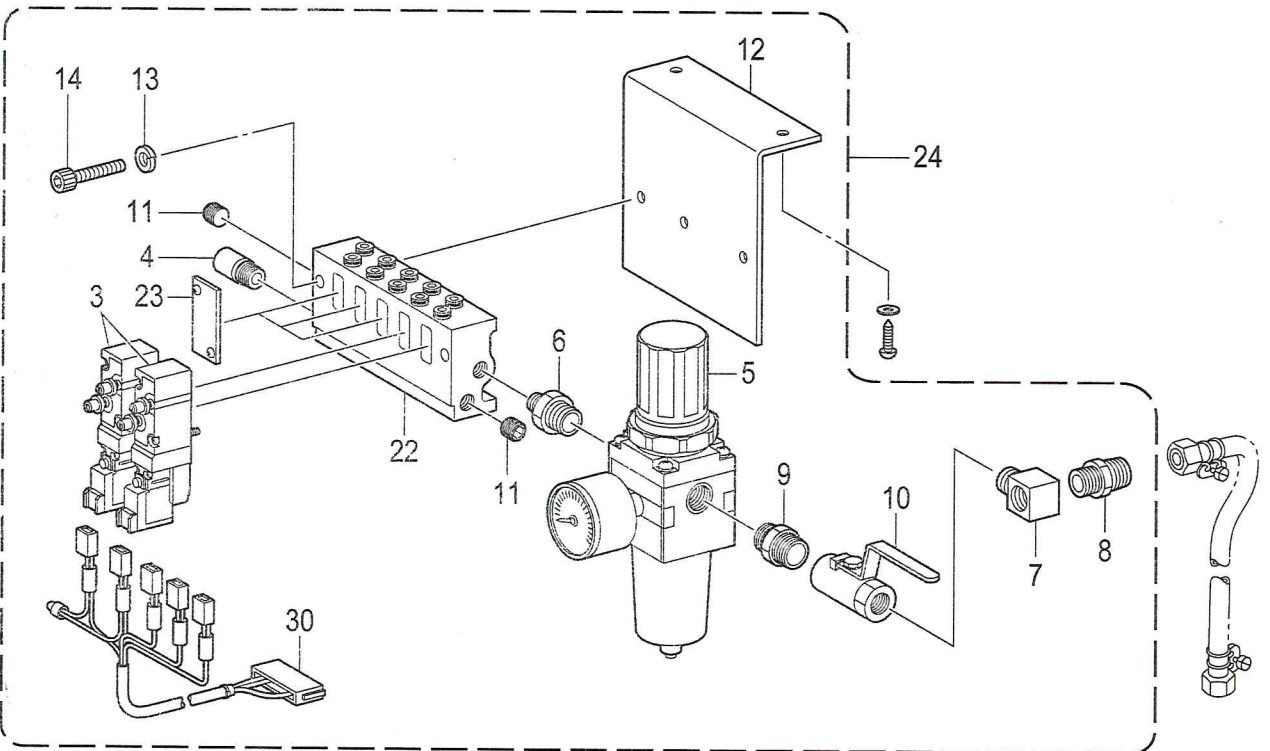
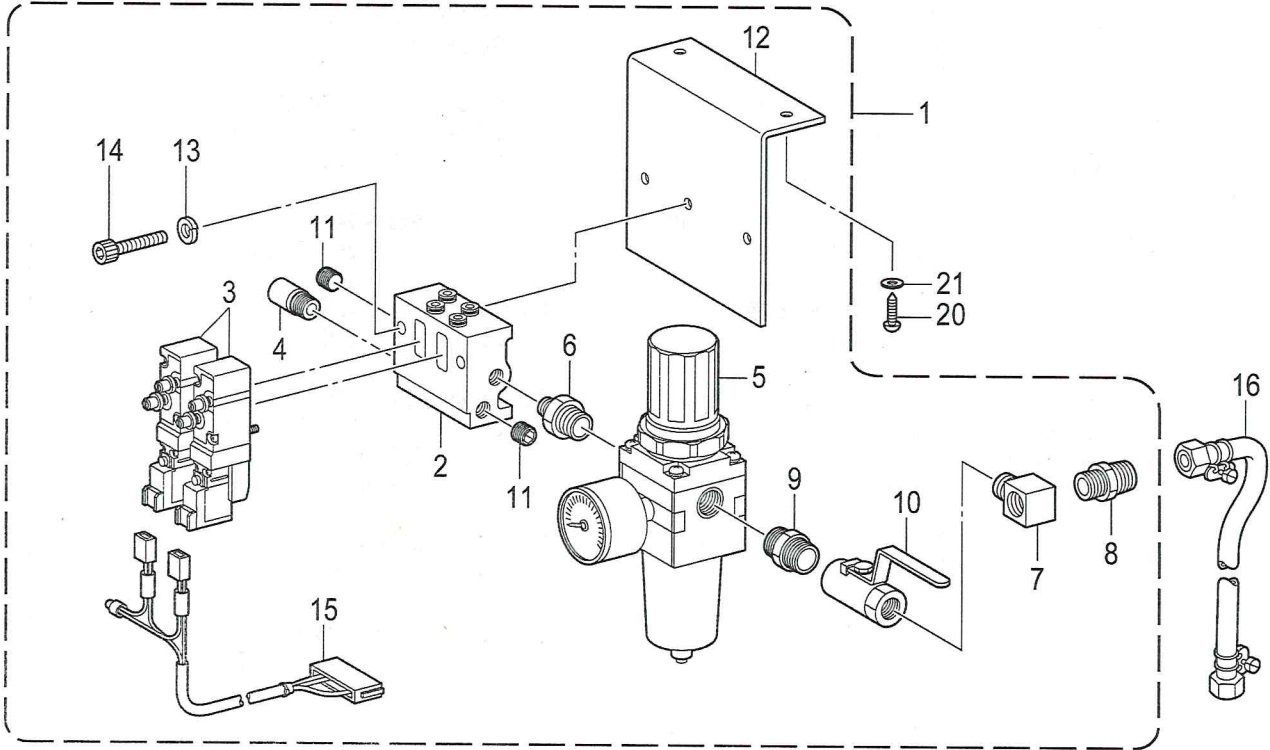
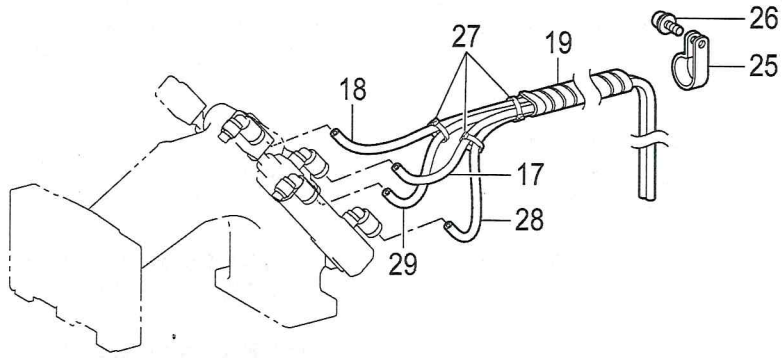
10

11

N. 开关装置 / Power switch mechanism

参照号	零部件序号	数量	零部件名称	NAME OF PARTS	RM
1	SA3813001	1	<用于日本 单相 100V> 电源开关组件 1P-JP	<For Japan, 1-phase 100V AC.> POWER SUPPLY SWITCH ASSY,1P-JP	
2	SA3822001	1	V切换电线 100V	VOLTAGE SELECT HARNESS 100V	
3	SA3819001	1	<用于日本 三相 200V> 电源开关组件 3P-JP	<For Japan,3-phase 200V AC.> POWER SUPPLY SWITCH ASSY,3P-JP	
4	SA3825001	1	V切换电线 200V	VOLTAGE SELECT HARNESS 200V	
5	SA3823001	1	<用于美国 单相 110V> V切换电线 110V	<For USA,1-phase 110V AC.> VOLTAGE SELECT HARNESS 110V	
6	SA3816001	1	<用于美国 三相 220V> 电源开关组件 3P-L	<For USA,3-phase 220V AC.> POWER SUPPLY SWITCH ASSY,3P-L	
7	SA3812001	1	V切换电线 220V	VOLTAGE SELECT HARNESS 220V	
8	SA3809001	1	<用于亚洲 单相 220V> 电源开关组件 1P	<For Asia, 1-phase 220V AC.> POWER SUPPLY SWITCH ASSY,1P	
7	SA3812001	1	V切换电线 220V	VOLTAGE SELECT HARNESS 220V	
9	SA3826001	1	<用于亚洲 单相 240V> V切换电线 240V	<For Asia, 1-phase 240V AC.> VOLTAGE SELECT HARNESS 240V	
7	SA3812001	1	<用于中国 单相 220V> V切换电线 220V	<For China,1-phase 220V AC.> VOLTAGE SELECT HARNESS 220V	
10	SA3827001	1	<用于中国 三相 380V> V切换电线 380V	<For China,3-phase 380V AC.> VOLTAGE SELECT HARNESS 380V	
11	SA3789101	1	V切换电线 H220V	VOLTAGE SELECT HARNESS H220V	
12	SA4510001	1	电源开关组件 3P-H	POWER SUPPLY SWITCH ASSY,3P-H	
13	SA3828001	1	<用于欧洲 三相 400V> V切换电线 400V	<For Europe,3-phase 400V AC.> VOLTAGE SELECT HARNESS 400V	
14	SA3824001	1	<用于加拿大 单相 120V> V切换电线 120V	<For Canada, 1-phase 120V AC.> VOLTAGE SELECT HARNESS 120V	

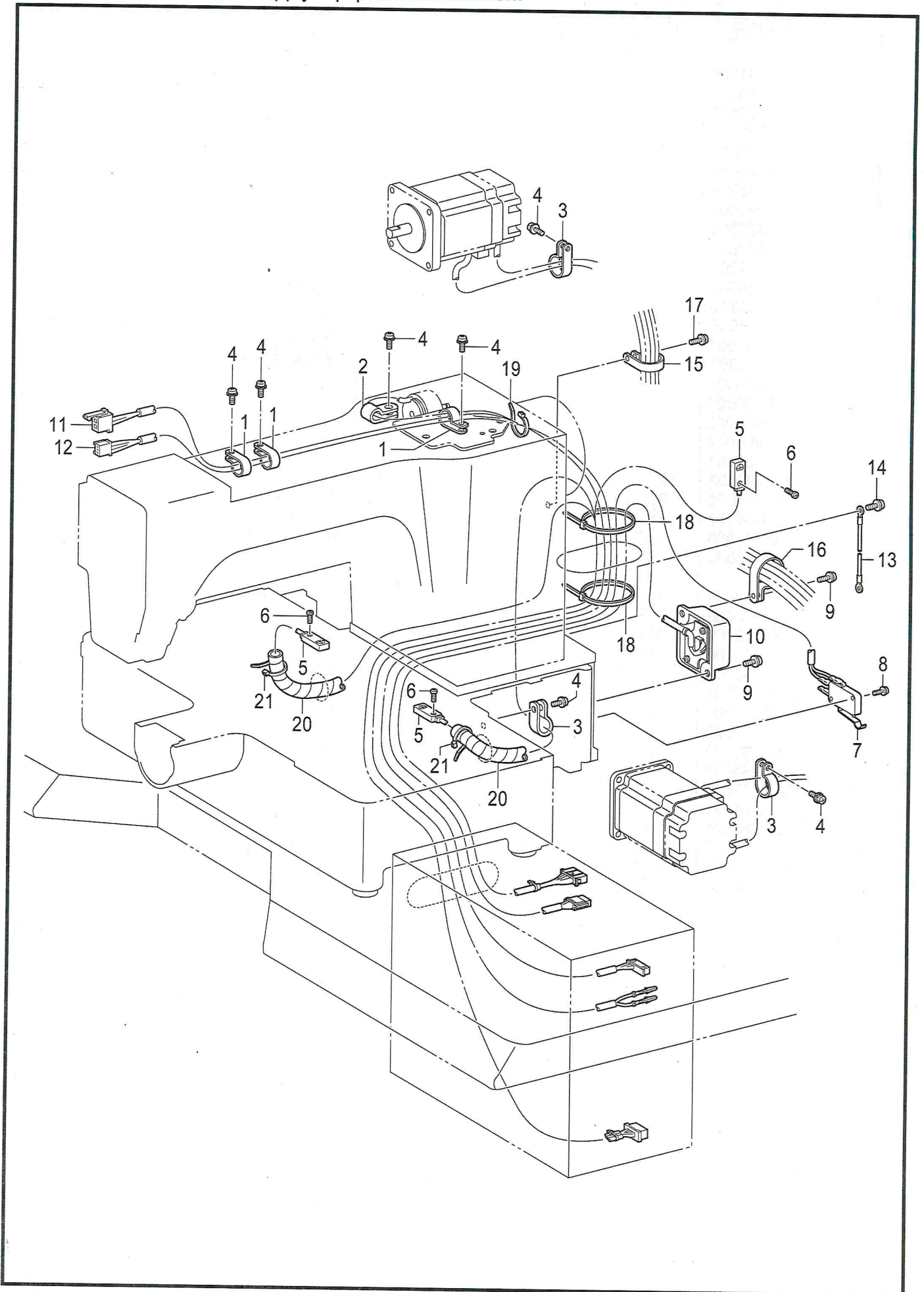
P. 空压装置 / Air pressure mechanism



P. 空压装置 / Air pressure mechanism

参照号	零部件序号	数量	零部件名称	NAME OF PARTS	RM
			<空压式>	<For Pneumatic type>	
1	SA5281001	1	电磁阀组件 2A	SOLENOID VALVE ASSY 2A	
2	SA5289001	1	集合管 2	MANIFOLD2	
3	S39116100	2	阀 VQZ2151S-5	VALVE, VQZ2151S-5	
4	SA5283001	1	消音器 AN103-1	SILENCER AN103-1	
5	SA5282001	1	调整器 AW20-02G	FILTER REGULATOR AW20-02G	
6	S09228000	1	管接头	NIPPLE 1/4X1/8	
7	153252000	1	接头 PT	PT-JOINT	
8	S04891000	1	中间接头 1/4	MIDDLE NIPPLE, 1/4	
9	SA5285001	1	中间接头 1/4	MIDDLE NIPPLE, 1/4	
10	SA6573001	1	球阀 Vo3 1/4	BALL VALVE Vo3 1/4	
11	153274001	2	盖 1/8	CAP, 1/8	
12	SA5286001	1	阀安装板	SETTING PLATE VALVE	
13	028050246	2	弹簧垫圈 2-5	WASHER SPRING 2-5	
14	018503036	2	螺栓 M5X30	BOLT SOCKET M5X30	
15	SA5191001	1	阀门接线2连组件	VALVE HARNESS X2 ASSY	
16	149796001	1	橡皮管带接头	AIR HOSE, W/CONNECTOR	
17	SA6405001	1	空气管 R	AIR TUBE, R	
18	SA6406001	1	空气管 L	AIR TUBE, L	
28	SA6405002	1	空气管 R	AIR TUBE, R	
29	SA6406002	1	空气管 L	AIR TUBE, L	
19	SA6407001	1	保护用弹性管 470S	SPIRAL, 470S	
20	032422003	2	木螺钉 M4.1X20	WOOD SCREW, ROUND 2 M4.1X20	
21	148847001	2	垫圈	WASHER, PLAIN 4.76	
25	525664000	1	电线夹 #6	CORD HOLDER, #6	
26	0A5401005	1	螺栓(带垫圈) M4X10DB	SCREW PAN (S/P WASHER) M4X10	
27	228475000	3	电线夹 1.9X80	FASTENING BAND, 1.9X80	
24	SA5288001	1	电磁阀组件 5A	SOLENOID VALVE ASSY 5A	
22	SA5290001	1	集合管 5	MANIFOLD5	
23	S53982000	3	隔板	BLANKING PLATE ASSY	
3	S39116100	2	阀 VQZ2151S-5	VALVE, VQZ2151S-5	
4	SA5283001	1	消音器 AN103-1	SILENCER AN103-1	
5	SA5282001	1	调整器 AW20-02G	FILTER REGULATOR AW20-02G	
6	S09228000	1	管接头	NIPPLE 1/4X1/8	
7	153252000	1	接头 PT	PT-JOINT	
8	S04891000	1	中间接头 1/4	MIDDLE NIPPLE, 1/4	
9	SA5285001	1	中间接头 1/4	MIDDLE NIPPLE, 1/4	
10	SA6573001	1	球阀 Vo3 1/4	BALL VALVE Vo3 1/4	
11	153274001	2	盖 1/8	CAP, 1/8	
12	SA5286001	1	阀安装板	SETTING PLATE VALVE	
13	028050246	2	弹簧垫圈 2-5	WASHER SPRING 2-5	
14	018503036	2	螺栓 M5X30	BOLT SOCKET M5X30	
30	SA5192001	1	阀门接线5连组件	VALVE HARNESS X5 ASSY	

Q. 电气部品装置 / Power supply equipment mechanism

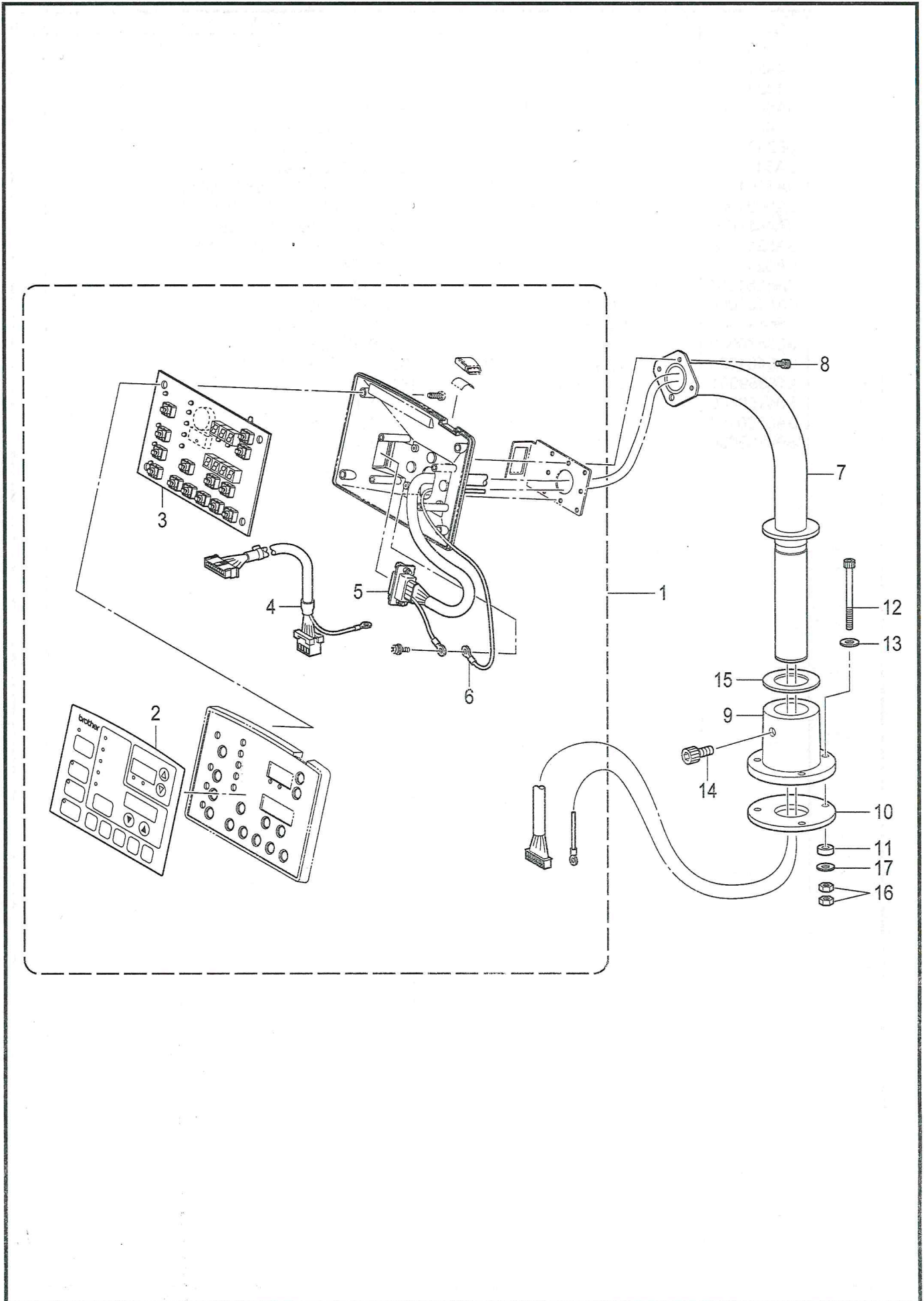




Q. 电气部品装置 / Power supply equipment mechanism

参照号	零部件序号	数量	零部件名称	NAME OF PARTS	RM
1	525567000	3	电线夹 #8	CORD HOLDER, #8	
2	149547000	1	压线板	CORD HOLDER, 4N	
3	149287000	3	压线板	CORD HOLDER, 7N	
4	0A5401006	7	螺栓(带垫圈) M4X10DB	SCREW PAN (S/P WASHER) M4X10	
5	SA4830001	1	传感器组件	H-POSITION SENSOR ASSY	
6	062300816	3	螺钉 M3X8	SCREW PAN M3X8	
7	SA3481001	1	机头开关组件	SWITCH ASSY, MACHINE HEAD	
8	0A5301605	2	螺栓(带垫圈) M3X16DB	SCREW PAN (S/P WASHER) M3X16	
9	0A5401006	2	螺栓(带垫圈) M4X10DB	SCREW PAN (S/P WASHER) M4X10	
10	SA4824001	1	头部检出复合件	HEAD DETECTOR UNIT ASSY	
11	SA5210001	1	电磁铁接线	THREAD WIPER SOLENOID HARNESS	
12	SA5214001	1	开关接线	STOP SWITCH HARNESS	
13	SA5261001	1	接地线 450	GROUND WIRE 450	
14	0A5401006	1	螺栓(带垫圈) M4X10DB	SCREW PAN (S/P WASHER) M4X10	
15	554482000	1	电线夹 #12	CORD HOLDER, #12	
16	S00470000	1	电线夹 #16	CORD HOLDER, 16N	
17	0A5401006	2	螺栓(带垫圈) M4X10DB	SCREW PAN (S/P WASHER) M4X10	
18	218859001	2	电线夹 M150	BINDER, M150	
19	S04159000	1	线夹 1M	BAND, 1M	
20	SA6560101	2	保护用螺旋管 140SS	SPIRAL, 140SS	
21	S04159000	2	线夹 1M	BAND, 1M	

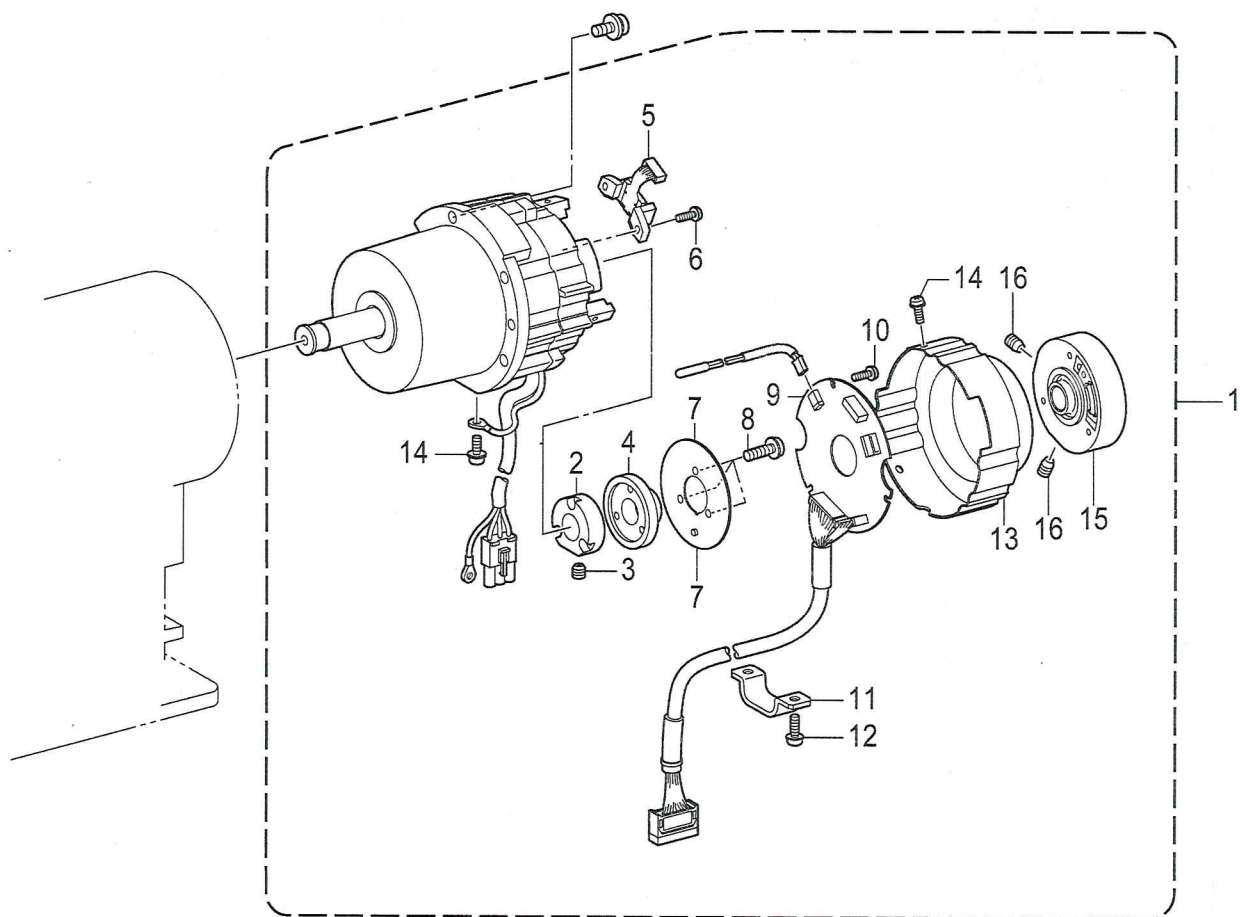
R. 操作盘装置 / Operation panel mechanism



R. 操作盘装置 / Operation panel mechanism

参照号	零部件序号	数量	零部件名称	NAME OF PARTS	RM
1	SA4834001	1	操作盘组件	OPERATION PANEL ASSY	
2	SA3831001	1	操作盘面板	PANEL SHEET	
3	SA3833101	1	操作盘基板组件	PANEL PCB ASSY	
4	SA4563001	1	操作盘接线	PANEL HARNESS	
5	SA4837001	1	程序器中继线	PROGRAMMER CONNECTING HARNESS	
6	SA4841001	1	接地线	GROUND WIRE	
7	SA4836001	1	操作盘支柱	OPERATION PANEL STAND	
8	018400636	3	螺栓 M4X6	BOLT SOCKET M4X6	
9	S43236009	1	操作盘基座	OPERATION PANEL BASE	
10	S43674000	1	缓震垫 A	CUSHION, A	
11	S43675000	3	缓震垫 B	CUSHION, B	
12	S25634101	3	螺栓 M5X65	BOLT, SOCKET M5X65	
13	025050236	3	平垫圈 M5	WASHER PLAIN M 5	
14	018081636	1	螺栓 M8X16	BOLT SOCKET M8X16	
15	S10408000	1	橡皮垫片	RUBBER SHEET	
16	021500106	6	六角螺母 M5	NUT 1 M5	
17	025050336	3	平垫圈 L5	WASHER PLAIN L 5	

S. 马达装置 / Motor mechanism

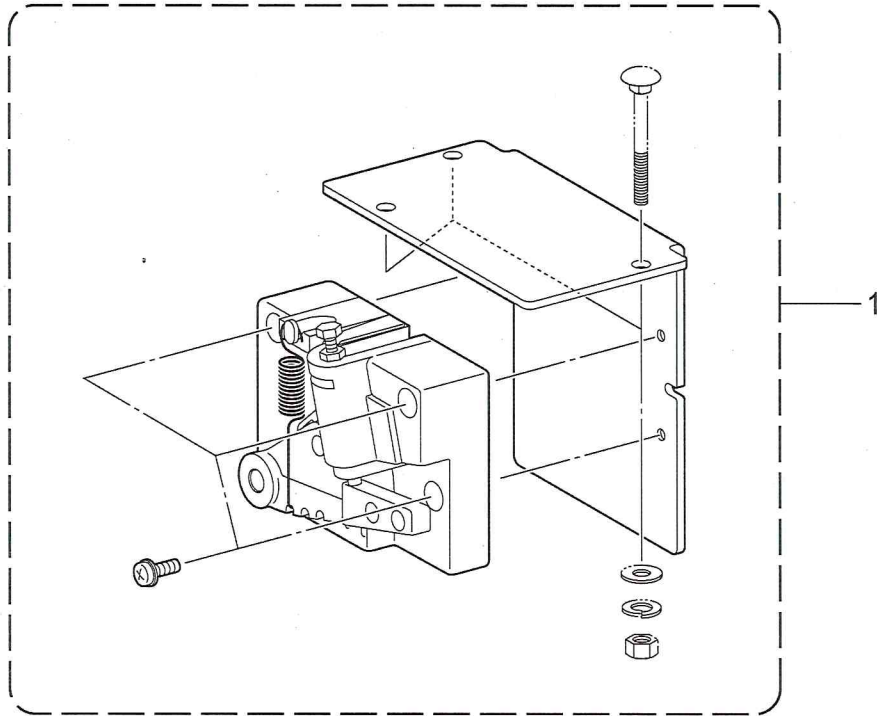


S. 马达装置 / Motor mechanism

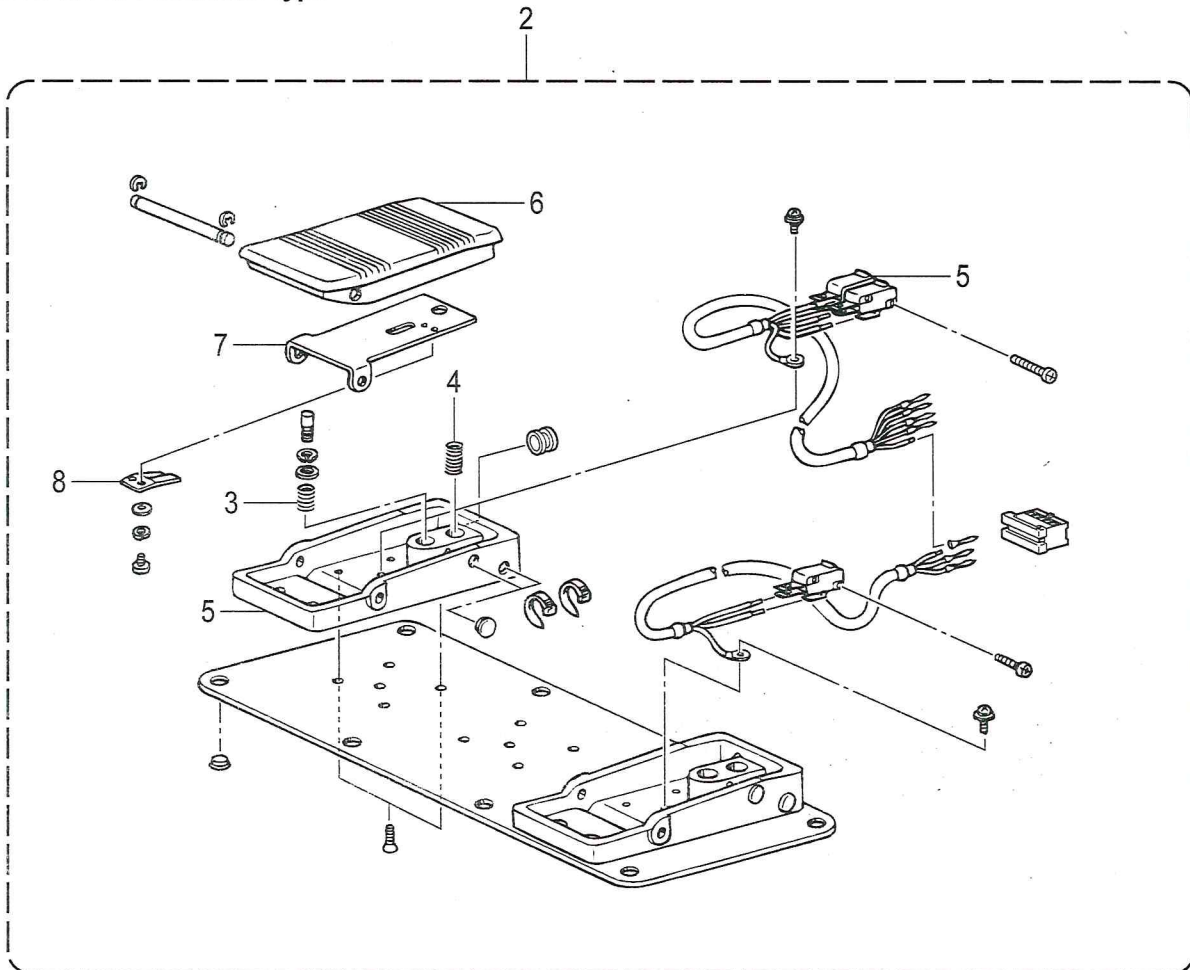
参照号	零部件序号	数量	零部件名称	NAME OF PARTS	RM
1	J80991001	1	马达组件 CDD-430D	MOTOR ASSY, CDD-430D	
2	J03955001	1	磁鼓 CDD	DRUM CDD	
3	014400632	1	螺钉 M4X6	SET SCREW, SOCKET (CP) M4X6	
4	J03956001	1	磁铁 180P36	MAGNET 180P36	
5	J03957001	1	MR感应器组件 180P	MR SENSOR ASSY 180P	
6	0A4300805	1	螺栓(带垫圈) M3X8DA	SCREW, PAN (S/P WASHER) M3X8	
7	J03958001	1	屏蔽板 CDD	SHIELD PLATE CDD	
8	0A4261005	3	螺栓(带垫圈) M2.6X10DA	SCREW, PAN (S/P WASHE) M2.6X10	
9	J04488001	1	ENC 基板组件 430D#2	ENC PCB ASSY, 430D#2	
10	0A5300606	3	螺栓(带垫圈) M3X6DB	SCREW, PAN (S/P WASHER) M3X6	
11	J04230001	1	电线固定夹 CDD-HT	CORD HOLDER, CDD-HT	
12	0A4401005	3	螺栓(带垫圈) M4X10DA	SCREW, PAN (S/P WASHE) M4X10	
13	J04388001	1	编码器盖 430D	ENCODER COVER, 430D	
14	0A4300805	3	螺栓(带垫圈) M3X8DA	SCREW, PAN (S/P WASHER) M3X8	
15	J04303001	1	同步轮组件 430D	PULLEY HOLDER ASSY, 430D	
16	014500632	2	螺钉 M5X6	SET SCREW, SOCKET (CP) M5X6	

T. 踏板关系 / Foot switch pedal mechanism

< 电磁式 / For solenoid type >

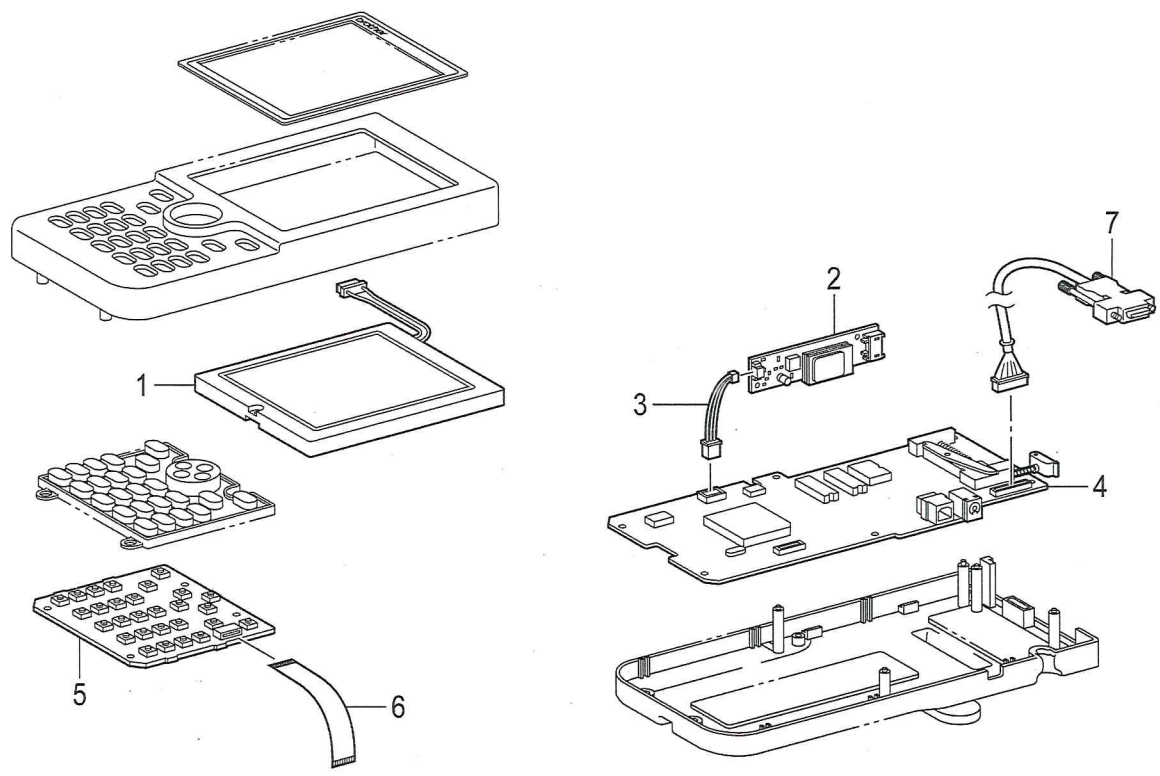


< 空压式 / For Pneumatic type >



T. 踏板关系 / Foot switch pedal mechanism

参照号	零部件序号	数量	零部件名称	NAME OF PARTS	RM
1	SA3519101	1	<电磁式> 踏板复合件 A	<For Solenoid type> TREADLE UINT,A ASSY	
2	SA6038001	1	<空压式> 2连脚踏开关组件	<For Pneumatic type> 2-PEDAL FOOT SWITCH, SW ASSY	
3	S38168001	1	弹簧	SPRING, COMPRESSION 10X30	
4	S38170001	2	弹簧	FOOT PEDAL SPRING	
5	S36260000	3	开关 VX	PIN BUTTON MICRO SWITCH, VX	
6	S38174000	2	脚踏板	FOOT PEDAL	
7	S38175001	2	脚踏护板	PROTECTION PLATE, PEDAL	
8	S38176101	2	弹簧板	SPRING, PLATE	

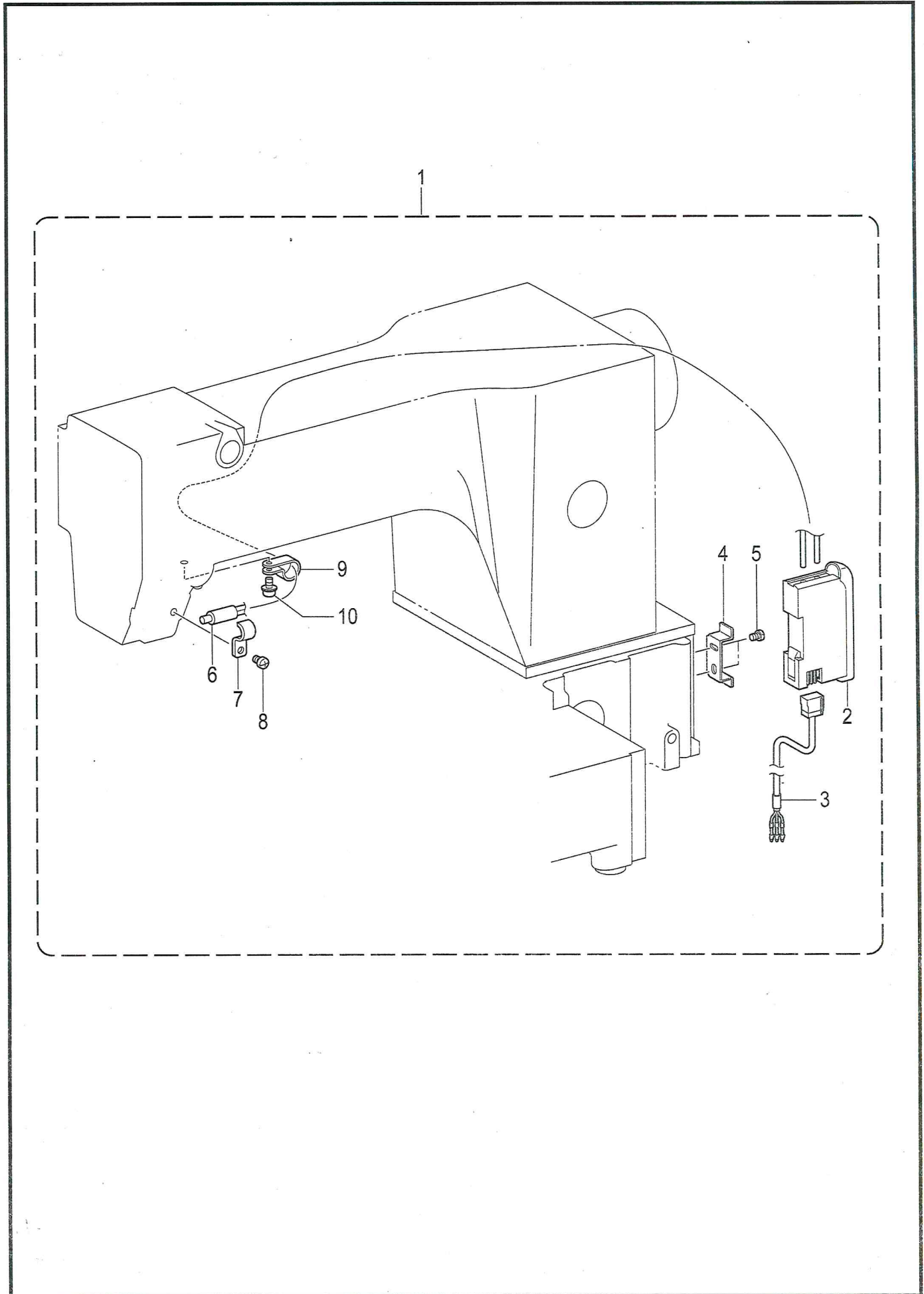




U. 编程装置 / Programmer

参照号	零部件序号	数量	零部件名称	NAME OF PARTS	RM
1	SA5164001	1	LCD 模数	LCD MODULE	
2	SA5165001	1	LCD 变换器	LCD INVERTER	
3	SA5166001	1	变换器接线	INVERTER HARNESS	
4	SA5170001	1	编程器基板组件	PROGRAMMER PCB ASSY	
5	SA5172001	1	开关基板组件	SWITCH PCB ASSY	
6	SA5168001	2	FFC 接线	FFC:SML2CD	
7	SA5167001	1	编程器接线	PROGRAMMER HARNESS	

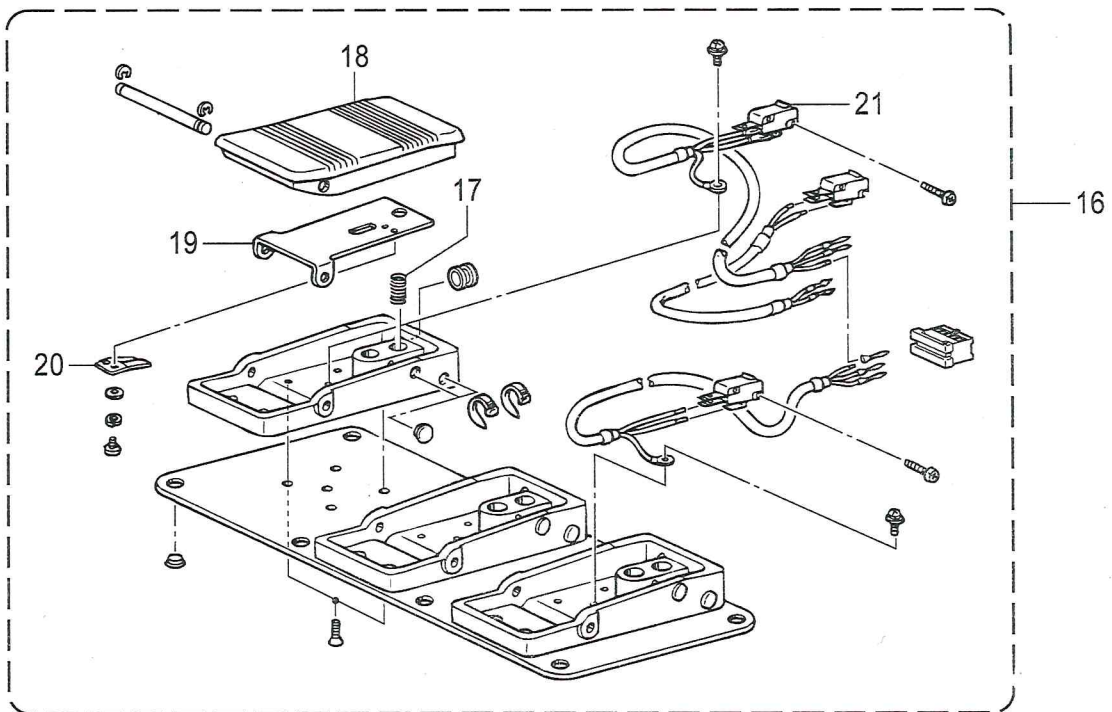
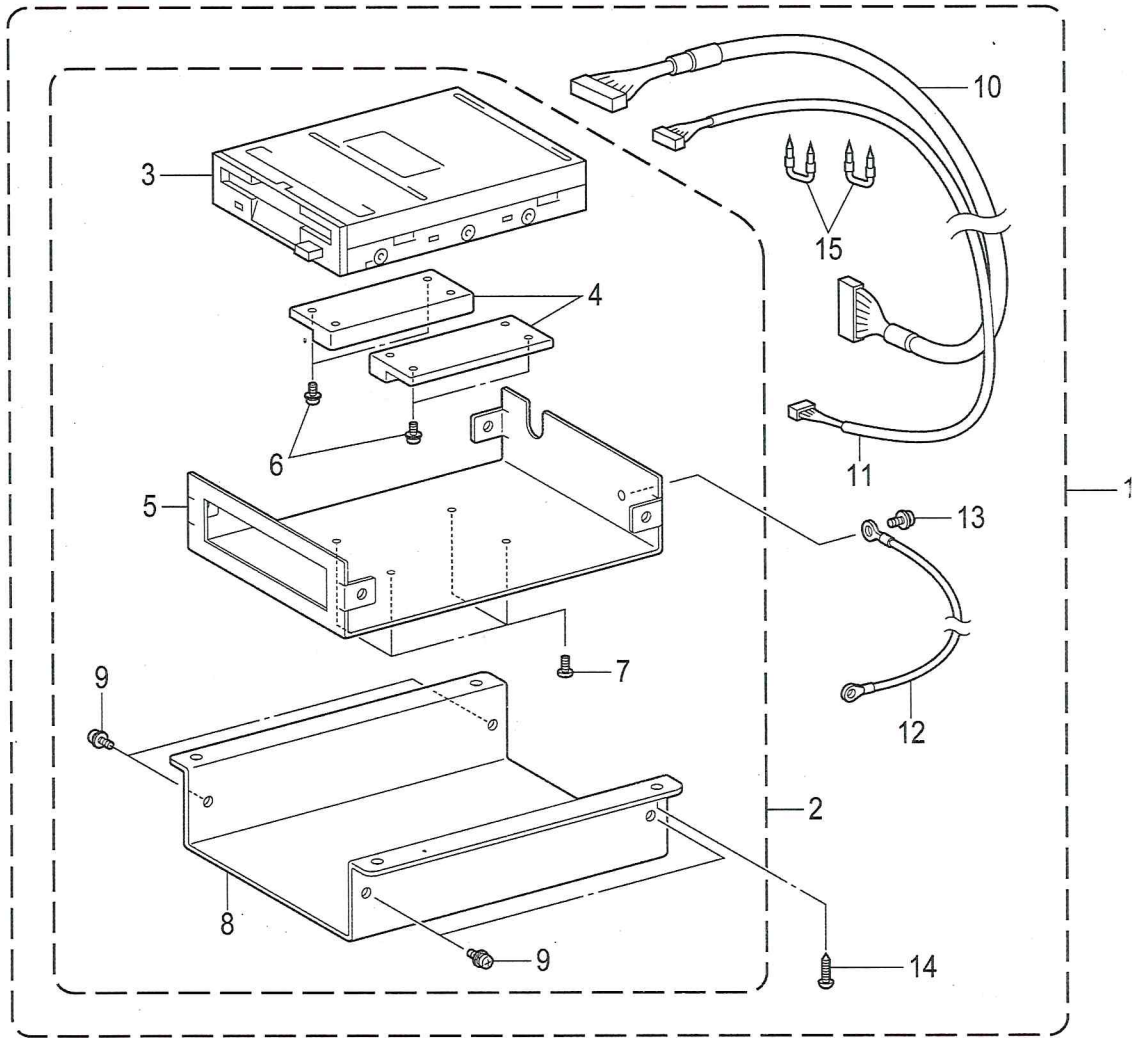
V1 . 附属装置(选购件) / Attachment set (Option parts)



V1. 附属装置(选购件) / Attachment set (Option parts)

参照号	零部件序号	数量	零部件名称	NAME OF PARTS	RM
			<b>&lt;用于欧洲以外&gt;</b>	<b>&lt;Except for Europe&gt;</b>	
1	SA5193001	1	断线传感装置组件 F	TR-BREAKAGE DETECTOR SET F	
2	SA4816001	1	信号放大器 FX311	FIBER AMP FX311	
3	SA4817001	1	电缆线组件	AMP CABLE ASSY	
4	SA4818001	1	放大器安装支架	DIN METAL FITTING	
5	062300616	2	螺钉 M3X6	SCREW PAN M3X6	
6	SA4819001	1	光导纤维传感器 FDFM2	FIBER FDFM2	
7	SA5194001	1	传感器安装板	SENSOR SETTING PLATE	
8	062500616	1	螺钉 M5X6	SCREW PAN M5X6	
9	625010000	1	尼龙夹 NK-2N	NYLON CLAMP NK-2N	
10	0A5401006	1	螺栓(带垫圈) M4X10DB	SCREW PAN (S/P WASHER) M4X10	
			<b>&lt;用于欧洲&gt;</b>	<b>&lt;For Europe only&gt;</b>	
1	SA51930E1	1	断线传感装置组件 F	TR-BREAKAGE DETECTOR SET F	
2	SA48160E1	1	信号放大器 FX311	FIBER AMP FX311	
3	SA4817001	1	电缆线组件	AMP CABLE ASSY	
4	SA4818001	1	放大器安装支架	DIN METAL FITTING	
5	062300616	2	螺钉 M3X6	SCREW PAN M3X6	
6	SA4819001	1	光导纤维传感器 FDFM2	FIBER FDFM2	
7	SA5194001	1	传感器安装板	SENSOR SETTING PLATE	
8	062500616	1	螺钉 M5X6	SCREW PAN M5X6	
9	625010000	1	尼龙夹 NK-2N	NYLON CLAMP NK-2N	
10	0A5401006	1	螺栓(带垫圈) M4X10DB	SCREW PAN (S/P WASHER) M4X10	

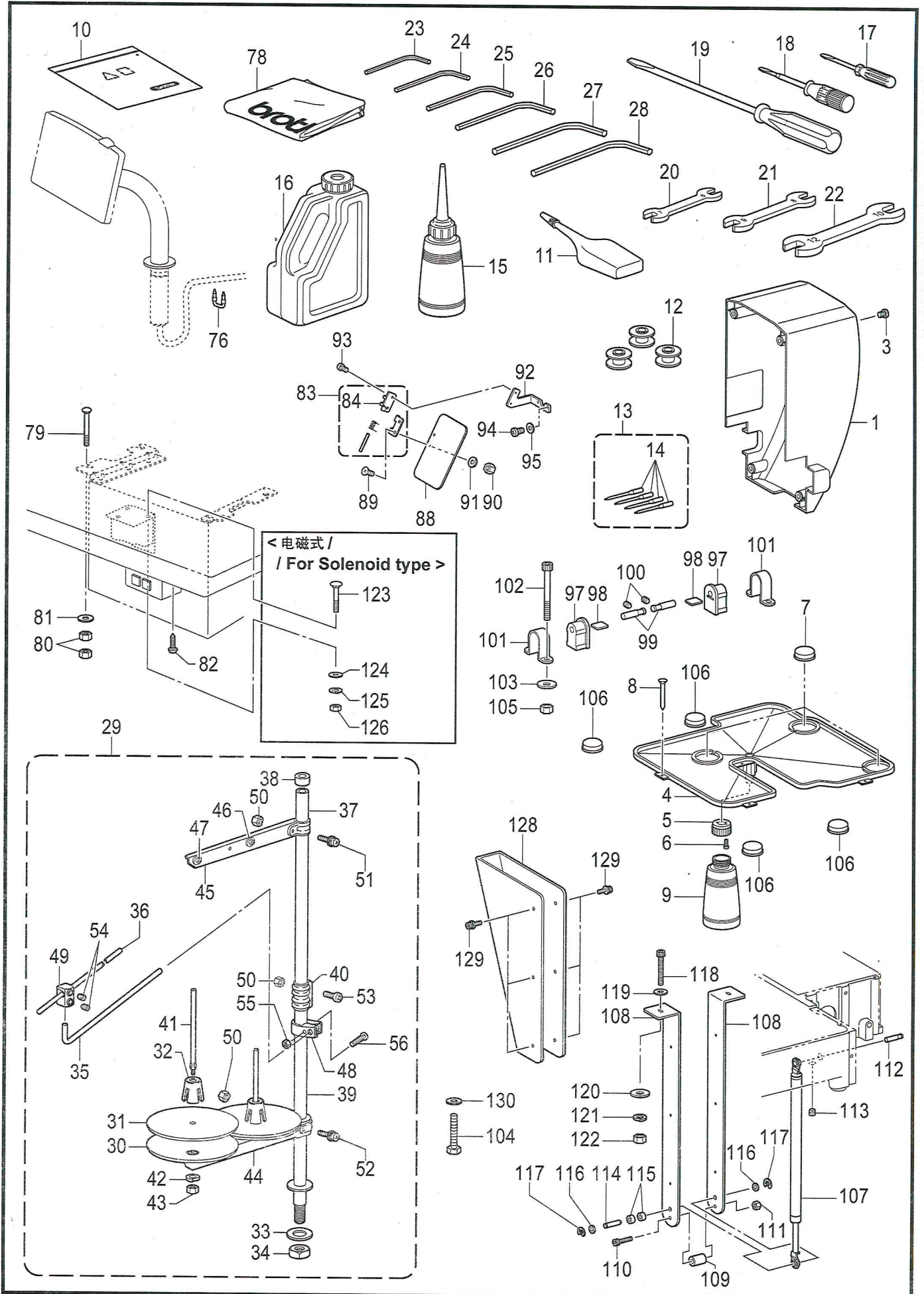
V2. 附属装置(选购件) / Attachment set (Option parts)



V2. 附属装置(选购件) / Attachment set (Option parts)

参照号	零部件序号	数量	零部件名称	NAME OF PARTS	RM
			<用于欧洲以外>	<Except for Europe>	
1	SA5201001	1	FDD大组件	FDD SET	
2	SA5202001	1	FDD复合件	FDD UNIT ASSY	
3	SA6628001	1	FDD	FDD	
4	S43225000	2	FDD隔离板	SPACER, FDD	
5	SA5203001	1	FDD机座板	FDD BASE PLATE	
6	0A4300605	4	螺栓(带垫圈) M3X6DA	SCREW PAN (S/P WASHER) M3X6	
7	037300816	4	螺销 M3X8	TAPPING SCREW PAN V M3X8	
8	SA5204001	1	FDD盖	FDD COVER	
9	0A4300805	4	螺栓(带垫圈) M3X8DA	SCREW PAN (S/P WASHER) M3X8	
10	SA5205001	1	FDD接线	FDD HARNESS	
11	SA5206001	1	FDD电源线	FDD POWER HARNESS	
12	SA5134001	1	接地线	GROUND WIRE	
13	0A4300805	1	螺栓(带垫圈) M3X8DA	SCREW PAN (S/P WASHER) M3X8	
14	032421302	4	木螺钉 M4. 1X13	WOOD SCREW ROUND 2 M4.1X13	
15	200190001	2	U形卡钉	STAPLE 10X20	
			<用于欧洲>	<For Europe only>	
1	SA52010E1	1	FDD大组件	FDD SET	
2	SA52020E1	1	FDD复合件	FDD UNIT ASSY	
3	SA6628001	1	FDD	FDD	
4	S43225000	2	FDD隔离板	SPACER, FDD	
5	SA5203001	1	FDD机座板	FDD BASE PLATE	
6	0A4300605	4	螺栓(带垫圈) M3X6DA	SCREW PAN (S/P WASHER) M3X6	
7	037300816	4	螺销 M3X8	TAPPING SCREW PAN V M3X8	
8	SA5204001	1	FDD盖	FDD COVER	
9	0A4300805	4	螺栓(带垫圈) M3X8DA	SCREW PAN (S/P WASHER) M3X8	
10	SA5205001	1	FDD接线	FDD HARNESS	
11	SA5206001	1	FDD电源线	FDD POWER HARNESS	
12	SA5134001	1	接地线	GROUND WIRE	
13	0A4300805	1	螺栓(带垫圈) M3X8DA	SCREW PAN (S/P WASHER) M3X8	
14	032421302	4	木螺钉 M4. 1X13	WOOD SCREW ROUND 2 M4.1X13	
15	200190001	2	U形卡钉	STAPLE 10X20	
			<用于欧洲以外>	<Except for Europe>	
16	SA6495001	1	3连脚踏开关组件	3-PEDAL FOOT SW ASSY	
17	S38170001	3	弹簧	FOOT PEDAL SPRING	
18	S38174000	3	脚踏板	FOOT PEDAL	
19	S38175101	3	脚踏护板	PROTECTION PLATE PEDAL	
20	S38176101	3	弹簧板	SPRING, PLATE	
21	S36260000	1	开关 VX	PIN BUTTON MICRO SWITCH, VX	
			<用于欧洲>	<For Europe only>	
16	SA64950E1	1	3连脚踏开关组件	3-PEDAL FOOT SW ASSY	
17	S38170001	3	弹簧	FOOT PEDAL SPRING	
18	S38174000	3	脚踏板	FOOT PEDAL	
19	S38175101	3	脚踏护板	PROTECTION PLATE PEDAL	
20	S38176101	3	弹簧板	SPRING, PLATE	
21	S36260000	1	开关 VX	PIN BUTTON MICRO SWITCH, VX	

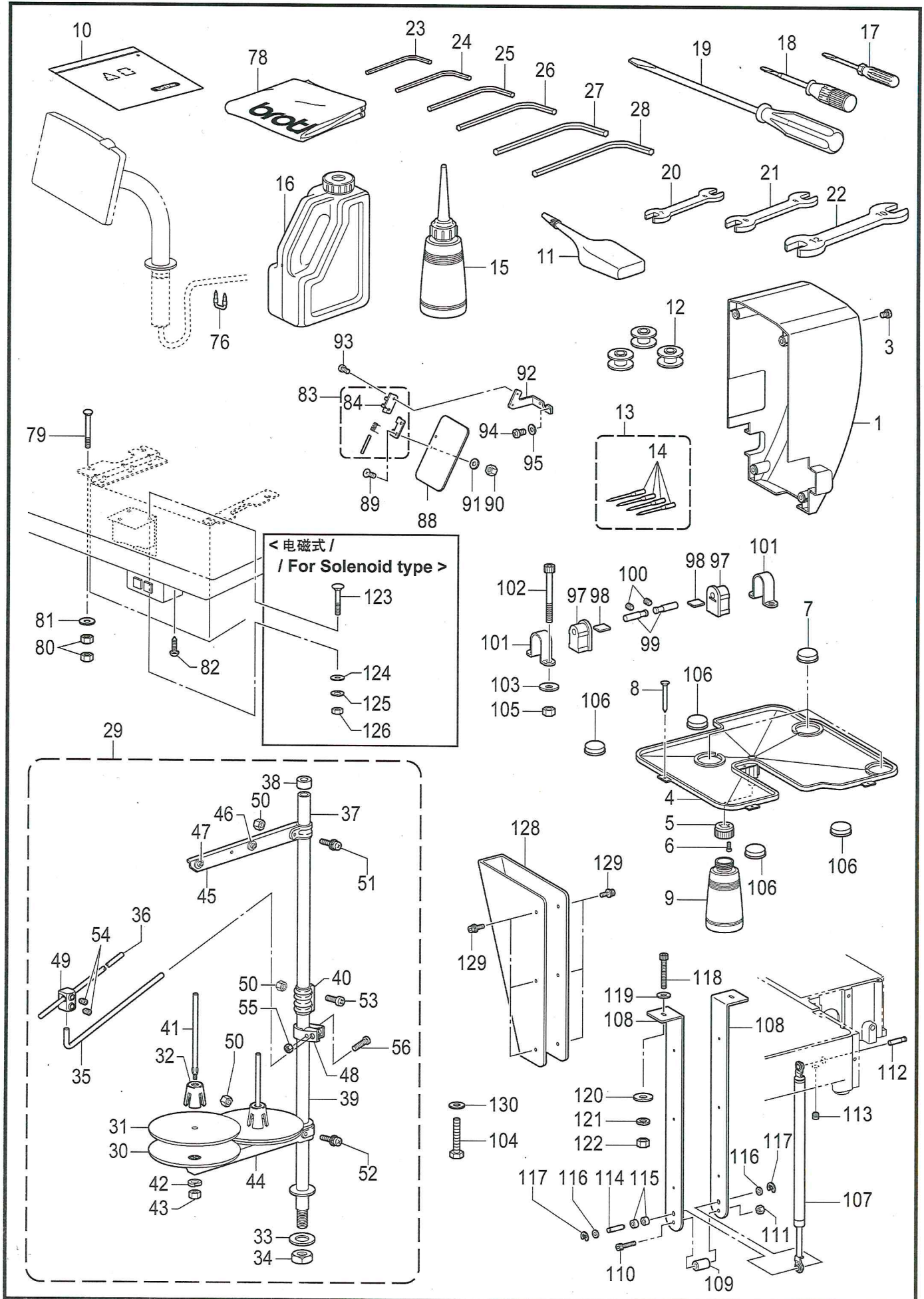
Z. 附件 / Accessories



## Z. 附件 / Accessories

参照号	零部件序号	数量	零部件名称	NAME OF PARTS	RM
1	SA4842001	1	马达盖	MOTOR COVER	
3	062061016	4	螺钉 M6X10	SCREW PAN M6X10	
4	SA4844001	1	油盘	OIL PAN	
5	154467001	1	废油回收壶盖	DUST OILER	
6	037301215	2	螺销 M3X12	TAPPING SCREW PAN V M3X12	
7	SA3540001	3	缓冲橡皮垫	RUBBER CUSHION	
8	109714000	7	钉	NAIL	
9	114486002	1	油壶	OILER	
10	122991001	1	附属品塑料袋	ACCESSORY BAG	
11	S06706001	1	硅油	SILICONE OIL	
12	S44633001	3	梭芯 LAN	BOBBIN, LAN	
13	* P. 67	1	机针组件(4支装)	NEEDLE 4PIECE ASSY	
14	* P. 67	4	机针	NEEDLE	
15	114483002	1	油壶组件	OILER ASSY	
16	S55663001	1	油罐组件	OIL TANK ASSY	
17	142443001	1	小起子 1.9X52	SCREW-DRIVER, 1.9X52	
18	118837001	1	起子 3.4X70	SCREW-DRIVER, 3.4X70	
19	101572102	1	起子 5.5X190	SCREW-DRIVER, 5.5X190	
20	107779001	1	扳手 6X7	WRENCH, 6X7	
21	100887001	1	双头扳手 8X9	WRENCH, 8X9	
22	107780001	1	扳手 10X12	WRENCH, 10X12	
23	S07783001	1	内六角扳手 1.5	HEXAGONAL WRENCH, 1.5	
24	142002001	1	内六角扳手 2	HEXAGONAL WRENCH, 2	
25	154125001	1	内六角扳手 2.5	HEXAGONAL WRENCH, 2.5	
26	142721001	1	内六角扳手 3	HEXAGONAL WRENCH, 3	
27	118064001	1	内六角扳手 4	HEXAGONAL WRENCH, 4	
28	150335001	1	内六角扳手 5	HEXAGONAL WRENCH, 5	
29	S40574209	1	线架组件 2DTHF	COTTON STAND ASSY, 2DTHF	
30	S51283001	2	垫圈	SPOOL STAND BASE	
31	150182000	2	线盘软垫	SPOOL MAT	
32	S51282101	2	线轴缓冲架	SPOOL CUSHION	
33	150206002	1	平垫圈 16	WASHER, PLAIN 16	
34	S38648001	1	螺母 U5/8-28	NUT, U5/8-28	
35	S04109001	1	过线杆支杆	THREAD GUIDE SUPPORT BAR	
36	142997001	1	过线杆 3	THREAD GUIDE, 3	
37	150172003	1	线架支撑管	COLUMN PIPE	
38	150174000	1	线架支撑管套	COLUMN CAP	
39	156112003	1	线架撑管 D	COLUMN PIPE, D	
40	150173003	1	撑管夹	COLUMN JOINT	
41	150179002	2	线轴 B	SPOOL SHAFT, B	
42	028050246	2	弹簧垫圈 2-5	WASHER SPRING 2-5	
43	021500106	2	六角螺母 M5	NUT 1 M5	
44	S02778002	1	插线架 2	SPOOL HOLDER, 2	
45	S02787002	1	过线架 2	THREAD HANGER, 2	
46	150183000	2	过线管套	THREAD HANGER BASE	
47	142990001	2	过线架上过线管	THREAD BUSH	
48	150185009	1	过线杆夹头	THREAD GUIDE HOLDER	
49	138843001	1	连接器	JOINT	
50	021500106	4	六角螺母 M5	NUT 1 M5	
51	S37038001	1	螺钉 M5X14	SCREW, PAN(S/P WASHER) M5X14	
52	S37037001	1	螺钉 M5X32	SCREW, PAN (S/P WASHER) M5X32	
53	062501406	2	螺钉 M5X14	SCREW PAN M5X14	
54	014060632	2	固定螺钉 M6X6	SET SCREW SOCKET (CP) M6X6	
55	021500106	1	六角螺母 M5	NUT 1 M5	
56	S37037001	1	螺钉 M5X32	SCREW, PAN (S/P WASHER) M5X32	

Z. 附件 / Accessories











## Z. 附件 / Accessories

参照号	零部件序号	数量	零部件名称	NAME OF PARTS	RM
76	200190001	7	U形卡钉	STAPLE,10X20	
78	144226001	1	机头罩	HEAD COVER	
79	S36007001	4	螺栓 M8X55	BOLT, M8X55	
80	021080106	8	六角螺母 M8	NUT 1 M8	
81	025080336	4	平垫圈 L8	WASHER PLAIN L 8	
82	032461606	2	木螺钉 M4.5X16	WOOD SCREW ROUND 2 M4.5X16	
83	S44483001	1	铰链组件	HINGE ASSY	
84	S44484001	1	护眼板铰链	EYE GUARD HINGE	
88	S44485001	1	护眼板	EYE GUARD	
89	061300816	2	螺钉 M3X8	SCREW FLAT M3X8	
90	021300106	2	螺母 M3	NUT 1 M3	
91	026030236	2	垫圈 M3	WASHER PLAIN M 3	
92	SA4104001	1	护眼板架 A	EYE GUARD HOLDER, A	
93	062300506	2	螺钉 M3X5	SCREW PAN M3X5	
94	062400616	2	螺钉 M4X6	SCREW PAN M4X6	
95	026040136	2	平垫圈 S4	WASHER PLAIN S 4	
97	SA3395001	2	橡皮铰链	RUBBER CUSHION	
98	SA3392001	2	垫片	SPACER	
99	SA3384001	2	机头支承销	PIN	
100	012060636	2	螺钉 M6X6	SET SCREW SOCKET (FT) M6X6	
101	SA3385001	2	头部铰链座	HINGE HOLDER	
102	018065036	4	螺栓 M6X50	BOLT SOCKET M6X50	
103	213650001	4	垫圈 2.3X8.5X38	WASHER, 2.3X8.5X38ST	
104	017066002	1	螺栓 M6X60	BOLT M6X60	
105	021060106	4	螺母 M6	NUT 1 M6	
106	SA3540001	4	缓冲橡皮垫	RUBBER CUSHION	
107	SA4845001	1	缓冲器	SHOCK ABSORBER GAS	
108	SA4846001	2	缓冲器支架	HOLDER ABSORBER	
109	SA5251001	1	垫圈	SPACER	
110	018064031	1	螺栓 M6X40	BOLT SOCKET M6X40	
111	021060106	1	螺母 M6	NUT 1 M6	
112	SA4847001	1	轴 U	SHAFT U	
113	012060636	1	螺钉 M6X6	SET SCREW SOCKET (FT) M6X6	
114	S17974001	1	轴 D	SHAFT, D	
115	S17975100	2	轴套 GS	SHAFT COLLAR, GAS	
116	025080132	2	垫圈 S8	WASHER PLAIN S 8	
117	048060342	2	挡圈 E6	RETAINING RING E6	
118	SA3387001	2	螺栓 M6X75	BOLT SOCKET M6X75	
119	025060236	2	平垫圈 M6	WASHER PLAIN M 6	
120	213650001	2	垫圈 2.3X8.5X38	WASHER, 2.3X8.5X38ST	
121	028060246	2	弹簧垫圈 2-6	WASHER SPRING 2-6	
122	021060106	2	螺母 M6	NUT 1 M6	
			<电磁式>	<For Solenoid type>	
123	119755001	3	螺栓 M6X60	BOLT, M6X60	
124	025060236	3	平垫圈 M6	WASHER PLAIN M 6	
125	028060246	3	弹簧垫圈 2-6	WASHER SPRING 2-6	
126	021060106	3	螺母 M6	NUT 1 M6	
128	SA6261001	1	支架盖	HOLDER ABSORBER COVER	
129	S55479001	6	螺栓(带垫圈) M4X8	BOLT SOCKET (S/P WASHER) M4X8	
130	025060236	1	平垫圈 M6	WASHER PLAIN M6	

Wa. 警告标签 / Warning labels

警告标签 / Warning labels	零部件名称 / Name of parts	尺寸 / Size(mm)	零部件序号 / Code
	<p>感电标签(6国) Label, elec. shock 6 lang</p>	<p>50 X 118</p>	<p>J04115-001</p>
	<p>操作注意标签 (日 / 英) Label, caution Jpn / Eng</p>	<p>52 X 84</p>	<p>SA0792-001</p>
	<p>操作注意标签 (中 / 英) Label, caution Chn / Eng</p>	<p>52 X 84</p>	<p>SA0793-001</p>
	<p>警告标记 Mark, injury</p>	<p>L=25 R=1.2</p>	<p>S36924-002</p>
	<p>接地标记 Label, grounding</p>	<p>φ 12</p>	<p>S37060-001</p>
	<p>PE标记 Label, PE</p>	<p>7.5 X 12.5</p>	<p>S37059-001</p>

## Sp . 不同规格零部件一览表 / Different parts list

BAS-311G/326G 还预备了下列零部件，请在各种领域中使用。











The following are standard gauge parts according to each specification.

◎表中带有 ★ 号的零部件是与 KE-430C (电脑平缝打结机)，BE-438C (电脑平缝钉扣机) 通用的。

◎In the following table, parts marked with ★ are common with the KE-430D (Electronic Lockstitch Tacker) & BE-438D (Electronic Lockstitch Button sewer).

◎表中带有 ☆ 号的零部件是与 BAS-311F (程序式电脑缝纫机) 通用的。

◎In the following table, parts marked with ☆ are common with the BAS-311F (Electronic program Lock Stitcher).

名称 Part name	规格 Spec.	厚布料 Heavy-weight materials	中厚布料 Medium-weight materials
(J-66) 针孔板 Needle hole plate 		★ (φ2.4) SA3336-101	(φ2.2) SA5221-001
(E-35) 梭芯套组件 Bobbin case assy 		S59221-201 < LC > ★ ☆	
(E-36) 夹线簧 Tension spring 		S48664-001 ★ ☆	
(E-37) 螺钉 Screw 		S16492-101 ★ ☆	
(E-38) 防空转弹簧 Anti-spin spring 		S15667-001 ★ ☆	
(E-39) 梭芯 Bobbin 		S44633-001 < LAN >	
(E-42) 中旋梭组件 Shuttle hook assy, w/box 		★ ☆ SA1890-201 < LG >	★ ☆ SA2173-201 < LF >
(E-34) 外旋梭 Shuttle race base 		★ ☆ 152686-201 < B >	★ ☆ 152682-201 < A >
(G-30) 挑线弹簧 Spring, tension 		★ ☆ 107606-101	★ ☆ 104525-101
(G-9) 调节弹簧 Thread take-up spring 		★ ☆ 144588-201	★ ☆ 145519-201





Sp. 不同规格零部件一览表 / Different parts list

◎表中带有★号的零部件是与KE-430C(电脑平缝打结机), BE-438C(电脑平缝钉扣机)通用的。

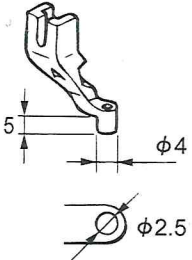
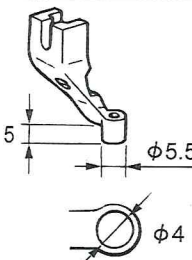
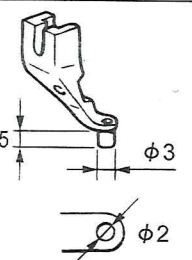
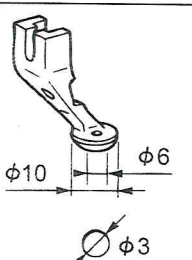
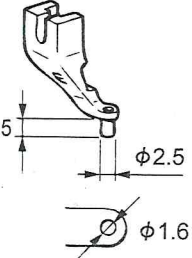

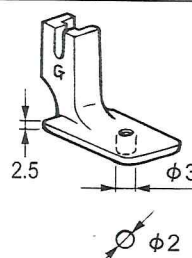
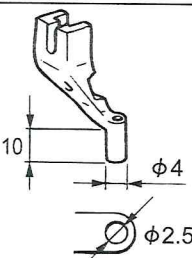
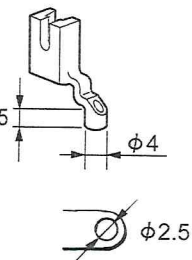
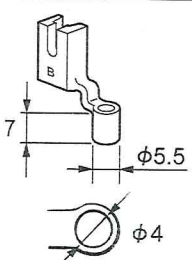
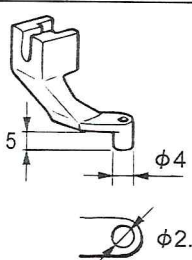
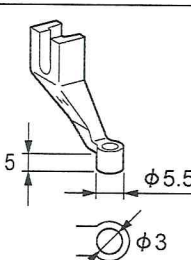
◎In the following table, parts marked with★ are common with the KE-430D (Electronic Lockstitch Tacker) & BE-438D (Electronic Lockstitch Button sewer).

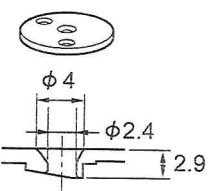
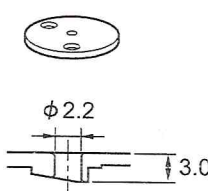
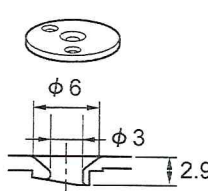
◎表中带有☆号的零部件是与BAS-311F(程序式电脑缝纫机)通用的。

◎In the following table, parts marked with☆ are common with the BAS-311F (Electronic program Lock Stitcher).

名称 Part name	规格 Spec.	厚布料 Heavy-weight materials	中厚布料 Medium-weight materials
(G-28) 弹簧 Spring, tension		SA4146-101 ★	
(G-20) 针杆线导向 Needle bar thread guide		SA3257-101 < A > ★	
(Z-13) 机针组件(4支装) Needle assy		SA1645-019 ★ ☆	SA1752-016 ★ ☆
(B-32, Z-14) 机针 Needle		DP×17 < #19 > 145646-019 ★ ☆	DP×5 < #16 > 107415-016 ★ ☆
(D-57) 压脚 Presser foot		SA4811-001 < H >	S42843-001 < A >

Ga . 工模具一览表 / Gauge parts list

压脚 / Presser foot			
A / S42843-001 *	B / S42844-001	C / S42845-001	D / S42846-001
			
E / S42847-001	F / 157237-001	G / 158592-001	J / S42848-001
			
A-CUT / S40214-001	B-L / S49448-001	XA / S42849-101	H / SA4811-001 *
			

针孔板 / Needle hole plate		
2.4 C0.4 / SA3336-001 *	2.2 / SA5221-001 *	3.0 C1.5 / SA5222-001 *
		

印有\*记号的为标准零部件  
The \* symbol is for Standard parts.

## 索引 / INDEX

CODE	REF.NO	Page	CODE	REF.NO	Page	CODE	REF.NO	Page	CODE	REF.NO	Page
004300513	A -16	2	012501031	C4 -34	14	021060306	J -32	32	048040342	L -12	38
012060536	B -52	4	014060632	Z -54	62		J -41	32	048050142	C4 -6	14
	C2 -54	8	014400632	S -3	52	021080106	Z -80	64	048050342	H -10	30
	C2 -59	8	014500632	S -16	52	021300103	A -19	2		H -19	30
	C3 -14	12	016061031	D2 -32	18	021300106	Z -90	64	048060142	C4 -9	14
	C3 -32	12		D2 -36	18	021400216	C2 -37	8	048060342	Z -117	64
	C4 -19	14		D3 -15	20	021400306	L -6	38	048070342	E -31	22
	D1 -55	16	017061216	D1 -12	16	021500106	R -16	50	048080142	C3 -11	12
	E -6	22	017065002	D1 -45	16		Z -43	62		C3 -29	12
012060636	B -24	4	017066002	Z -104	64		Z -50	62		C4 -16	14
	B -48	4	017400802	J -5	32		Z -55	62		D1 -29	16
	C1 -19	6		L -2	38	021500216	C3 -23	12		J -44	32
	C1 -29	6	017401415	L -5	38		C3 -47	12	048080342	C2 -8	8
	C2 -3	8	017501616	C3 -51	12		C4 -30	14		D2 -12	18
	C2 -6	8		C4 -40	14	025030236	J -65	34	048100142	C1 -17	6
	C2 -10	8	018061236	D2 -59	18		J -72	34		C3 -3	12
	C2 -16	8		D3 -29	20	025040236	C1 -36	6		D2 -28	18
	C3 -10	12	018062036	C2 -1	8		D2 -30	18		D3 -11	20
	C3 -19	12	018064031	Z -110	64		D3 -13	20	048420242	C1 -21	6
	C3 -28	12	018065036	Z -102	64		J -7	32	060400516	K -21	36
	C4 -3	14	018081636	R -14	50		K -10	36	061300616	C1 -6	6
	C4 -15	14	018300636	C1 -5	6		L -4	38		C1 -8	6
	D1 -14	16	018301436	C1 -3	6	025050236	C1 -24	6		C1 -34	6
	D1 -24	16	018400636	D2 -39	18		C3 -35	12	061300816	Z -89	64
	D1 -30	16		D3 -18	20		C3 -52	12	062060816	F -33	24
	D1 -36	16		F -10	24		C4 -41	14	062061016	A -7	2
	D2 -10	18		R -8	50		L -13	38		A -9	2
	D2 -13	18	018400836	C1 -10	6		R -13	50		A -13	2
	D2 -25	18		C2 -13	6	025050336	R -17	50		F -3	24
	D2 -33	18		C2 -21	8	025060236	Z -119	64		H -37	30
	D2 -37	18		D1 -48	16		Z -124	64		Z -3	62
	D2 -41	18		K -9	36		Z -130	64	062300416	C2 -48	8
	D2 -57	18	018401036	C2 -52	8		Z -116	64		D1 -20	16
	D3 -8	20		C2 -57	8	025080132	Z -81	64		J -64	34
	D3 -16	20		C2 -68	10	025080336	Z -81	64		J -73	34
	D3 -20	20		D2 -2	18	025100132	C1 -16	6	062300506	A -38	2
	D3 -34	20		D2 -23	18	025350332	A -35	2		Z -93	64
	D3 -35	20		D3 -6	20	026030136	E -21	22	062300616	E -22	22
	E -9	22	018401636	B -27	4	026030236	Z -91	64		K -7	36
	E -13	22	018402036	C1 -31	6	026040136	Z -95	64		V1 -5	58
	E -30	22		C1 -35	6	028030246	J -71	34	062300816	Q -6	48
	G -23	28		C2 -23	8	028040246	C1 -37	6	062350616	H -8	30
	J -45	32	018500836	C3 -34	12		F -66	26	062400416	C2 -28	8
	J -54	32	018501036	C2 -66	10		J -6	32		C2 -49	8
	Z -100	64		D2 -20	18		L -3	38		D2 -5	18
	Z -113	64		D3 -3	20	028050246	C3 -36	12	062400616	D1 -6	16
012400436	D1 -25	16	018501232	E -33	22		C3 -53	12		D2 -29	18
	D1 -31	16	018501236	J -48	32		C4 -42	14		D2 -54	18
	H -17	30	018501636	B -3	4		J -49	32		D2 -56	18
	H -24	30		B -49	4		P -13	46		D3 -12	20
	J -9	32		C1 -23	6		Z -42	62		D3 -27	20
012500536	B -21	4	018503036	P -14	46	028060246	Z -121	64		F -5	24
	B -36	4	021060106	D1 -10	16		Z -125	64		F -12	24
	B -43	4		D1 -46	16	032421302	V2 -14	60		F -35	24
	D2 -46	18		J -23	32	032422003	P -20	46		F -65	26
	D2 -51	18		J -34	32	032461606	Z -82	64		Z -94	64
	D3 -25	20		J -39	32	037300816	V2 -7	60	062400816	B -22	4
	E -11	22		Z -105	64	037301215	Z -6	62		B -34	4
	E -41	22		Z -111	64	047401242	B -41	4	062401006	A -24	2
	H -3	30		Z -122	64	048030342	K -19	36		B -46	4
	H -36	30		Z -126	64	048040142	C3 -6	12		B -51	4
012501031	C3 -46	12	021060306	D1 -41	16	048040342	J -20	32		C2 -27	8
	C4 -29	14		J -25	32		K -12	36		F -45	24

## 索引 / INDEX

CODE	REF.NO	Page	CODE	REF.NO	Page	CODE	REF.NO	Page	CODE	REF.NO	Page
062401216	H -13	30	117934001	A -4	2	154596000	J -30	32	S10112001	D1 -52	16
062500616	G -2	28	118064001	Z -27	62	154599000	J -10	32	S10268001	H -27	30
	G -4	28	118208001	D2 -14	18		L -8	38	S10408000	R -15	50
	G -6	28	118550001	D3 -32	20	156112003	Z -39	62	S10438001	H -18	30
	H -30	30	118735001	C2 -63	10	157237001	Ga	68	S10470101	K -20	36
	V1 -8	58	118837001	Z -18	62	158592001	Ga	68	S12441001	G -29	28
062501406	Z -53	62	119755001	Z -123	64	159163000	D3 -30	20		H -35	30
062670412	G -26	28	120265002	A -27	2	159224001	G -19	28	S12699000	G -16	28
070696800	D2 -44	18	120448001	H -23	30	159486001	H -9	30	S13399001	D1 -58	16
	D2 -49	18	122991001	Z -10	62		H -25	30	S15667001	Sp	66
	D3 -23	20	138843001	Z -49	62	159805001	G -12	28	S16492101	Sp	66
076000600	C1 -15	6	141362001	D1 -34	16	200190001	V2 -15	60	S17974001	Z -114	64
076806606	C1 -20	6	142002001	Z -24	62		Z -76	64	S17975100	Z -115	64
081003670	E -15	22	142211001	B -25	4	213650001	Z -103	64	S20164001	A -33	2
081007070	L -17	38	142274101	F -47	24		Z -120	64		A -42	2
0A4261005	S -8	52	142443001	Z -17	62	218859001	L -18	38	S20356001	C1 -26	6
0A4300605	V2 -6	60	142721001	Z -26	62		Q -18	48		D2 -11	18
0A4300805	S -6	52	142990001	Z -47	62	228475000	P -27	46		D2 -52	18
	S -14	52	142997001	Z -36	62	231071001	J -27	32	S23418001	C2 -62	10
	V2 -9	60	144226001	Z -78	64	525567000	F -39	24	S23418002	H -15	30
	V2 -13	60	144458001	B -29	4		F -55	24	S23651001	B -8	4
0A4401005	S -12	52	144588201	Sp	66		Q -1	48		B -11	4
0A5300606	S -10	52	145446001	G -13	28	525664000	F -41	24		B -14	4
0A5301605	Q -8	48		G -18	28		P -25	46		B -17	4
0A5401005	P -26	46	145446002	H -32	30	537060001	M1 -12	40		B -44	4
0A5401006	C2 -33	8	145465001	B -23	4	552907000	F -61	26		D1 -5	16
	F -40	24	145519201	Sp	66	554482000	Q -15	48		D1 -15	16
	F -42	24	145547001	F -34	24	616167001	M2 -12	42		E -8	22
	Q -4	48	145646019	Sp	67	623033000	D1 -4	16		H -39	30
	Q -9	48	146288001	K -22	36	625010000	V1 -9	58		J -2	32
	Q -14	48	146354002	J -50	32	J03955001	S -2	52		J -26	32
	Q -17	48	148847001	P -21	46	J03956001	S -4	52	S23849001	C2 -36	8
	V1 -10	58	149097000	K -16	36	J03957001	S -5	52		C3 -38	12
100136001	G -27	28	149287000	Q -3	48	J03958001	S -7	52		C4 -21	14
100360003	J -67	34	149547000	F -38	24	J04115001	M1 -11	40	S25235001	B -15	4
100401022	H -33	30		Q -2	48		Wa	65	S25279001	K -14	36
100402004	G -14	28	149796001	P -16	46	J04230001	S -11	52	S25310101	D1 -37	16
100887001	Z -21	62	150172003	Z -37	62	J04303001	S -15	52		F -69	26
101572102	Z -19	62	150173003	Z -40	62	J04388001	S -13	52		J -68	34
102630001	D2 -8	18	150174000	Z -38	62	J04488001	S -9	52	S25454001	K -13	36
102707002	L -7	38	150179002	Z -41	62	J80991001	S -1	52	S25456001	K -4	36
104449001	A -11	2	150182000	Z -31	62	S00400000	F -52	24	S25475101	J -33	32
104525101	Sp	66	150183000	Z -46	62	S00470000	Q -16	48	S25634101	R -12	50
104567101	F -18	24	150185009	Z -48	62	S00705001	J -61	34	S31032001	G -11	28
104821001	A -5	2	150206002	Z -33	62	S02429201	E -17	22		H -34	30
	D3 -31	20	150335001	Z -28	62	S02445001	A -34	2	S32462001	D1 -44	16
107415016	Sp	67	151439102	D1 -59	16	S02652001	J -11	32		J -24	32
107606101	Sp	66	152682201	Sp	66	S02778002	Z -44	62		J -31	32
107779001	Z -20	62	152684101	E -20	22	S02787002	Z -45	62		J -40	32
107780001	Z -22	62	152686201	Sp	66	S03677001	K -23	36	S32465001	J -22	32
109714000	Z -8	62	152744001	D2 -7	18	S04109001	Z -35	62		J -38	32
109763001	D2 -45	18	152881001	G -22	28	S04159000	J -12	32	S32557000	E -43	22
	D2 -50	18	152883000	G -24	28		L -10	38	S35079000	D2 -35	18
	D3 -24	20	152884001	G -25	28		Q -19	48	S36007001	Z -79	64
110367001	B -18	4	152936001	H -6	30		Q -21	48	S36260000	T -5	54
	C3 -12	12	152937001	H -7	30	S04891000	P -8	46		V2 -21	60
	C3 -30	12	152948001	F -20	24	S06706001	Z -11	62	S36475000	A -29	2
	C4 -17	14	153049001	G -7	28	S07350002	A -28	2	S36924002	A -30	2
110735001	K -18	36	153050000	E -23	22	S07459100	F -15	24		Wa	65
111466101	D1 -56	16	153252000	P -7	46		F -22	24	S37037001	Z -52	62
114483002	Z -15	62	153274001	P -11	46	S07783001	Z -23	62		Z -56	62
114486002	Z -9	62	154125001	Z -25	62	S09043000	F -27	24	S37038001	Z -51	62
117608001	A -2	2	154467001	Z -5	62	S09228000	P -6	46	S37059001	M1 -13	40

索引 / INDEX

CODE	REF.NO	Page	CODE	REF.NO	Page	CODE	REF.NO	Page	CODE	REF.NO	Page
S37059001	Wa	65	S55484002	C3 -55	12	SA3294001	H -14	30	SA3769001	M2 -7	42
S37060001	A -32	2		C4 -39	14	SA3295001	H -16	30	SA3770001	M2 -8	42
	Wa	65		C4 -44	14	SA3296001	H -21	30	SA3771001	M2 -9	42
S38168001	T -3	54		J -13	32	SA3297001	H -22	30	SA3789101	N -11	44
S38170001	T -4	54	S55485001	C3 -45	12	SA3298001	H -28	30	SA3794001	M2 -10	42
	V2 -17	60		C4 -28	14	SA3299001	H -29	30	SA3795001	M2 -11	42
S38174000	T -6	54		C4 -33	14	SA3301101	J -1	32	SA3796001	M1 -15	40
	V2 -18	60		K -25	36	SA3306001	A -26	2	SA3797001	M1 -4	40
S38175001	T -7	54	S55663001	Z -16	62		J -15	32	SA3806001	M1 -10	40
S38175101	V2 -19	60	S59221201	Sp	66		L -16	38	SA3808001	M1 -3	40
S38176101	T -8	54	S59886001	E -29	22	SA3307001	J -8	32	SA3809001	N -8	44
	V2 -20	60	SA0792001	A -31	2	SA3309101	J -16	32	SA3812001	N -7	44
S38265000	F -46	24		Wa	65	SA3310001	J -17	32	SA3813001	N -1	44
S38648001	Z -34	62	SA0793001	A -31	2	SA3311001	J -18	32	SA3816001	N -6	44
S38713100	B -33	4		Wa	65	SA3312001	J -28	32	SA3819001	N -3	44
S39116100	P -3	46	SA1174001	D1 -49	16	SA3313101	J -29	32	SA3822001	N -2	44
S40214001	Ga	68	SA1175001	D1 -50	16	SA3315001	J -21	32	SA3823001	N -5	44
S40574209	Z -29	62	SA1645019	Sp	67	SA3317001	J -36	32	SA3824001	N -14	44
S41205001	K -3	36	SA1752016	Sp	67	SA3319101	J -42	32	SA3825001	N -4	44
S41206001	K -2	36	SA1890201	Sp	66	SA3320101	J -46	32	SA3826001	N -9	44
S42446001	A -37	2	SA1967001	K -11	36	SA3321001	J -47	32	SA3827001	N -10	44
	C2 -39	8	SA1984001	H -12	30	SA3324001	J -51	32	SA3828001	N -13	44
	C2 -43	8	SA1988001	H -26	30	SA3325001	J -52	32	SA3831001	R -2	50
	C2 -60	8	SA1994101	H -31	30	SA3327101	J -55	32	SA3833101	R -3	50
S42843001	Sp	67	SA2161001	D1 -28	16	SA3330101	J -58	34	SA4104001	Z -92	64
	Ga	68	SA2173201	Sp	66	SA3334001	J -62	34	SA4143001	G -15	28
S42844001	Ga	68	SA2195001	D1 -54	16	SA3335001	J -63	34	SA4146001	G -28	28
S42845001	Ga	68	SA2287001	K -15	36	SA3336001	Ga	68	SA4146101	Sp	67
S42846001	Ga	68	SA2663001	D1 -40	16	SA3336101	Sp	66	SA4171001	H -5	30
S42847001	Ga	68	SA2958001	B -20	4	SA3347001	L -11	38	SA4172001	B -4	4
S42848001	Ga	68	SA2972001	C2 -22	8	SA3348001	L -14	38	SA4173001	B -4	4
S42849101	Ga	68	SA3200101	A -23	2	SA3349001	L -15	38	SA4174001	B -4	4
S43225000	V2 -4	60	SA3206001	B -5	4	SA3384001	Z -99	64	SA4175001	B -4	4
S43236009	R -9	50		B -9	4	SA3385001	Z -101	64	SA4177001	B -10	4
S43674000	R -10	50	SA3224001	B -31	4	SA3387001	Z -118	64	SA4178001	B -13	4
S43675000	R -11	50	SA3226001	E -1	22	SA3392001	Z -98	64	SA4179001	B -6	4
S44010001	A -40	2	SA3227001	D1 -42	16	SA3395001	Z -97	64	SA4180001	B -7	4
S44483001	Z -83	64		E -2	22	SA3438001	D2 -16	18	SA4199001	E -18	22
S44484001	Z -84	64	SA3228101	E -3	22	SA3441001	D2 -43	18	SA4224001	C2 -64	10
S44485001	Z -88	64	SA3231001	C3 -13	12		D2 -48	18		D2 -58	18
S44633001	Z -12	62		C3 -31	12		D3 -22	20		D3 -28	20
	Sp	66		C4 -18	14	SA3481001	Q -7	48	SA4302001	D1 -9	16
S44924001	F -57	24		E -5	22	SA3499001	B -2	4	SA4333001	G -3	28
S46903001	J -19	32	SA3233001	E -7	22	SA3503201	F -8	24	SA4354001	J -56	32
S47307001	F -59	24	SA3238101	E -14	22	SA3504201	F -9	24	SA4510001	N -12	44
S48189000	F -29	24	SA3241001	E -19	22	SA3519101	T -1	54	SA4518001	J -59	34
S48664001	Sp	66	SA3242001	F -56	24	SA3528001	B -26	4	SA4519001	J -60	34
S49448001	Ga	68	SA3244001	F -1	24		J -69	34	SA4545001	J -43	32
S49484000	M1 -9	40	SA3246001	F -30	24	SA3540001	Z -7	62	SA4546001	J -35	32
S49957000	F -36	24	SA3250001	G -1	28		Z -106	64	SA4556001	M1 -5	40
S49982000	F -28	24	SA3254001	G -8	28	SA3581001	M1 -14	40	SA4563001	R -4	50
S49992000	F -19	24	SA3255001	G -10	28	SA3707001	C2 -53	8	SA4594001	A -1	2
S50529000	F -21	24	SA3256001	G -17	28		C2 -58	8	SA4596001	A -3	2
S51282101	Z -32	62	SA3257101	Sp	67	SA3720001	M1 -2	40	SA4597001	A -6	2
S51283001	Z -30	62	SA3258001	G -21	28	SA3722001	M1 -8	40	SA4598001	A -8	2
S53175000	F -24	24	SA3264001	A -17	2	SA3739301	M1 -6	40	SA4600001	A -10	2
S53982000	P -23	46	SA3274101	F -58	24	SA3744001	M1 -7	40	SA4601001	A -12	2
S55479001	C4 -13	14	SA3280001	F -31	24	SA3755201	M2 -1	42	SA4603101	A -14	2
	Z -129	64	SA3283101	E -40	22	SA3762001	M2 -5	42	SA4604001	A -25	2
S55482001	C3 -40	12	SA3284101	E -32	22	SA3765001	M2 -2	42	SA4605001	A -36	2
	C4 -23	14	SA3290001	H -2	30	SA3766001	M2 -3	42	SA4606001	B -1	4
S55484002	C2 -42	8	SA3291001	H -4	30	SA3767001	M2 -4	42	SA4608101	B -12	4
	C3 -50	12	SA3293001	H -11	30	SA3768001	M2 -6	42	SA4609101	B -16	4



## 索引 / INDEX

CODE	REF.NO	Page	CODE	REF.NO	Page	CODE	REF.NO	Page	CODE	REF.NO	Page
SA4622001	B -28	4	SA4694001	C3 -18	12	SA4764001	D1 -11	16	SA4864001	C4 -22	14
SA4624001	B -42	4	SA4695001	C3 -20	12	SA4765001	D1 -13	16	SA4866101	C3 -49	12
SA4626001	B -37	4	SA4696001	C3 -15	12	SA4766001	D1 -16	16	SA4868101	C4 -37	14
SA4627001	B -38	4	SA4697001	C3 -17	12	SA4767001	D1 -17	16	SA4869101	C4 -38	14
SA4628001	B -39	4	SA4698001	C3 -21	12	SA4768001	D1 -18	16	SA4870101	C4 -45	14
SA4629001	B -40	4	SA4699001	C3 -33	12	SA4769101	D1 -19	16	SA4871101	C4 -46	14
SA4630001	B -45	4	SA4700001	C3 -22	12	SA4770001	D1 -21	16	SA5072001	F -25	24
SA4635101	C1 -4	6	SA4701001	C3 -24	12	SA4771001	D1 -27	16	SA5134001	V2 -12	60
SA4636101	C1 -7	6	SA4702001	C3 -25	12	SA4772001	D1 -22	16	SA5135001	J -4	32
SA4637001	C1 -2	6	SA4703001	C3 -26	12	SA4773001	D1 -23	16	SA5157001	J -57	34
SA4638001	C1 -18	6	SA4706101	C3 -43	12	SA4775001	D1 -38	16	SA5158001	B -47	4
SA4639001	C1 -14	6		C4 -26	14	SA4776001	D1 -43	16	SA5164001	U -1	56
SA4640001	C1 -12	6	SA4708001	C3 -44	12	SA4777001	D1 -26	16	SA5165001	U -2	56
SA4641001	C1 -9	6	SA4709001	C3 -48	12	SA4778001	D1 -47	16	SA5166001	U -3	56
SA4642001	C1 -22	6		C4 -31	14	SA4779001	D1 -32	16	SA5167001	U -7	56
SA4643001	C1 -25	6		C4 -36	14	SA4780001	D1 -35	16	SA5168001	U -6	56
SA4647001	C1 -27	6	SA4712001	C3 -41	12	SA4781001	D1 -33	16	SA5170001	U -4	56
	C2 -4	8		C4 -24	14	SA4782001	E -4	22	SA5172001	U -5	56
	C2 -7	8	SA4714001	C3 -42	12	SA4783101	E -10	22	SA5191001	P -15	46
	C2 -14	8		C4 -25	14	SA4785001	F -2	24	SA5192001	P -30	46
	D2 -27	18	SA4715001	C3 -54	12	SA4786101	F -7	24	SA5193001	V1 -1	58
	D3 -10	20		C4 -43	14	SA4787001	F -4	24	SA51930E1	V1 -1	58
SA4648001	C1 -28	6	SA4717001	C4 -2	14	SA4788001	F -11	24	SA5194001	V1 -7	58
SA4649001	C1 -11	6	SA4719001	C4 -5	14	SA4789101	F -32	24	SA5201001	V2 -1	60
SA4650001	C1 -30	6	SA4720001	C4 -7	14	SA4791101	F -37	24	SA52010E1	V2 -1	60
SA4651101	C1 -32	6	SA4721001	C4 -8	14	SA4795001	H -1	30	SA5202001	V2 -2	60
SA4652101	C1 -33	6	SA4722001	C4 -10	14	SA4796001	H -20	30	SA52020E1	V2 -2	60
SA4653001	C2 -2	8	SA4723001	C4 -11	14	SA4797101	H -38	30	SA5203001	V2 -5	60
SA4654001	C2 -5	8	SA4724001	C4 -12	14	SA4798001	J -3	32	SA5204001	V2 -8	60
SA4655101	C2 -9	8	SA4725001	C4 -27	14	SA4799001	J -14	32	SA5205001	V2 -10	60
	C2 -15	8	SA4726001	C4 -32	14	SA4801001	J -37	32	SA5206001	V2 -11	60
SA4658001	C2 -11	8	SA4729001	D2 -1	18	SA4802001	J -53	32	SA5208001	K -1	36
SA4659001	C2 -12	8	SA4731001	D2 -3	18	SA4806001	K -6	36	SA5210001	Q -11	48
SA4661001	C2 -13	8	SA4734001	D2 -4	18	SA4811001	Sp	67	SA5213001	K -24	36
SA4662001	C2 -17	8	SA4736001	D2 -6	18		Ga	68	SA5214001	Q -12	48
SA4663001	C2 -18	8	SA4737001	D2 -9	18	SA4816001	V1 -2	58	SA5217001	K -5	36
SA4664001	C2 -19	8	SA4738001	D2 -15	18	SA48160E1	V1 -2	58	SA5218001	K -8	36
SA4665001	C2 -20	8	SA4739001	D2 -17	18	SA4817001	V1 -3	58	SA5219001	K -17	36
SA4666001	B -30	4	SA4741101	D2 -18	18	SA4818001	V1 -4	58	SA5221001	Sp	66
SA4667101	C2 -24	8		D3 -1	20	SA4819001	V1 -6	58		Ga	68
SA4671001	C2 -25	8	SA4742001	D2 -19	18	SA4820201	C2 -50	8	SA5222001	Ga	68
SA4672001	C2 -26	8		D3 -2	20	SA4823101	C2 -55	8	SA5229101	C1 -1	6
SA4673001	C2 -32	8	SA4743001	D2 -24	18	SA4824001	Q -10	48	SA5230001	B -50	4
SA4675201	C2 -34	8		D3 -7	20	SA4826201	D2 -21	18	SA5251001	Z -109	64
SA4676001	C2 -38	8	SA4744001	D2 -26	18		D3 -4	20	SA5261001	Q -13	48
SA4677101	C2 -35	8		D3 -9	20	SA4828001	D2 -22	18	SA5281001	P -1	46
SA4679101	C2 -44	8	SA4745001	D2 -31	18		D3 -5	20	SA5282001	P -5	46
SA4680101	C2 -45	8		D3 -14	20	SA4830001	Q -5	48	SA5283001	P -4	46
SA4681001	C2 -46	8	SA4746001	D2 -34	18	SA4834001	R -1	50	SA5285001	P -9	46
SA4682001	C2 -47	8	SA4747001	D2 -38	18	SA4836001	R -7	50	SA5286001	P -12	46
SA4684001	C2 -51	8		D3 -17	20	SA4837001	R -5	50	SA5288001	P -24	46
	C2 -56	8	SA4748001	D2 -40	18	SA4841001	R -6	50	SA5289001	P -2	46
SA4686101	C3 -1	12		D3 -19	20	SA4842001	Z -1	62	SA5290001	P -22	46
	C4 -1	14	SA4750001	D2 -47	18	SA4844001	Z -4	62	SA5292101	F -23	24
SA4687101	C3 -2	12	SA4752001	D2 -53	18	SA4845001	Z -107	64	SA5294001	F -6	24
SA4688001	C3 -4	12	SA4753001	D2 -55	18	SA4846001	Z -108	64	SA5300001	D1 -51	16
SA4689001	C3 -5	12		D3 -26	20	SA4847001	Z -112	64	SA5301001	D1 -53	16
SA4690001	C3 -7	12	SA4757101	D3 -33	20	SA4852001	C4 -47	14	SA5339101	F -54	24
SA4691001	C3 -8	12	SA4759001	D1 -1	16	SA4853001	D1 -39	16	SA6038001	T -2	54
SA4692001	C3 -9	12	SA4760001	D1 -2	16	SA4855001	L -1	38	SA6087001	F -17	24
	C3 -27	12	SA4761001	D1 -7	16	SA4863001	C3 -37	12	SA6108001	B -35	4
	C4 -14	14	SA4762001	D1 -8	16		C4 -20	14	SA6182001	B -19	4
SA4693001	C3 -16	12	SA4763001	D1 -3	16	SA4864001	C3 -39	12	SA6194001	A -39	2

## 索引 / INDEX

CODE	REF.NO	Page	CODE	REF.NO	Page	CODE	REF.NO	Page	CODE	REF.NO	Page
SA6207001	A -18	2									
SA6210001	D2 -42	18									
	D3 -21	20									
SA6211001	F -43	24									
SA6216001	E -12	22									
SA6220001	E -16	22									
SA6260001	F -51	24									
SA6261001	Z -128	64									
SA6263001	F -50	24									
SA6272001	A -15	2									
SA6273001	J -70	34									
SA6306001	C2 -61	8									
SA6359001	C2 -29	8									
SA6360001	C2 -30	8									
SA6361001	C2 -31	8									
SA6364001	M1 -1	40									
SA6389001	L -9	38									
SA6391001	G -5	28									
SA6397001	J -62	34									
SA6398001	J -62	34									
SA6405001	P -17	46									
SA6405002	P -28	46									
SA6406001	P -18	46									
SA6406002	P -29	46									
SA6407001	P -19	46									
SA6434001	C2 -40	8									
SA6435001	C2 -41	8									
SA6441001	A -41	2									
SA6450101	C2 -65	10									
SA6451101	C2 -67	10									
SA6495001	V2 -16	60									
SA64950E1	V2 -16	60									
SA6560101	Q -20	48									
SA6572001	F -62	26									
SA6573001	P -10	46									
SA6576001	F -16	24									
SA6577001	F -60	26									
SA6578001	F -26	24									
SA6579001	F -53	24									
SA6580001	F -14	24									
SA6581001	F -63	26									
SA6582001	F -67	26									
SA6583001	F -64	26									
SA6584001	F -68	26									
SA6593001	F -13	24									
SA6628001	V2 -3	60									